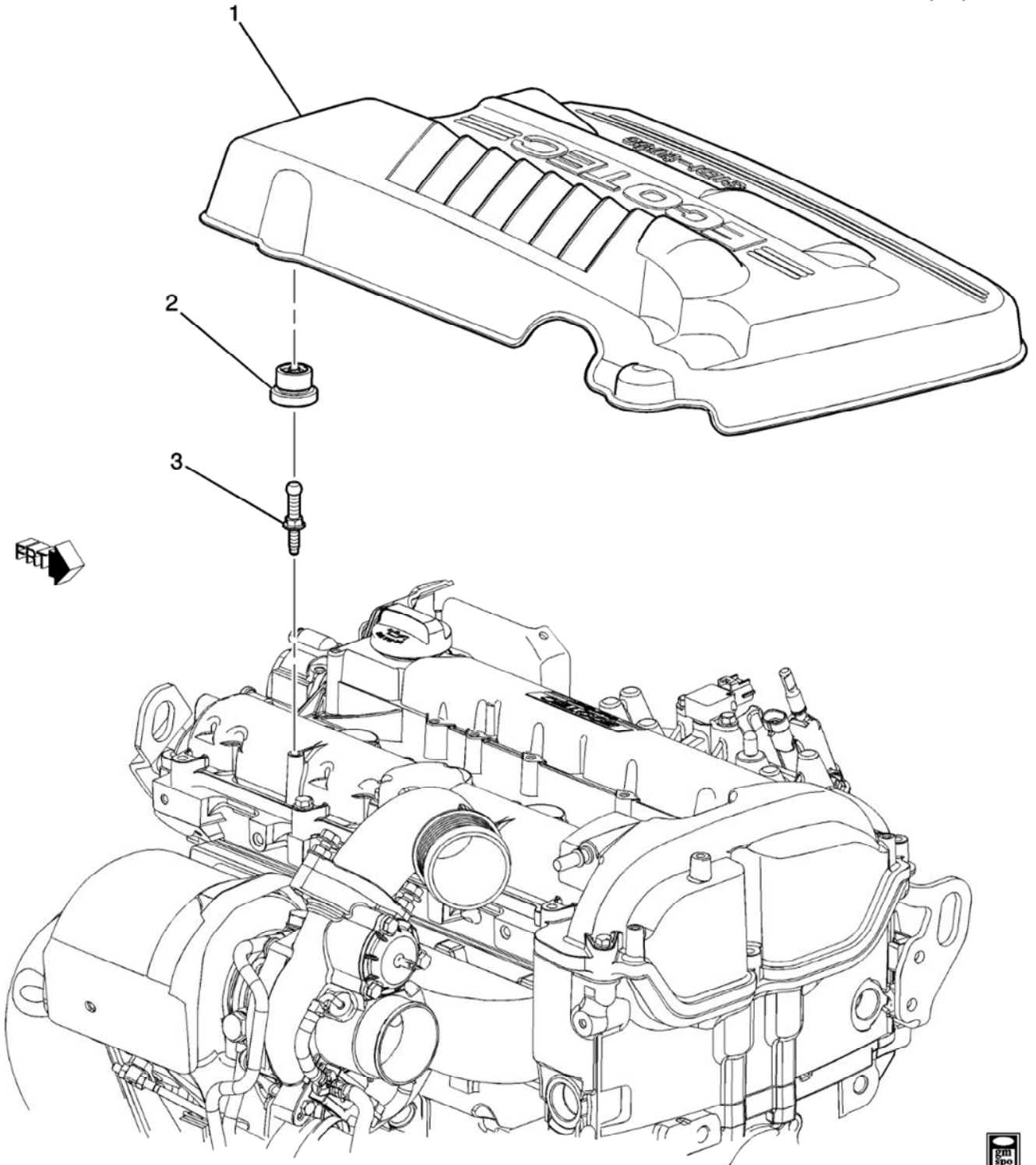


P - Pontiac>2009>M - 2M9 - Solstice>00 - 4-CYLINDER ENGINE>(2M00-011) 2007-2010 M INTAKE MANIFOLD SHIELD/COVERS (LNF/2.0X)

 Single Use Part

2M00-011 10/25/2006



Make: Pontiac

Year: 2009

Model: Solstice

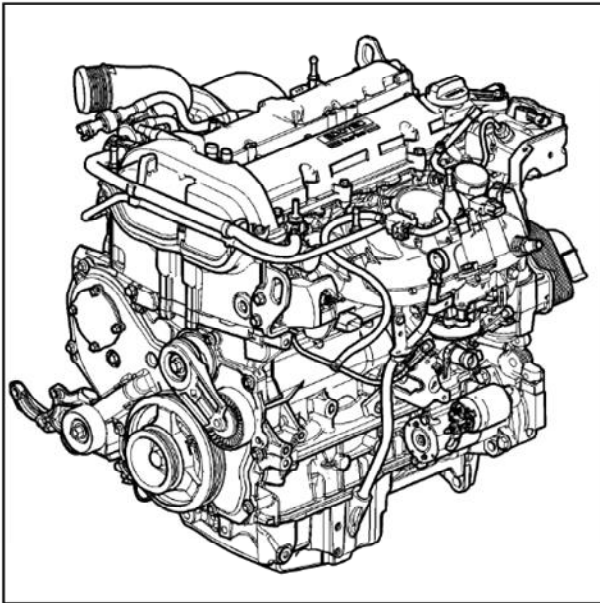
P - Pontiac>2009>M - 2M9 - Solstice>00 - 4-CYLINDER ENGINE>(2M00-011) 2007-2010 M INTAKE MANIFOLD SHIELD/COVERS (LNF/2.0X)

Call	Part #	Group	H	Description	Usage	Year	Qty
1	12626018	03.265		COVER, INT MANIF (INCLS 2) (VERY DARK GRAY W/INSULATION) (MAY HAVE TO REMOVE INSULATOR TO FIT 2009 & PRIOR) (Service Lane Part)	M (LNF)	2007 - 2009	01
1	12626018	03.330		COVER, INT MANIF (INCLS 2) (VERY DARK GRAY W/INSULATION) (3.265) (MAY HAVE TO REMOVE INSULATOR TO FIT 2009 & PRIOR) (Service Lane Part)	M (LNF)	2007 - 2009	01
1	12628510	03.265		COVER, INT MANIF (INCLS 2) (BLACK COLOR COVER) (Service Lane Part)	M (LNF)	2009 - 2010	01
1	12628510	03.330		COVER, INT MANIF (INCLS 2) (BLACK COLOR COVER) (3.265) (Service Lane Part)	M (LNF)	2009 - 2010	01
2	12606862	03.265		GROMMET, UPR INT MANIF SIGHT SHLD (PART OF 1) (32MM OD) (Service Lane Part)	M (LNF)	2007 - 2009	02
3	11609319	03.275		STUD, UPR INT MANIF SIGHT SHLD (M6X1X20.65) (3.671) (Service Lane Part)	M (LNF)	2007 - 2010	04

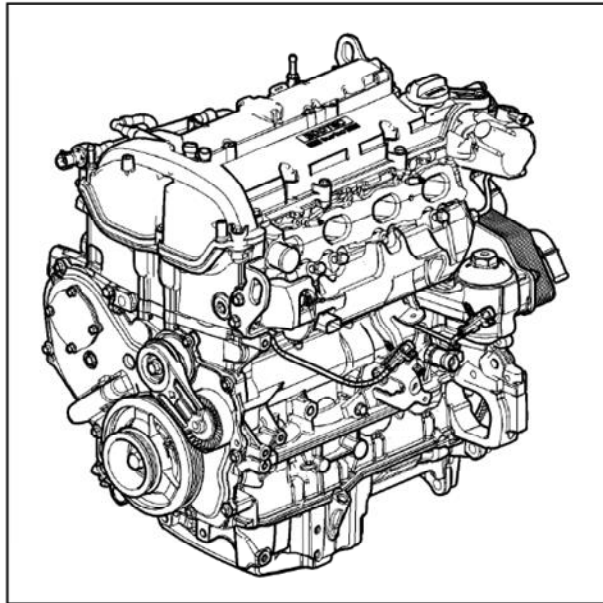
P - Pontiac>2009>M - 2M9 - Solstice>00 - 4-CYLINDER ENGINE>(2M00-013) 2007-2010 M ENGINE ASM & PARTIAL ENGINE (LNF/2.0X)

 = Single Use Part

2M00-013 04/25/2006



1



2

Make: Pontiac

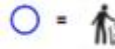
Year: 2009

Model: Solstice

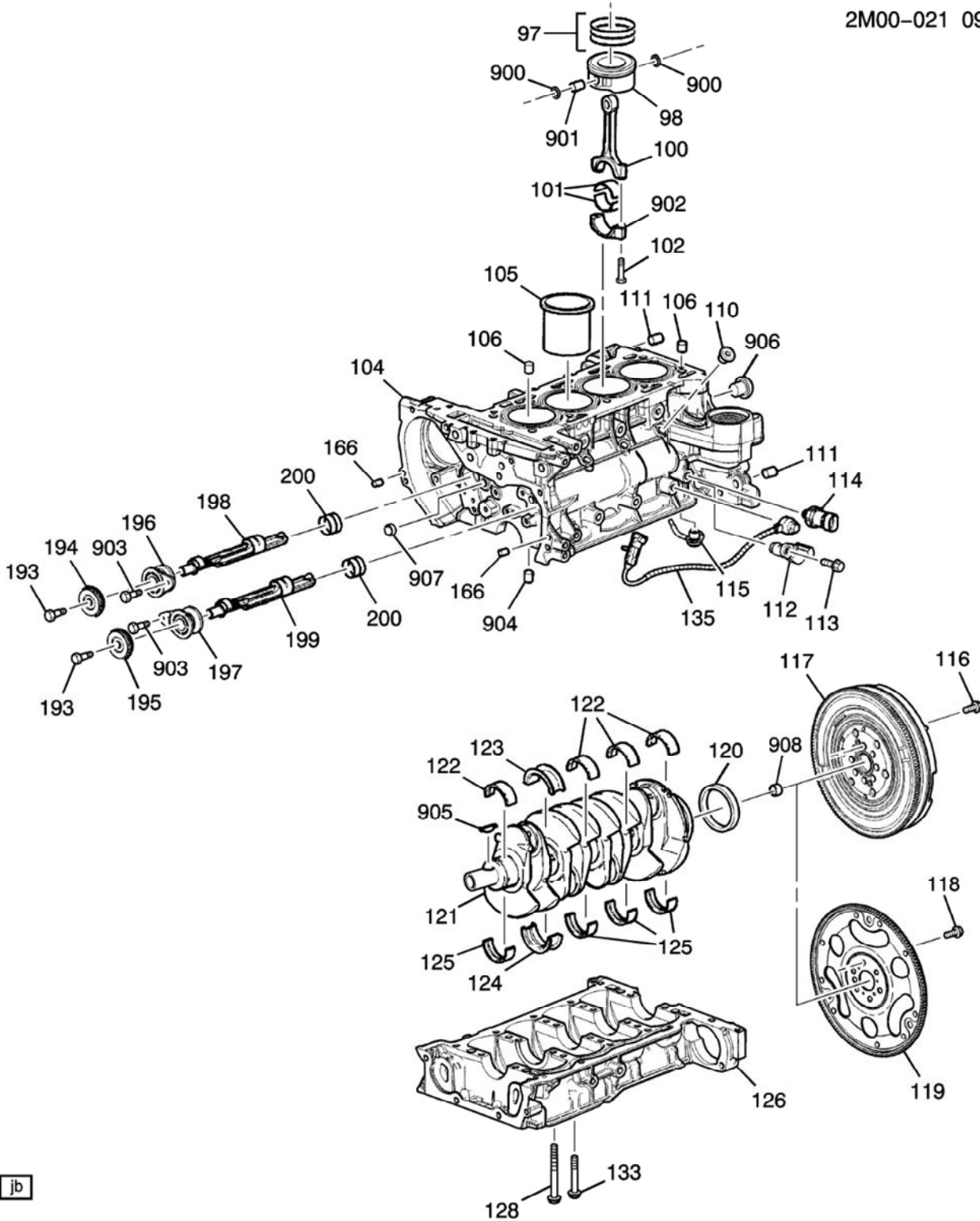
P - Pontiac>2009>M - 2M9 - Solstice>00 - 4-CYLINDER ENGINE>(2M00-013) 2007-2010 M ENGINE ASM & PARTIAL ENGINE (LNF/2.0X)

Call	Part #	Group	H	Description	Usage	Year	Qty
1		NS		ENGINE, 2.0 L (122 CID)		2007 - 2010	
2		00.000		ENGINE, GASOLINE (SERV)		2007 - 2010	
2		00.000		ENGINE, GASOLINE		2007 - 2010	
2		00.033		ENGINE, (SERV PARTIAL)		2007 - 2010	
2	19329341	00.000A		ENGINE, GASOLINE (SERV NEW) (CONTENT BASED ON 2010 HHR W/AUTO TRANS; OTHER LNF APPLS MAY NEED CR/SHF BALR SEE INST SHEET W/ENGINE FOR DETAILS)	M (LNF)	2009 - 2010	01

P - Pontiac>2009>M - 2M9 - Solstice>00 - 4-CYLINDER ENGINE>(2M00-021) 2007-2010 M ENGINE ASM-2.0L L4 PART 1 CYLINDER BLOCK & INTERNAL PARTS (LNF/2.0X)

 Single Use Part

2M00-021 09/09/2008



Make: Pontiac

Year: 2009

Model: Solstice

P - Pontiac>2009>M - 2M9 - Solstice>00 - 4-CYLINDER ENGINE>(2M00-021) 2007-2010 M ENGINE ASM-2.0L L4 PART 1 CYLINDER BLOCK & INTERNAL PARTS (LNF/2.0X)



Call	Part #	Group	H	Description	Usage	Year	Qty
97	89018107	00.643		RING KIT, PSTN (STD) (Service Lane Part)	M (LNF)	2007 - 2010	04
98	89018108	00.629		PISTON, (W/PIN) (INCLS 900,901) (STD) (PISTON SHAPE MODIFIED TO INCREASE STRUCTURE STRENGTH) (KIT ONLY SERVICES ONE CYLINDER) (Service Lane Part)	M (LNF)	2007 - 2010	04
100	12654957	00.603		ROD, CONN (INCLS 102,902) (IF REPLACING 12589414, MUST REPLACE AS SET OF 4 ONLY) (Service Lane Part)	M (LNF)	2007 - 2009	04
101	12591093	00.616		BEARING KIT, CONN ROD (STANDARD SIZE, FULL SET) (Service Lane Part)	M (EXC CV2)	2007 - 2010	01
101	19300927	00.616		BEARING KIT, CONN ROD (STANDARD SIZE, FULL SET) (Service Lane Part)	M (CV2)	2007 - 2010	01
102	11570825	00.623		BOLT, CONN ROD (PART OF 100) (M9X1X44) (Service Lane Part)	M (LNF)	2007 - 2010	02
104		NS		BLOCK, ENG		2007 - 2010	
105	88984129	00.030		SLEEVE, CYL (MCHG)	M (LNF)	2007 - 2010	04
106	90537102	00.293		PIN, CYL HD LOC (Service Lane Part)	M (LNF)	2007 - 2010	04
110	11588547	00.034		PLUG, ENG BLK CORE HOLE (M12X1.75X16.5) (20.5OD) (W/SEALANT) (0.253) (ACDelco #11588547) (Service Lane Part)	M (LNF)	2007 - 2010	08
111	90351708	00.685		PIN, TRANS LOC (18.5MM OD X12MM LONG) (0.219) (ACDelco #90351708) (Service Lane Part)	M (LNF)	2007 - 2010	02
112	12674703	02.383		SENSOR, CR/SHF POSN (INCLS 113) (ACDelco #12674703) (Service Lane Part)	M (LE5,LNF)	2007 - 2010	01
GM Note: Refer to GM Service Information for required programming and/or special setup procedures.							
113		02.383		BOLT, CR/SHF POSN SEN (PART OF 112)		2007 - 2010	

Call	Part #	Group	H	Description	Usage	Year	Qty
114	12635992	01.800		SWITCH, ENG OIL PRESS (USE T/W MATING CONN 12085500 1 WAY FEMALE W/LEADS) (ACDelco #D1849A) (Service Lane Part)	M (LNF)	2007 - 2010	01
115	12596230	01.531		NOZZLE, PSTN OIL (Service Lane Part)	M (LNF)	2007 - 2010	04
116	11562103	08.907		SCREW, INT HEX SOCKET,M10X1.25X26,23 THD,16 OD,10.9, GMW3179,W/ADH 617 (FLYWHL) (Service Lane Part)		2007 - 2010	08
117	24233204	00.666		FLYWHEEL, ENG (Service Lane Part)	M (LNF,MA5)	2007 - 2010	01
118	90236536	00.669		BOLT, A/TRNS FLEX PLT (M10X1.25X18) (Service Lane Part)	M (LNF)	2007 - 2010	08
119	12589349	00.666		PLATE, A/TRNS FLEX (FOR 3 BOLT TORQUE CONVERTERS) (Service Lane Part)	M (LNF)	2007 - 2009	01
120	12591866	00.137		SEAL, CR/SHF RR OIL (Service Lane Part)	M (LNF)	2007 - 2010	01
121	12619107	00.646		CRANKSHAFT, (Service Lane Part)	M (LNF)	2007 - 2010	01
122		NS		BEARING, CR/SHF UPR (*KIT1)		2007 - 2010	
123		NS		BEARING, CR/SHF UPR (*KIT1)		2007 - 2010	
124		NS		BEARING, CR/SHF LWR (*KIT1)		2007 - 2010	
125		NS		BEARING, CR/SHF LWR (*KIT1)		2007 - 2010	
126		NS		CRANKCASE, LWR (CSTG)		2007 - 2010	
128	11588733	01.426		BOLT, HFH,M8X1.25X80.8,21.6 THD, 18 OD, 8.8 STL, GMW3359 (LWR C/CASE) (8.900) (ACDelco #11588733) (Service Lane Part)		2007 - 2010	10
133	11571239	08.900		BOLT, HFH,M10X1.5X146,71 THD,22.75 OD,8.8,GMW3179 A, REDUCED BODY (LWR C/CASE) (Service Lane Part)		2007 - 2010	20
135	12621820	02.383		SENSOR, KNOCK (T/W MATING CONN 12116247) (ACDelco #213-4583) (Service Lane Part)	M (LE5,LNF)	2009 - 2009	04
166	22531637	00.206		PIN, ENG FRT CVR LOC (8MM DIA,12MM LONG) (DOWEL) (0.413) (Service Lane Part)	M (LNF)	2007 - 2010	02

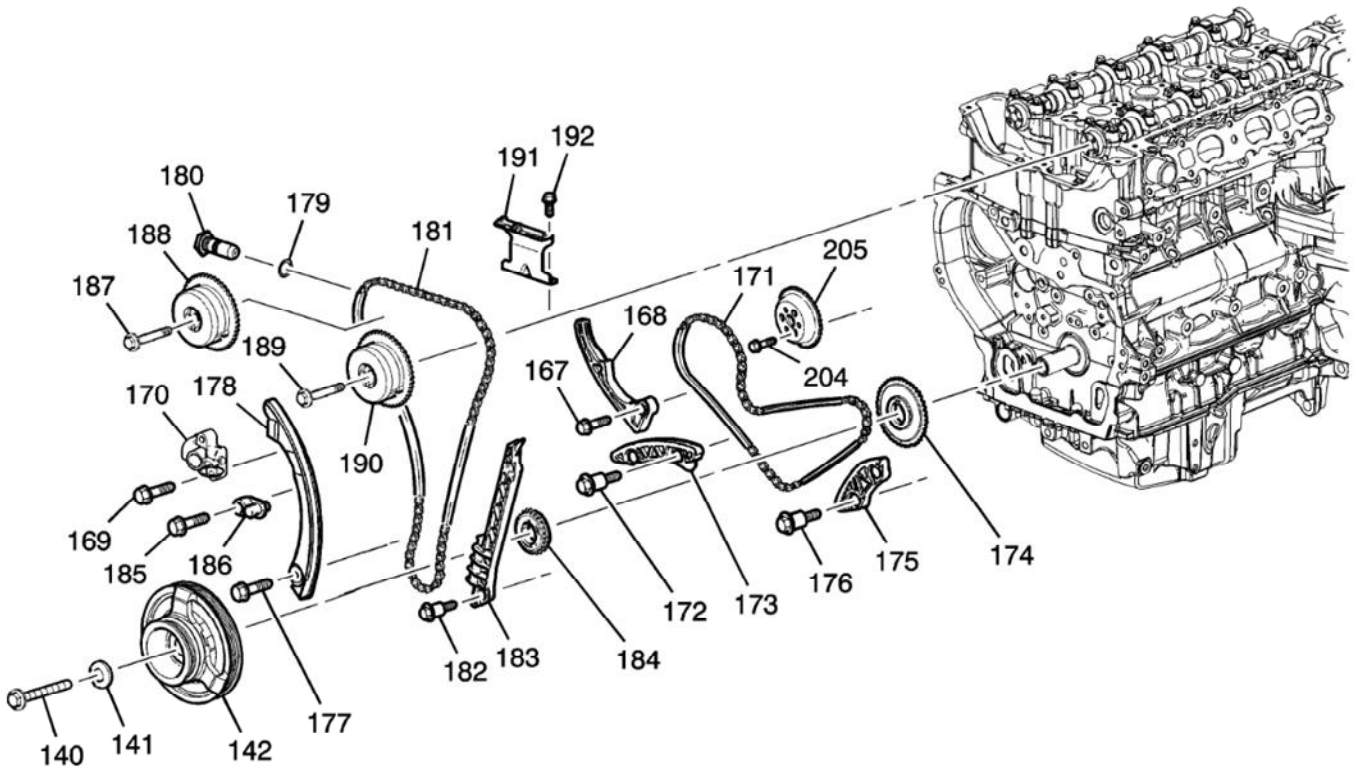
Call	Part #	Group	H	Description	Usage	Year	Qty
193	11516327	08.900		BOLT, HFH,M10X1.5X25,22.30 O.D.,HDR PT,10.9,7112M (BAL SHF SPKT) (PART OF 198,199) (Service Lane Part)		2007 - 2010	02
194		NS		SPROCKET, BAL SHF (PART OF 198)		2007 - 2010	
195		NS		SPROCKET, BAL SHF (PART OF 199)		2007 - 2010	
196		NS		BEARING, BAL SHF FRT (PART OF 198)		2007 - 2010	
197		NS		BEARING, BAL SHF FRT (PART OF 199)		2007 - 2010	
198	12721063	00.659	R	SHAFT, BAL (INCLS 193,194,196) (INCLS SPROCKET) (Service Lane Part)	M (LE5,LNF)	2007 - 2010	01
199	12721064	00.659	L	SHAFT, BAL (INCLS 193,195,197) (INCLS SPROCKET) (Service Lane Part)	M (LE5,LNF)	2007 - 2010	01
200	12581395	00.539		BEARING, BALR SHF RR (ACDelco #12581395) (Service Lane Part)	M (LNF)	2007 - 2010	02
900	12755171	00.639		RETAINER, PSTN PIN (PART OF 98) (ACDelco #12755171) (Service Lane Part)	M (LNF)	2007 - 2010	08
901		NS		PIN, PSTN (PART OF 98)		2007 - 2010	
902		NS		CAP, CONN ROD (PART OF 100)		2007 - 2010	
903	11562426	08.900		BOLT, HFH,M6X1X25,18 THD,14.2 OD, 10.9 STL GMW3359 (BAL SHF BRG-> (FOR:CARRIER/FLANGE-TO BLOCK) (Service Lane Part)		2007 - 2010	02
904	90537102	01.428		PIN, LWR C/CASE LOC (0.293) (Service Lane Part)	M (LNF)	2007 - 2010	04
905	24424855	00.729		KEY, CR/SHF SPKT (Service Lane Part)	M (LNF)	2007 - 2010	01
906	11588949	01.531		PLUG, M16X1.5X14, 24 OD, SAE 1010 STL, GMW3044, W/ AL WASHER (ENG BLK CORE HOLE) (8.973) (ACDelco #11588949) (Service Lane Part)		2007 - 2010	02
907	21000867	01.531		PLUG, ENG BLK OIL GAL (CUP TYPE, 13MM) (Service Lane Part)	M	2007 - 2010	02
908	90105743	00.649		BEARING, CLU PILOT (ACDelco #90105743) (Service Lane Part)	M (LNF)	2007 - 2010	01

Call	Part #	Group	H	Description	Usage	Year	Qty
K01	12591092	00.096		BEARING KIT, CR/SHF (INCLS 122-125) (FULL SET) (Service Lane Part)	M (LNF) (EXC CV2)	2007 - 2010	01

P - Pontiac>2009>M - 2M9 - Solstice>00 - 4-CYLINDER ENGINE>(2M00-022) 2007-2010 M ENGINE ASM-2.0L L4 PART 3 TIMING CHAIN & TENSIONER (LNF/2.0X)

 =  Single Use Part

2M00-022 07/25/2007



Make: Pontiac

Year: 2009


Model: Solstice

P - Pontiac>2009>M - 2M9 - Solstice>00 - 4-CYLINDER ENGINE>(2M00-022) 2007-2010 M ENGINE ASM-2.0L L4 PART 3 TIMING CHAIN & TENSIONER (LNF/2.0X)

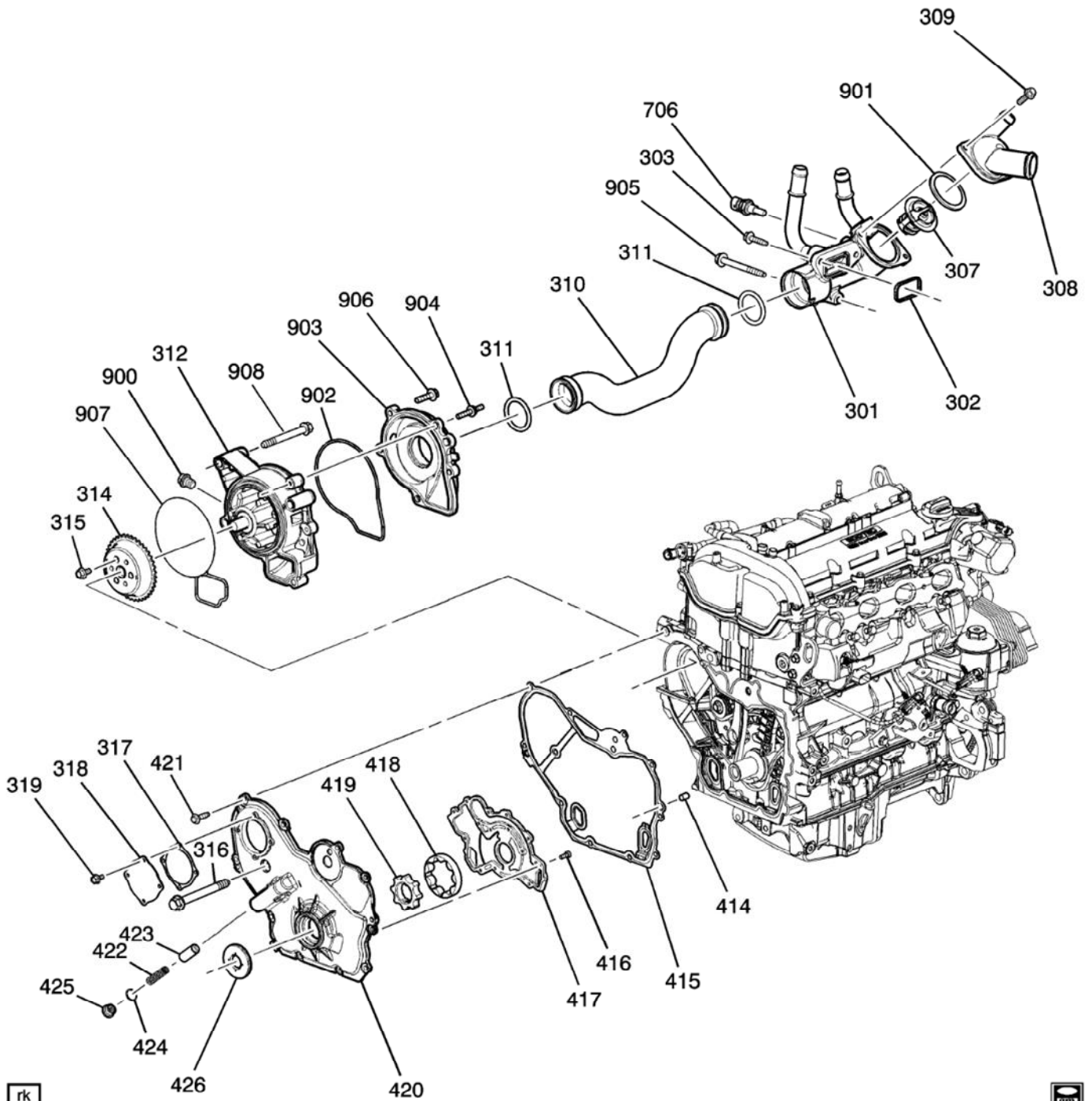
Call	Part #	Group	H	Description	Usage	Year	Qty
140	11589123	08.900		BOLT, HFH,W/CON WA,M14X1.5X118, 103 THD, 44 THD, 10.9, 6047M (CR/SHF BALR) (Service Lane Part)		2007 - 2010	01
141	12611099	00.662		WASHER, CR/SHF BALR (Service Lane Part)	M (LNF)	2007 - 2010	02
142	12585233	00.659		BALANCER, CR/SHF (SLIP FIT BALANCER) (Service Lane Part)	M	2007 - 2010	01
167	11588714	08.900		BOLT, HFH,M6X1X30,22.7 THD,14.2 OD,8.8,GMW3359, M-PT. (BAL CHAIN ADJ GDE) (Service Lane Part)		2007 - 2010	01
168	90537299	00.659		GUIDE, BALR CHAIN ADJ (Service Lane Part)	M (LNF)	2007 - 2010	01
169	11588714	08.900		BOLT, HFH,M6X1X30,22.7 THD,14.2 OD,8.8,GMW3359, M-PT. (BAL CHAIN ADJ GDE) (Service Lane Part)		2007 - 2010	02
170	90537300	01.060		TENSIONER, W/PMP & BAL SHF CHAIN (ACDelco #90537300) (Service Lane Part)	M (LNF)	2007 - 2010	01
171	12635427	01.109		CHAIN, W/PMP & BAL SHF (Service Lane Part)	M (LNF)	2007 - 2010	01
172	11588522	08.900		BOLT, HFH W/SHLDR,M6X1X29.5,11.8THD,17 O.D.,8.8,6194M (BAL CHAIN GDE) (Service Lane Part)		2007 - 2010	02
173	90537336	00.659		GUIDE, BALR CHAIN (UPPER) (ACDelco #90537336) (Service Lane Part)	M (LNF)	2007 - 2010	01
174	12642713	00.728		SPROCKET, CR/SHF (ACDelco #12642713) (Service Lane Part)	M (LNF)	2007 - 2010	01
175	90537369	00.659		GUIDE, BALR CHAIN (LOWER) (ACDelco #90537369) (Service Lane Part)	M (LNF)	2007 - 2010	01
176	11588522	08.900		BOLT, HFH W/SHLDR,M6X1X29.5,11.8THD,17 O.D.,8.8,6194M (BAL CHAIN GDE) (Service Lane Part)		2007 - 2010	02
177	11588714	08.900		BOLT, HFH,M6X1X30,22.7 THD,14.2 OD,8.8,GMW3359, M-PT. (TMG CHAIN GDE) (Service Lane Part)		2007 - 2010	01

Call	Part #	Group	H	Description	Usage	Year	Qty
178	24449448	00.724		GUIDE, TMG CHAIN (W/BUSHING) (ACDelco #24449448) (Service Lane Part)	M (LNF)	2007 - 2010	01
179	89060424	00.724		SEAL, TMG CHAIN TENSUR (PART OF 180) (Service Lane Part)	M (LNF)	2007 - 2010	01
180	12608580	00.724		TENSIONER, TMG CHAIN (INCLS 179) (ACDelco #12608580) (Service Lane Part)	M (LNF)	2007 - 2010	01
181	24461834	00.724		CHAIN, CM/SHF TMG (Service Lane Part)	M (LNF)	2007 - 2010	01
182	11588522	08.900		BOLT, HFH W/SHLDR,M6X1X29.5,11.8THD,17 O.D.,8.8,6194M (TMG CHAIN GDE) (Service Lane Part)		2007 - 2010	02
183	13104978	00.724		GUIDE, TMG CHAIN (W/O BUSHING) (ACDelco #13104978) (Service Lane Part)	M (LNF)	2007 - 2010	01
184	24424758	00.728		SPROCKET, CR/SHF (FRT) (Service Lane Part)	M (LNF)	2007 - 2010	01
185	11588714	08.900		BOLT, HFH,M6X1X30,22.7 THD,14.2 OD,8.8,GMW3359, M-PT. (TMG CHAIN OIL NOZ) (Service Lane Part)		2007 - 2010	01
186	12577163	00.748		NOZZLE, TMG CHAIN OIL (LESS SPRING) (Service Lane Part)	M (LE5,LNF)	2007 - 2010	01
187	11588844	00.736		BOLT, CM/SHF POSN ACTR (M10X1.5X76, 19 THD) (Service Lane Part)	M (LNF)	2007 - 2010	02
188	12621505	00.736		ACTUATOR, CM/SHF POSN (EXHAUST) (ACDelco #12621505) (Service Lane Part)	M (LE5,LNF)	2007 - 2010	01
189	11588844	00.736		BOLT, CM/SHF POSN ACTR (M10X1.5X76, 19 THD) (Service Lane Part)	M (LNF)	2007 - 2010	02
190	12578515	00.296		ACTUATOR, INT VLV (INTAKE) (0.736) (ACDelco #12578515) (Service Lane Part)	M (LNF)	2007 - 2010	01
191	12588387	00.724		GUIDE, TMG CHAIN (UPPER FIXED) (ACDelco #12588387) (Service Lane Part)	M (LNF)	2007 - 2010	01
192	11518828	DISCON		BOLT, HVY HEX ACORN FLG HD (TMG CHAIN GDE)		2007 - 2010	02
204	11518061	08.900		BOLT, HFH, M6X1X13, 10 THD, 14.2 OD, GMW25M (8.8) STL, GMW14C-PT (W/PMP SPKT) (Service Lane Part)		2007 - 2010	03
205	90537298	01.109		SPROCKET, W/PMP (Service Lane Part)	M (LNF)	2007 - 2010	01

P - Pontiac>2009>M - 2M9 - Solstice>00 - 4-CYLINDER ENGINE>(2M00-015) 2007-2010 M ENGINE ASM-2.0L L4 PART 4 FRONT COVER & COOLING (LNF/2.0X)

 =  Single Use Part

2M00-015 11/22/2006



Make: Pontiac

Year: 2009

Model: Solstice

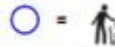
P - Pontiac>2009>M - 2M9 - Solstice>00 - 4-CYLINDER ENGINE>(2M00-015) 2007-2010 M ENGINE ASM-2.0L L4 PART 4 FRONT COVER & COOLING (LNF/2.0X)

Call	Part #	Group	H	Description	Usage	Year	Qty
301	12605853	01.251		HOUSING, ENG COOL THERM (ACDelco #12605853) (Service Lane Part)	M (LNF)	2009 - 2010	01
302	90537471	01.252		SEAL, WAT INL (ROUND WILL CHANGE TO OBLONG SHAPE WHEN ASSEMBLED) (ACDelco #90537471) (Service Lane Part)	M (LNF)	2007 - 2010	01
303	11900244	08.900		BOLT, HFH,M6X1X28,20 THD,14.2 O.D.,8.8,GMW3359 (ENG COOL THERM HSG) (Service Lane Part)		2007 - 2010	02
307	12622410	01.246		THERMOSTAT, ENG COOL (INCLS 309,901) (ACDelco #131-158) (Service Lane Part)	M (LNF)	2007 - 2010	01
308	12599085	01.073		INLET, WAT (Service Lane Part)	M (LNF)	2007 - 2010	01
309	11588712	08.900		BOLT, HFH,M6X1X20,17.5 THD,14.2 O.D.,8.8, GMW3359 (PART OF 307) (Service Lane Part)		2007 - 2010	02
310	12592401	01.173		PIPE, RAD OTLT (Service Lane Part)	M (LNF)	2007 - 2010	04
311	90537379	01.173		SEAL, RAD OTLT PIPE (O RING) (Service Lane Part)	M (LNF)	2007 - 2010	02
312	12630084	01.069		PUMP, WAT (W/GSKT) (INCLS 314,315,900,902-904,906,907) (ACDelco #251-751) (Service Lane Part)	M (LNF)	2007 - 2010	01
314	90537298	01.109		SPROCKET, W/PMP (PART OF 312) (Service Lane Part)	M (LNF)	2007 - 2010	01
315	11518061	08.900		BOLT, HFH, M6X1X13, 10 THD, 14.2 OD, GMW25M (8.8) STL, GMW14C-PT (PART OF 312) (Service Lane Part)		2007 - 2010	03
316	11588735	08.900		BOLT, HFH,M8X1.25X100,22 THD,18 OD,8.8 STL,GMW3359,M-PT (W/PMP) (Service Lane Part)		2007 - 2010	02
317	90537915	01.079		GASKET, W/PMP CVR (PART OF 420) (1.123) (Service Lane Part)	M (LNF)	2009 - 2010	01
318	90537266	01.073		COVER, W/PMP (PART OF 420) (Service Lane Part)	M (LE5,LNF)	2009 - 2010	01

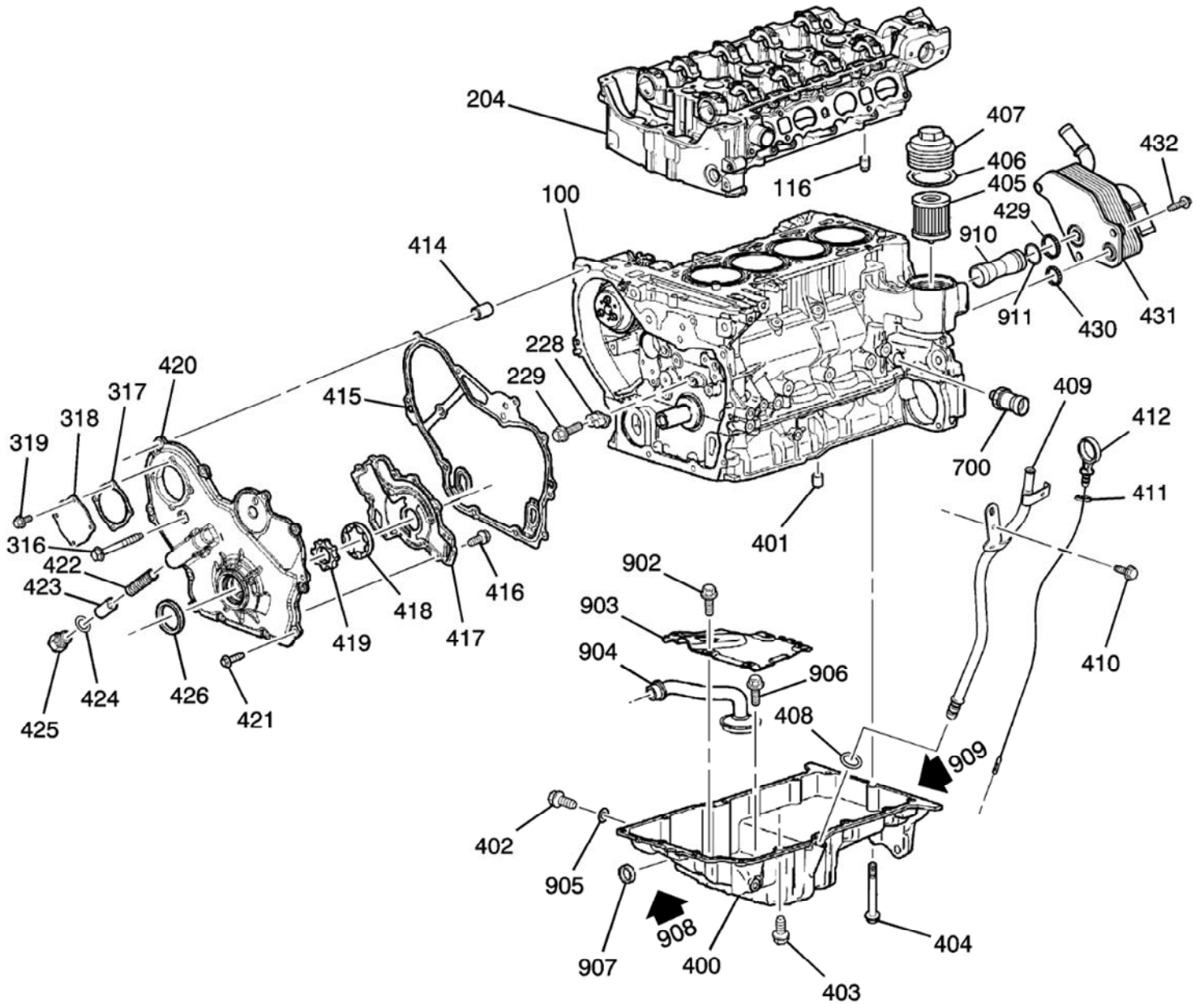
Call	Part #	Group	H	Description	Usage	Year	Qty
319	11518061	08.900		BOLT, HFH, M6X1X13, 10 THD, 14.2 OD, GMW25M (8.8) STL, GMW14C-PT (PART OF 420) (Service Lane Part)		2007 - 2010	04
414	22531637	00.206		PIN, ENG FRT CVR LOC (8MM DIA,12MM LONG) (DOWEL) (0.413) (Service Lane Part)	M (LNF)	2007 - 2010	02
415	24435052	00.207		GASKET, ENG FRT CVR (ACDelco #24435052) (Service Lane Part)	M (LNF)	2007 - 2010	01
416		NS		BOLT, O/PMP CVR (PART OF 420)		2007 - 2010	
417		NS		COVER, O/PMP (PART OF 420)		2007 - 2010	
418		NS		GEAR, O/PMP DRVN (PART OF 420)		2007 - 2010	
419		NS		GEAR, O/PMP (PART OF 420)		2007 - 2010	
420	12637040	00.206		COVER, ENG FRT (W/OIL PMP) (INCLS 317-319,416-419,422-426) (Service Lane Part)	M (LNF)	2007 - 2010	01
421	11589236	08.900		BOLT, HFH, M8X1.25X30.7, 20.7 THD, 17 OD, 8.8 STL, GMW3359 (ENG FRT CVR) (Service Lane Part)		2007 - 2010	03
422		NS		SPRING, OIL PRESS RLF VLV (PART OF 420)		2007 - 2010	
423		NS		VALVE, OIL PRESS RLF (PART OF 420)		2007 - 2010	
424	11093042	01.609		SEAL, OIL PRESS RLF VLV SPR ST (O RING) (PART OF 420) (1.655) (ACDelco #11093042) (Service Lane Part)	M (LNF)	2007 - 2010	01
425		NS		SEAT, OIL PRESS RLF VLV SPR (PART OF 420)		2007 - 2010	
426	12584041	00.213		SEAL, CR/SHF FRT OIL (PART OF 420) (ACDelco #296-16) (Service Lane Part)	M (LNF)	2007 - 2010	01
706	12611420	03.682		SENSOR, ENG COOL TEMP (ACDelco #213-4232) (Service Lane Part)	M (LNF,MA5,M82)	2008 - 2010	01
706	12611420	01.150		SENSOR, ENG COOL TEMP (3.682) (ACDelco #213-4232) (Service Lane Part)	M (LNF,MA5,M82)	2008 - 2010	01
900	90537623	00.034		PLUG, ENG BLK COOL DRN HOLE (PART OF 312) (M12X1.5X12) (1.540) (M12 PLUG LOCATED IN THE BOTTOM OF THE WATER PUMP) (Service Lane Part)	M	2007 - 2010	01

Call	Part #	Group	H	Description	Usage	Year	Qty
901	03522676	01.252		SEAL, ENG COOL THERM (O RING) (PART OF 307) (SQUARE CUT) (ACDelco #3522676) (Service Lane Part)	M (LNF)	2007 - 2010	01
902	24446365	01.123		SEAL, W/PMP CVR (O RING) (PART OF 312) (Service Lane Part)	M (LNF)	2007 - 2010	01
903		NS		COVER, W/PMP (PART OF 312)		2007 - 2010	
904	11609473	08.981		STUD, HFH,6X1X25,6X1X16,14.2 OD,47.6 TL,9.8,6280M,HDR-PTS (PART OF 312) (Service Lane Part)		2007 - 2010	01
905	11588719	08.900		BOLT, HFH,M6X1X60,18MM THD,14.2 O.D.,8.8,3359GMW (ENG COOL THERM HSG) (Service Lane Part)		2007 - 2010	01
906	11516424	08.900		BOLT, HFH,M6X1X25,14.2 O.D.,HDR PT,9.8,ZE (PART OF 312) (Service Lane Part)		2007 - 2010	04
907	24439799	01.079		GASKET, W/PMP (PART OF 312) (ACDelco #251-2053) (Service Lane Part)	M (LNF)	2007 - 2010	01
908	11900262	08.900		BOLT, HFH,M8X1.25X69.15,19 THD,18 OD, 8.8 STL, GMW3359, REDUCED BODY (W/PMP CVR) (Service Lane Part)		2007 - 2010	02

P - Pontiac>2009>M - 2M9 - Solstice>00 - 4-CYLINDER ENGINE>(2M00-016) 2007-2010 M ENGINE ASM-2.0L L4 PART 5 OIL PUMP,PAN & RELATED PARTS (LNF/2.0X)

 Single Use Part

2M00-016 04/21/2008



Make: Pontiac

Year: 2009

Model: Solstice

P - Pontiac>2009>M - 2M9 - Solstice>00 - 4-CYLINDER ENGINE>(2M00-016) 2007-2010 M ENGINE ASM-2.0L L4 PART 5 OIL PUMP,PAN & RELATED PARTS (LNF/2.0X)

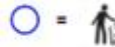
Call	Part #	Group	H	Description	Usage	Year	Qty
100		NS		BLOCK, ENG (SEE GROUP 00.000 "CYLINDER BLOCK & RELATED PARTS" FOR DETAILED ILLUSTRATED VIEW) (SERVICED BY GOODWRENCH ENGINE)		2007 - 2010	
116		NS		RESTRICTOR, ENG BLK OIL GAL (PART OF 204)		2007 - 2010	
204	12616487	00.269		HEAD, CYL (MCHG) (INCLS 116) (SEE GROUP 00.000 "CYLINDER HEAD AND RELATED PARTS" FOR DETAILED ILLUSTRATED VIEW) (COMPLETE HEAD)	M (LNF)	2007 - 2010	01
204	12626384	00.269		HEAD, CYL (MCHG) (INCLS 116) (SEE GROUP 00.000 "CYLINDER HEAD AND RELATED PARTS" FOR DETAILED ILLUSTRATED VIEW) (LESS VALVES)	M (LNF)	2007 - 2010	01
228	12577163	00.748		NOZZLE, TMG CHAIN OIL (LESS SPRING) (Service Lane Part)	M (LE5,LNF)	2007 - 2010	01
229	11588714	08.900		BOLT, HFH,M6X1X30,22.7 THD,14.2 OD,8.8,GMW3359, M-PT. (BAL CHAIN ADJ GDE) (Service Lane Part)		2007 - 2010	01
316	11588735	08.900		BOLT, HFH,M8X1.25X100,22 THD,18 OD,8.8 STL,GMW3359,M-PT (W/PMP) (Service Lane Part)		2007 - 2010	02
317	90537915	01.079		GASKET, W/PMP CVR (PART OF 420) (1.123) (Service Lane Part)	M (LNF)	2009 - 2010	01
318	90537266	01.073		COVER, W/PMP (PART OF 420) (Service Lane Part)	M (LE5,LNF)	2009 - 2010	01
319	11518061	08.900		BOLT, HFH, M6X1X13, 10 THD, 14.2 OD, GMW25M (8.8) STL, GMW14C-PT (PART OF 420) (Service Lane Part)		2007 - 2010	04
400	12601240	01.426		PAN, OIL (INCLS 402,902-908) (NO GASKET SERVICED, USE RTV SEALANT 12378521) (Service Lane Part)	M	2007 - 2010	01
401	22531637	01.428		PIN, OIL PAN LOC (8MM DIA,12MM LONG) (DOWEL) (0.413) (Service Lane Part)	M (LNF)	2007 - 2010	02

Call	Part #	Group	H	Description	Usage	Year	Qty
402	11562588	01.453		PLUG, OIL PAN DRN (PART OF 400) (INCLS 905) (M12X1.75X25) (W/SEAL) (EXC MAGNET) (W/HEX HEAD) (ACDelco #11562588) (Service Lane Part)	M (LNF)	2007 - 2010	01
403	11570082	08.900		BOLT, HFH,M8X1.25X22,19 THD,18 OD,10.9,GMW3359 (OIL PAN) (ACDelco #11570082) (Service Lane Part)		2007 - 2010	14
404	11589253	02.277		BOLT, HEXFLANGE,M8X1.25X105,18 OD,13 SOCKET, (8.8), GMW 3359 (OIL PAN) (8.900) (ACDelco #11589253) (Service Lane Part)		2007 - 2010	01
405		01.836		FILTER, OIL (PART OF 407)		2007 - 2010	
406	12580255	01.844		SEAL, OIL FLTR CAP (O RING) (PART OF 407) (ACDelco #12580255) (Service Lane Part)	M (LNF)	2007 - 2010	01
407	12605565	01.836		FILTER, OIL (INCLS 405,406) (FILTER,CAP AND CAP O-RING) (ACDelco #PF458G) (Service Lane Part)	M (LNF)	2007 - 2010	01
408	12607449	01.516		SEAL, OIL LVL IND TUBE (O RING) (PART OF 409) (Service Lane Part)	M (LNF)	2007 - 2010	01
408	24504031	01.516		SEAL, OIL LVL IND TUBE (O RING) (PART OF 409) (6.07 ID; 1.78 DIA) (ACDelco #24504031) (Service Lane Part)	M (LNF)	2007 - 2010	01
409	12609741	DISCON		TUBE, OIL LVL IND (INCLS 408)	M (LNF)	2007 - 2010	01
410		01.516		BOLT, OIL LVL IND TUBE		2007 - 2010	
410	11609577	01.516		BOLT, OIL LVL IND TUBE (M6X1X55,18 THD) (14.2 OD,8.8, GMW3359,M POINT) (0.659) (Service Lane Part)	M (LNF,MA5)	2008 - 2009	03
411	24504031	01.516		SEAL, OIL LVL IND (O RING) (PART OF 412) (6.07 ID; 1.78 DIA) (ACDelco #24504031) (Service Lane Part)	M (LNF)	2008 - 2010	01
412	12604225	01.516		INDICATOR, OIL LVL (INCLS 411) (W/O TUBE ASM) (Service Lane Part)	M (LNF)	2007 - 2010	01
414	22531637	00.206		PIN, ENG FRT CVR LOC (8MM DIA,12MM LONG) (DOWEL) (0.413) (Service Lane Part)	M (LNF)	2007 - 2010	02
415	24435052	00.207		GASKET, ENG FRT CVR (ACDelco #24435052) (Service Lane Part)	M (LNF)	2007 - 2010	01

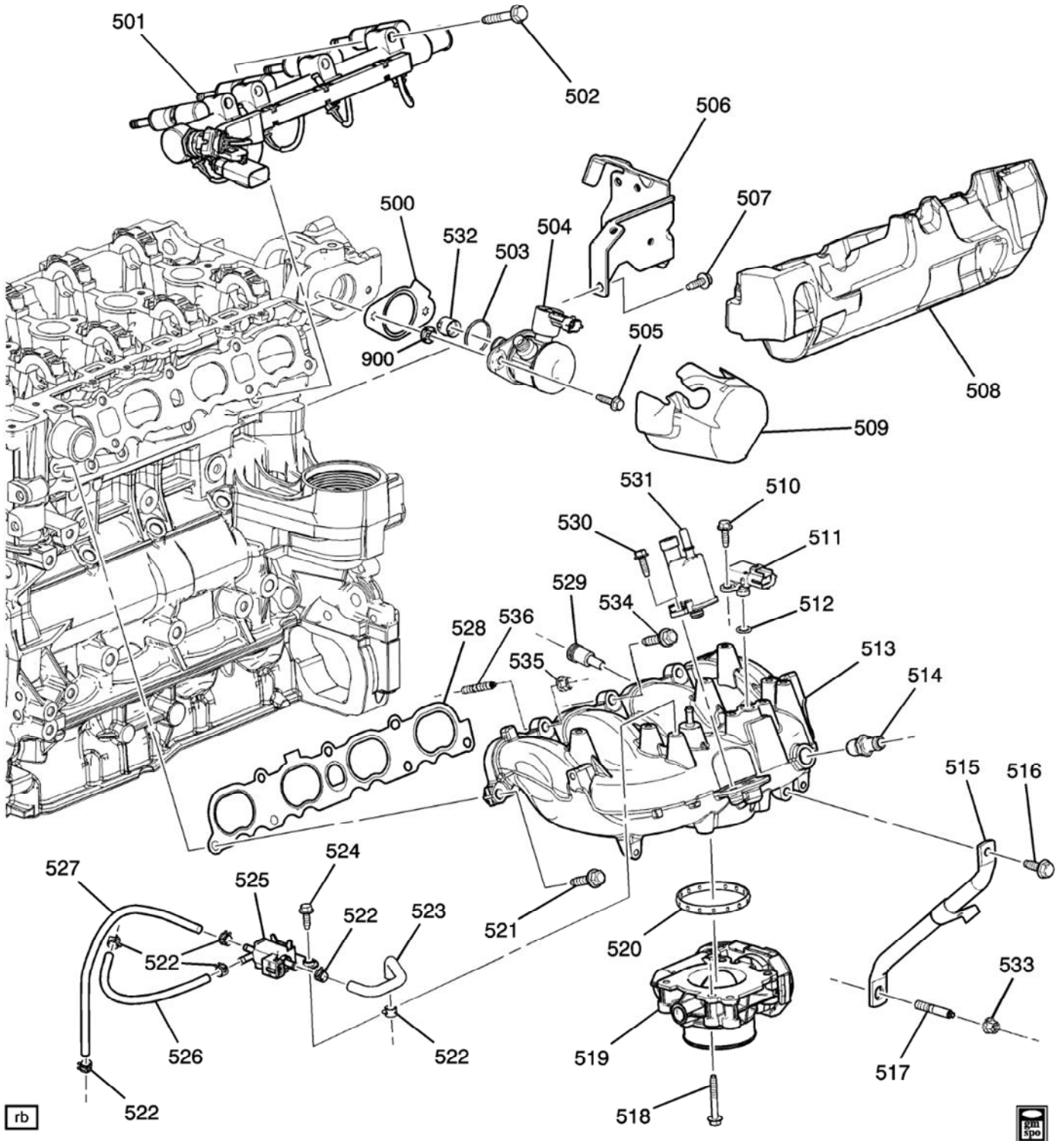
Call	Part #	Group	H	Description	Usage	Year	Qty
416		NS		BOLT, O/PMP FRT CVR (PART OF 420)		2007 - 2010	
417		NS		HOUSING, O/PMP INTER (PART OF 420)		2007 - 2010	
418		NS		GEAR, O/PMP (PART OF 420)		2007 - 2010	
419		NS		GEAR, O/PMP DRVN (PART OF 420)		2007 - 2010	
420	12637040	00.206		COVER, ENG FRT (W/OIL PMP) (INCLS 317-319,416-419,422-426) (Service Lane Part)	M (LNF)	2007 - 2010	01
421	11589236	08.900		BOLT, HFH, M8X1.25X30.7, 20.7 THD, 17 OD, 8.8 STL, GMW3359 (ENG FRT CVR) (Service Lane Part)		2007 - 2010	10
422		NS		SPRING, OIL PRESS RLF VLV (PART OF 420)		2007 - 2010	
423		NS		VALVE, OIL PRESS RLF (PART OF 420)		2007 - 2010	
424	11093042	01.609		SEAL, OIL PRESS RLF VLV SPR ST (O RING) (PART OF 420) (1.655) (ACDelco #11093042) (Service Lane Part)	M (LNF)	2007 - 2010	01
425		NS		SEAT, OIL PRESS RLF VLV SPR (PART OF 420)		2007 - 2010	
426	12584041	00.213		SEAL, CR/SHF FRT OIL (PART OF 420) (ACDelco #296-16) (Service Lane Part)	M (LNF)	2007 - 2010	01
429	12601371	01.550		SEAL, ENG OIL CLR INL PIPE (O RING) (PART OF 431) (27.0MM) (Service Lane Part)	M (LNF)	2007 - 2010	01
430	12601372	01.550		SEAL, ENG OIL CLR OTLT PIPE (O RING) (PART OF 431) (21.0MM) (Service Lane Part)	M (LNF,MA5,M82)	2007 - 2010	01
431	12639408	01.540		COOLER, ENG OIL (INCLS 429,430,432) (ACDelco #12639408) (Service Lane Part)	M (LNF)	2007 - 2010	01
432	11589236	08.900		BOLT, HFH, M8X1.25X30.7, 20.7 THD, 17 OD, 8.8 STL, GMW3359 (PART OF 431) (Service Lane Part)		2007 - 2010	03
700	12635992	01.800		SWITCH, ENG OIL PRESS (USE T/W MATING CONN 12085500 1 WAY FEMALE W/LEADS) (ACDelco #D1849A) (Service Lane Part)	M (LNF)	2007 - 2010	01
902	11519133	08.900		BOLT, SELF TAP,M6X1X20,13.2 O.D. (PART OF 400) (Service Lane Part)		2007 - 2010	05

Call	Part #	Group	H	Description	Usage	Year	Qty
903	12578196	01.430		BAFFLE, OIL PAN (PART OF 400) (Service Lane Part)	M (LE5,LNF)	2007 - 2010	01
904		NS		PIPE, O/PMP SUC (PART OF 400)		2007 - 2010	
905	12616850	01.456		SEAL, OIL PAN DRN PLUG (O RING) (PART OF 400,402) (DIA 19.39) (ACDelco #12616850) (Service Lane Part)	M (LNF)	2007 - 2010	01
906		NS		BOLT, O/PMP SUC PIPE (PART OF 400)		2007 - 2010	
907		NS		PLUG, OIL PAN HOLE (PART OF 400)		2007 - 2010	
908	19333511	08.800		ADHESIVE, THREADLOCKER (VIBRA-TITE 121) (MEDIUM STRENGTH) (BLUE) (20 OZ (PART OF 400) (ACDelco #10-2023)		2007 - 2010	AR
909	12378521	08.800		SEALANT, RTV ENGINE SILICONE 5.3OZ CART (SEALER,OIL PAN) (ACDelco #10-2010)		2007 - 2010	AR
910	12790785	01.540		PIPE, ENG OIL CLR INL (INCLS 911) (1.130) (ACDelco #12790785) (Service Lane Part)	M (LNF)	2007 - 2010	01
911		NS		SEAL, ENG OIL CLR INL PIPE (O RING) (PART OF 910)		2007 - 2010	

P - Pontiac>2009>M - 2M9 - Solstice>00 - 4-CYLINDER ENGINE>(2M00-017) 2007-2010 M ENGINE ASM-2.0L L4 PART 6 INTAKE MANIFOLD & FUEL RELATED PARTS (LNF/2.0X)

 Single Use Part

2M00-017 02/18/2008



Make: Pontiac

Year: 2009

Model: Solstice

P - Pontiac>2009>M - 2M9 - Solstice>00 - 4-CYLINDER ENGINE>(2M00-017) 2007-2010 M ENGINE ASM-2.0L L4 PART 6 INTAKE MANIFOLD & FUEL RELATED PARTS (LNF/2.0X)

Call	Part #	Group	H	Description	Usage	Year	Qty
500	12595951	03.901		GASKET, F/PMP BRKT (PART OF 504) (ACDelco #12595951) (Service Lane Part)	M (LNF)	2007 - 2009	01
501		NS		RAIL, DIR F/INJN FUEL (SEE GROUP 03.000 "FUEL INJECTOR RAIL" FOR DETAILED ILLUSTRATED VIEW)		2007 - 2010	
502	11588728	03.330		BOLT, F/INJN FUEL RL (M8X1.25X50 OD-8.8) (REDUCED BODY) (3.671) (Service Lane Part)	M (LNF)	2007 - 2010	04
503	12600313	03.904		SEAL, F/PMP HSG (O RING) (PART OF 504) (ACDelco #G43) (Service Lane Part)	M (LNF)	2007 - 2009	01
504		03.900		PUMP, FUEL (INCLS 500,503,505,900) (SEE GROUP 03.000 "FUEL SUPPLY SYSTEM-FRONT" FOR DETAILED ILLUSTRATED VIEW) (HIGH PRESSURE) (Service Lane Part)		2007 - 2010	
505	11562426	08.900		BOLT, HFH,M6X1X25,18 THD,14.2 OD, 10.9 STL GMW3359 (PART OF 504) (Service Lane Part)		2007 - 2010	02
506	12633550	03.910		COVER, F/PMP (Service Lane Part)	M (LNF)	2008 - 2009	01
506	12633550	03.910		COVER, F/PMP (Service Lane Part)	M (LNF,M82,NT7,NU1)	2009 - 2009	01
507	11588712	08.900		BOLT, HFH,M6X1X20,17.5 THD,14.2 O.D.,8.8, GMW3359 (F/PMP SHLD) (Service Lane Part)		2007 - 2010	03
508	12610638	03.330		SHIELD, F/INJN FUEL RL NOISE (ACDelco #12610638) (Service Lane Part)	M (LNF)	2007 - 2010	01
509	12628069	03.904		INSULATOR, F/PMP (ACDelco #12628069) (Service Lane Part)	M (LNF,MA5)	2009 - 2010	01
509	12628069	03.904		INSULATOR, F/PMP (ACDelco #12628069) (Service Lane Part)	M (LNF,M82,MA5)	2007 - 2010	01
510	11589241	08.900		BOLT, HFH,M6X1X20,17.5 THD,14.2 O.D.,8.8, GMW3359 (PART OF 513) (Service Lane Part)		2007 - 2010	02
511	12592016	DISCON		SENSOR, MAP (PART OF 513) (INCLS 512)	M (LNF)	2007 - 2010	01

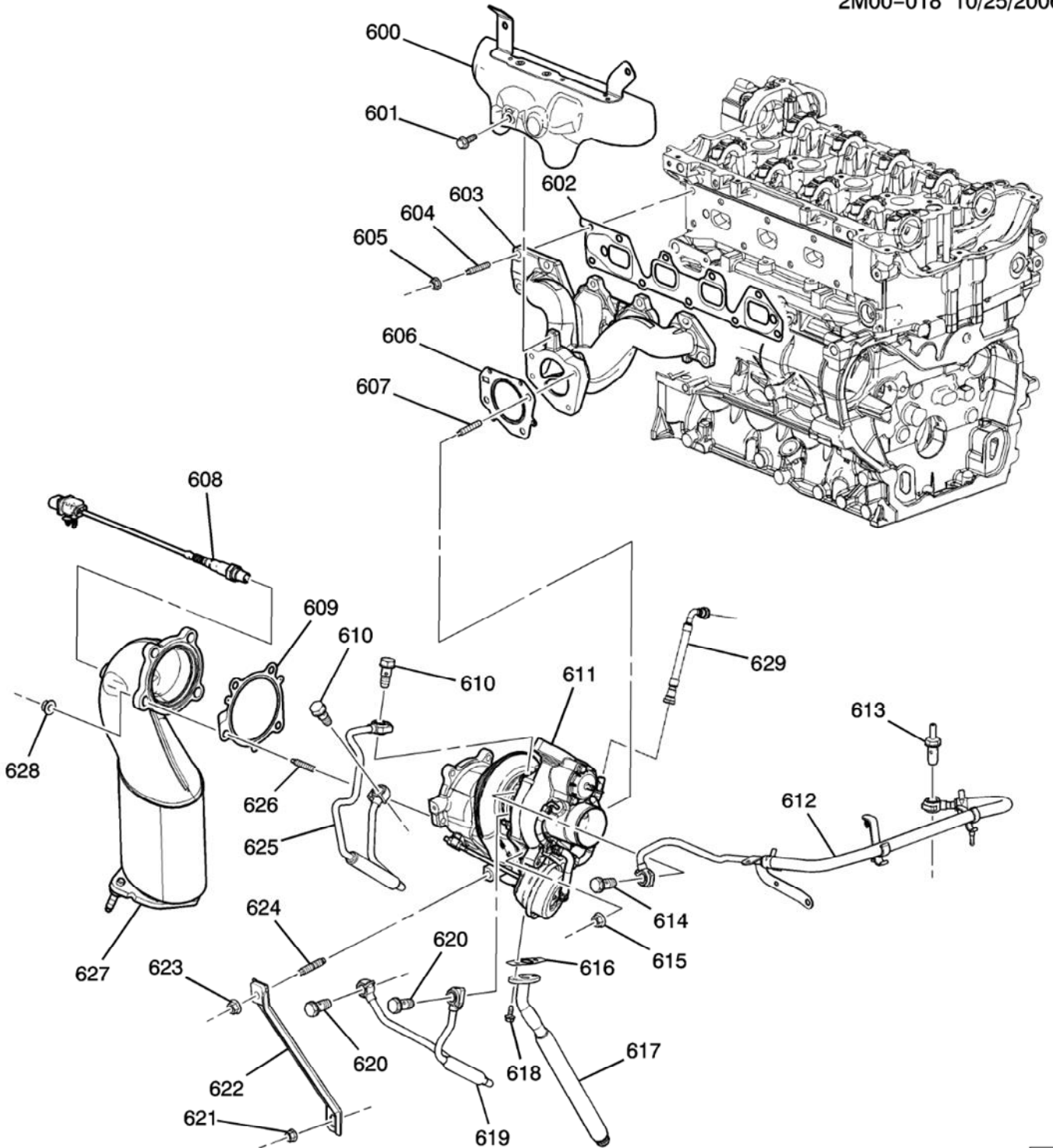
Call	Part #	Group	H	Description	Usage	Year	Qty
GM Note: Refer to GM Service Information for required programming and/or special setup procedures.							
512		NS		SEAL, MAP SEN (PART OF 511,513)		2007 - 2010	
513	12616667	DISCON		MANIFOLD, INT (INCLS 510-512,514,518-521,528-531)	M (LNF)	2007 - 2010	01
514	24504220	04.931		FITTING, P/B BOOS VAC PIPE (PART OF 513) (STRAIGHT) (ACCEPTS 13.0MM PIPE) (Service Lane Part)	M (LNF,M82)	2007 - 2010	01
515	12606941	03.265		BRACE, INT MANIF (Service Lane Part)	M (LNF)	2007 - 2010	01
516	11588723	08.900		BOLT, HFH, M8X1.25X25, 18 THD, 18 OD, 8.8 STL, GMW3359, M-PT (INT MANIF BR) (Service Lane Part)		2007 - 2010	01
517	11589054	08.981		STUD, STRAIGHT, M8X1.25X20, M8X1.25X16,W/ADH GM6175M,10.9,GM7111M,HDR (INT MANIF BR) (Service Lane Part)		2007 - 2010	01
518	11588717	03.336		BOLT, THROT BODY (PART OF 513) (M6X1X45, 14.2 OD) (17.7 THD, 8.8 STL, M-PT) (2.383) (Service Lane Part)	M (LNF)	2007 - 2010	04
519	12631187	03.335		BODY, THROT (W/THROT ACTR) (PART OF 513) (USE T/W MATING CONN 13584095) (ACDelco #217-3429) (Service Lane Part)	M (LNF)	2007 - 2010	01
GM Note: Refer to GM Service Information for required programming and/or special setup procedures.							
520	12589416	03.336		SEAL, THROT BODY (PART OF 513) (ACDelco #217-2890) (Service Lane Part)	M (LNF)	2007 - 2010	01
521	11562199	03.275		BOLT, INT MANIF (PART OF 513) (M8X1.25X33.9) (8.900) (Service Lane Part)	M (LNF)	2007 - 2010	05
522	92151160	03.373		CLAMP, CHRG AIR BYPASS VLV HOSE (3.330)	M (LNF)	2007 - 2010	06
523	12599819	03.373		TUBE, CHRG AIR BYPASS VLV VAC SCE (SHORT, FORMED) (ACDelco #12599819)	M (LNF)	2007 - 2010	01
524	11588712	08.900		BOLT, HFH,M6X1X20,17.5 THD,14.2 O.D.,8.8, GMW3359 (CHRG AIR BYPASS REG SOL VLV) (Service Lane Part)		2007 - 2010	02
525	12633355	03.373		SOLENOID, CHRG AIR BYPASS VLV (T/W CONN 19115592) (DOES NOT INCL TUBE ASSMBLIES,BOLTS OR TANK) (ACDelco #12633355)	M (LNF)	2007 - 2010	01

Call	Part #	Group	H	Description	Usage	Year	Qty
526	12599820	03.373		TUBE, CHRGR AIR BYPASS VLV (CUT TO LGTH) (ADD TIE STRAP FOR SPPRT AS REQD) (770MM IN LGTH) (ACDelco #12599820)	M (LNF)	2007 - 2009	01
527	12599820	03.373		TUBE, CHRGR AIR BYPASS VLV (CUT TO LGTH) (ADD TIE STRAP FOR SPPRT AS REQD) (770MM IN LGTH) (ACDelco #12599820)	M (LNF)	2007 - 2009	01
528	12589366	03.270		GASKET, INT MANIF (PART OF 513) (ACDelco #12589366) (Service Lane Part)	M (LNF)	2007 - 2010	01
529	12589440	01.745		VALVE, PCV (PART OF 513) (ACDelco #12589440) (Service Lane Part)	M (LNF)	2007 - 2010	01
530	11589241	08.900		BOLT, HFH,M6X1X20,17.5 THD,14.2 O.D.,8.8, GMW3359 (PART OF 513) (Service Lane Part)		2007 - 2010	01
531	12592015	03.130		VALVE, EVAP EMIS CNSTR PURGE SOL (PART OF 513) (PURGE SOLENOID ONLY) (FOR MATING CONN USE PN 13585860) (ACDelco #214-1473) (Service Lane Part)	M (LNF)	2007 - 2010	01
532	12590679	00.480		FOLLOWER, VLV LFTR (FUEL PUMP) (Service Lane Part)	M (LNF)	2007 - 2010	01
533	11516076	08.917		NUT, PREVAILING TORQUE TENSION FLG HD (M8X1.25X17.4 OD (VAC PUMP) (Service Lane Part)		2007 - 2010	01
534	11589303	08.900		BOLT, HFH,M6X1X38, 30 THD, 14.2 OD, 8.8 STL, GMW3359,M-PT (INT MANIF) (Service Lane Part)		2007 - 2010	01
535	11516076	08.917		NUT, PREVAILING TORQUE TENSION FLG HD (M8X1.25X17.4 OD (INT MANIF) (Service Lane Part)		2007 - 2010	02
536	11589054	08.981		STUD, STRAIGHT, M8X1.25X20, M8X1.25X16,W/ADH GM6175M,10.9,GM7111M,HDR (INT MANIF) (Service Lane Part)		2007 - 2010	02
900	12610684	03.901		RETAINER, F/PMP BOLT (PART OF 504) (ACDelco #12610684) (Service Lane Part)	M (LNF)	2007 - 2009	02

P - Pontiac>2009>M - 2M9 - Solstice>00 - 4-CYLINDER ENGINE>(2M00-018) 2007-2010 M ENGINE ASM-2.0L L4 PART 7 EXHAUST MANIFOLD & TURBOCHARGER (LNF/2.0X)

 Single Use Part

2M00-018 10/25/2006



© 2022 General Motors

Make: Pontiac

Year: 2009

Model: Solstice

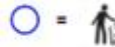
P - Pontiac>2009>M - 2M9 - Solstice>00 - 4-CYLINDER ENGINE>(2M00-018) 2007-2010 M ENGINE ASM-2.0L L4 PART 7 EXHAUST MANIFOLD & TURBOCHARGER (LNF/2.0X)

Call	Part #	Group	H	Description	Usage	Year	Qty
600	12612286	DISCON		SHIELD, EXH MANIF UPR HT	M (LNF)	2007 - 2010	01
601	11588723	08.900		BOLT, HFH, M8X1.25X25, 18 THD, 18 OD, 8.8 STL, GMW3359, M-PT (EXH MANIF H/SHLD) (Service Lane Part)		2007 - 2010	03
602	12622668	03.270		GASKET, EXH MANIF (Service Lane Part)	M (LNF)	2007 - 2010	01
603	12602397	03.601		MANIFOLD, EXH (Service Lane Part)	M (LNF)	2007 - 2010	01
604	11589054	08.981		STUD, STRAIGHT, M8X1.25X20, M8X1.25X16,W/ADH GM6175M,10.9,GM7111M,HDR (EXH MANIF) (Service Lane Part)		2007 - 2010	10
605	90424073	03.604		NUT, EXH MANIF	M (LNF)	2009 - 2010	01
606	12618586	03.342		GASKET, TURBO (ACDelco #12618586)	M (LNF)	2007 - 2010	01
607	11609953	03.275		STUD, EXH MANIF (M8X1.25X11.5,M8X1.25X24,46 TL, STAINLESS) (ACDelco #11609953) (Service Lane Part)	M (LNF)	2007 - 2009	04
608	12589380	03.682		SENSOR, HTD OXY (POSN 1) (IN EXH MANIFOLD/CROSSOVER) (ACDelco #213-3844) (Service Lane Part)	M (LNF)	2007 - 2010	01
GM Note: Refer to GM Service Information for required programming and/or special setup procedures.							
609	12609878	03.611		GASKET, TURBO EXH PIPE (GROOVED RING STYLE)	M (LNF)	2007 - 2010	01
610	11561946	03.358		BOLT, TURBO OIL FEED PIPE (PART OF 625) (ACDelco #11561946)	M (LNF)	2007 - 2010	02
611	28289992	03.342		TURBOCHARGER, CMPR AIR INT (WHEN USING TURBOCHARGER 12658317,2009 OR LTR DES,ON 2008 OR EARLIER VEHS,IT MAY BE NECESSARY TO REPL OIL FEED PIPE 12622404 W/2009 & LTR OIL FEED) (SEE GROUP 03.000 "TURBOCHARGER & MOUNTING" FOR DETAILED ILLUSTRATED VIEW) (ACDelco #28289992) (PIPE 12625383)	M (LNF)	2007 - 2010	01

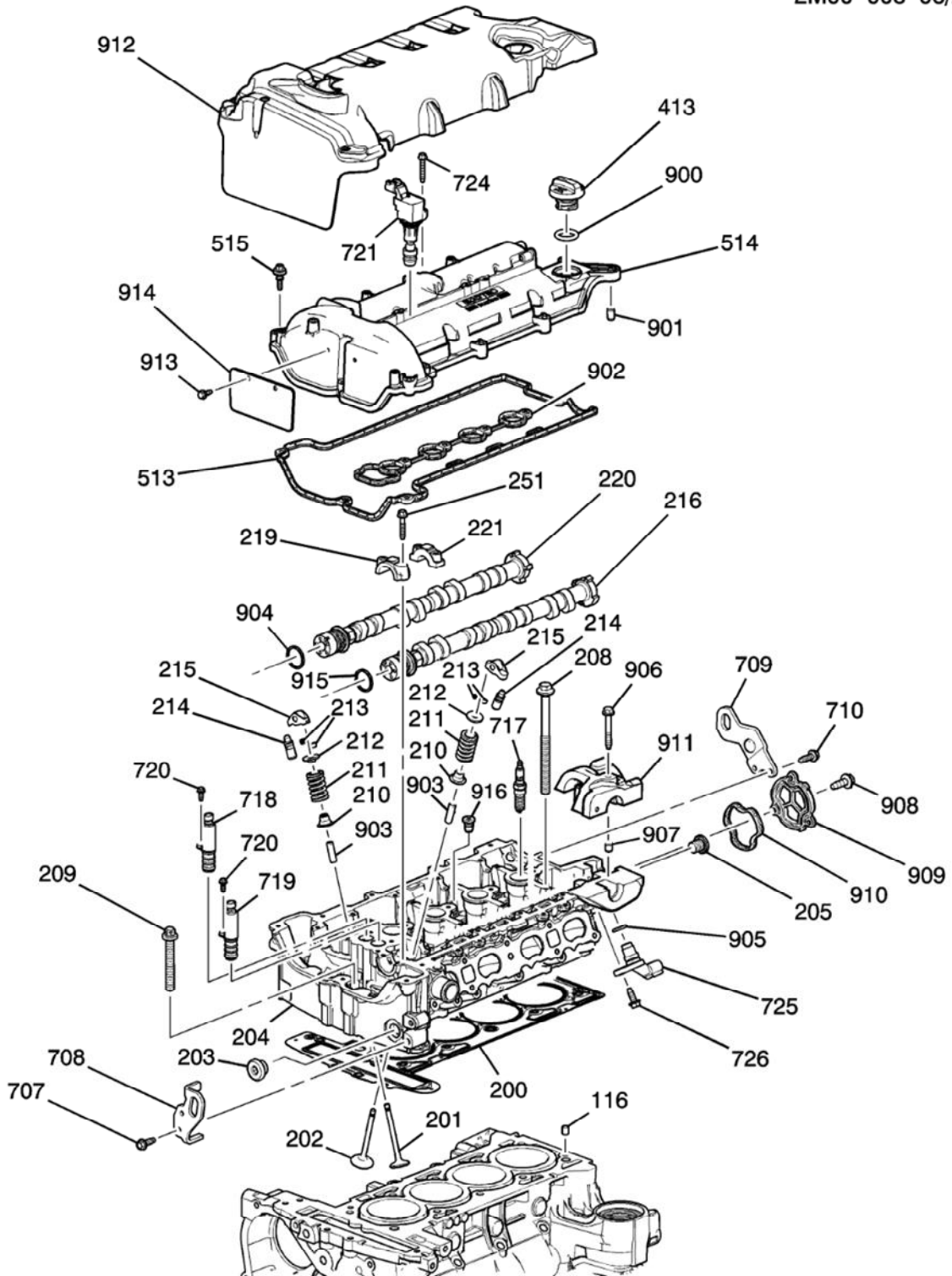
Call	Part #	Group	H	Description	Usage	Year	Qty
612	12626611	DISCON		PIPE, TURBO COOL FEED (SEE GROUP 03.000 "TURBOCHARGER/COOLANT PIPES" FOR DETAILED ILLUSTRATED VIEW) (INCLS 613,614)	M (LNF)	2009 - 2010	01
613	12593792	03.358		FITTING, TURBO COOL FEED PIPE (PART OF 612) (ACDelco #12593792)	M (LNF)	2007 - 2010	01
614	11561875	03.374		BOLT, TURBO COOL FEED & RTN PIPE (PART OF 612) (ACDelco #11561875)	M (LNF)	2007 - 2010	02
615	11588835	03.685		NUT, HFH, M8X1.25, 10 THK, 17.6 OD, 409CB, M6340 (TURBO) (8.915) (ACDelco #11588835) (Service Lane Part)		2007 - 2010	04
616	12589435	03.358		GASKET, TURBO OIL RTN HOSE CONN (PART OF 617) (ACDelco #12589435)	M (LNF)	2007 - 2010	01
617	12612815	03.358		HOSE, TURBO OIL RTN (SEE GROUP 03.000 "TURBOCHARGER/OIL LINES" FOR DETAILED ILLUSTRATED VIEW) (INCLS 616) (ACDelco #12612815)	M (LNF)	2008 - 2010	01
618	11588711	08.900		BOLT, HFH,M6X1X16, 10 THD, 14.2 OD, 8.8 STL, GMW3359 (TURBO OIL RTN PIPE) (Service Lane Part)		2007 - 2010	02
619	12618973	03.374		PIPE, TURBO COOL RTN (SEE GROUP 03.000 "TURBOCHARGER/COOLANT PIPES" FOR DETAILED ILLUSTRATED VIEW) (INCLS 620) (ACDelco #12618973)	M (LNF)	2007 - 2010	01
620	11561875	03.374		BOLT, TURBO COOL FEED & RTN PIPE (PART OF 619) (ACDelco #11561875)	M (LNF)	2007 - 2010	02
621	15709703	08.915		NUT, HEX 10X1.5THD,21.8 OD SS (TURBO BRKT BR)		2007 - 2010	01
622	12589452	03.342		BRACE, TURBO (ACDelco #12589452)	M (LNF)	2007 - 2010	01
623	15709703	08.915		NUT, HEX 10X1.5THD,21.8 OD SS (TURBO BR)		2007 - 2010	01
624	11609870	03.342		STUD, TURBO BRKT BRKT (M10X1.5X20.25,M10X1.5X14.75) (3.613)	M (LNF)	2007 - 2010	03
625	12708763	03.358		PIPE, TURBO OIL FEED (SEE GROUP 03.000 "TURBOCHARGER/OIL LINES" FOR DETAILED ILLUSTRATED VIEW) (INCLS 610)	M (LNF)	2009 - 2010	01
626	11609870	03.613		STUD, TURBO EXH PIPE (M10X1.5X20.25,M10X1.5X14.75)	M (LNF)	2007 - 2010	03

Call	Part #	Group	H	Description	Usage	Year	Qty
627	12609268	DISCON		CONVERTER, 3WAY CTLTC (SEE GROUP 03.000 "EXHAUST SYSTEM" FOR DETAILED ILLUSTRATED VIEW)	M (LNF)	2007 - 2010	01
628	15709703	08.915		NUT, HEX 10X1.5THD,21.8 OD SS (CTLTC CONV)		2007 - 2010	04
629	12606566	01.762		HOSE, PCV (Service Lane Part)	M (LNF)	2007 - 2010	01

P - Pontiac>2009>M - 2M9 - Solstice>00 - 4-CYLINDER ENGINE>(2M00-008) 2008-2009 M ENGINE ASM-2.0L L4 PART 2 CYLINDER HEAD & RELATED PARTS (LNF/2.0X)

 Single Use Part

2M00-008 06/29/2011



Make: Pontiac

Year: 2009

Model: Solstice

P - Pontiac>2009>M - 2M9 - Solstice>00 - 4-CYLINDER ENGINE>(2M00-008) 2008-2009 M ENGINE ASM-2.0L L4 PART 2 CYLINDER HEAD & RELATED PARTS (LNF/2.0X)



Call	Part #	Group	H	Description	Usage	Year	Qty
116	90537102	00.293		PIN, CYL HD LOC (Service Lane Part)	M (LNF)	2008 - 2009	04
200	12589346	00.289		GASKET, CYL HD (REPLACE CYL HEAD BOLTS WHEN REPLACING CYL HEAD GASKET) (*KIT1) (ACDelco #12589346) (Service Lane Part)	M (LNF)	2008 - 2009	01
201	12657044	00.297		VALVE, EXH (Service Lane Part)	M (LNF)	2008 - 2009	08
202	55563529	00.296		VALVE, INT (Service Lane Part)	M (LNF)	2008 - 2009	08
203	11588880	00.206		PLUG, TMG CHAIN GDE ACC HOLE (PART OF 204) (Service Lane Part)	M (LNF)	2008 - 2009	01
204	12616487	00.269		HEAD, CYL (MCHG) (INCLS 203,205,219,221,251,903,906,907, 911,916) (COMPLETE HEAD)	M (LNF)	2008 - 2009	01
204	12626384	00.269		HEAD, CYL (MCHG) (INCLS 203,205,219,221,251,903,906,907, 911,916) (LESS VALVES)	M (LNF)	2008 - 2009	01
205	11588547	00.253		PLUG, CYL HD OIL GAL (PART OF 204) (M12X1.75X16.5) (20. SOD) (W/SEALANT) (ACDelco #11588547) (Service Lane Part)	M (LNF)	2008 - 2009	03
208	90537691	00.293		BOLT, CYL HD (M11X1.5X163) (*KIT1) (ACDelco #90537691) (Service Lane Part)	M	2008 - 2009	10
209	24407225	00.293		BOLT, CYL HD (M8X1.25X60) (*KIT1) (ACDelco #24407225) (Service Lane Part)	M (LE5,LNF)	2008 - 2009	04
210	90537241	00.308		SEAL, VLV STEM OIL (*KIT1) (Service Lane Part)	M (LNF)	2008 - 2009	16
211	90537032	00.303		SPRING, VLV (Service Lane Part)	M (LNF)	2008 - 2009	16
212	90537243	00.303		RETAINER, VLV SPR (Service Lane Part)	M (LNF)	2008 - 2009	16
213	90354648	00.310		KEY, VLV STEM (ACDelco #90354648) (Service Lane Part)	M (LNF)	2008 - 2009	32
214	12572638	00.459		ADJUSTER, HYD VLV LASH (ACDelco #12572638) (Service Lane Part)	M (LNF)	2008 - 2009	16

Call	Part #	Group	H	Description	Usage	Year	Qty
215	12693909	00.333		ARM, VLV RKR (ACDelco #12693909) (Service Lane Part)	M (LNF)	2008 - 2009	16
216	12589335	00.519		CAMSHAFT, INT (INCLS 915) (Service Lane Part)	M (LNF)	2008 - 2009	01
219		NS		CAP, CM/SHF BRG (PART OF 204)		2008 - 2009	
220	12589340	00.519		CAMSHAFT, EXH (INCLS 904) (Service Lane Part)	M (LNF)	2008 - 2009	01
221		NS		CAP, CM/SHF BRG (PART OF 204)		2008 - 2009	
251	11519970	00.539		BOLT, HFH,M6X1X40,18 THD, 14.2 OD,8.8 STL, GMW3359 (PART OF 204) (8.900) (ACDelco #11519970) (Service Lane Part)		2008 - 2009	20
413	12583570	01.758		CAP, OIL FIL (MOBIL 1 SAE 5W30, W/SEAL) (INCLS 900) (NON VENTED) (ACDelco #FC215) (Service Lane Part)	M (LNF)	2008 - 2009	01
513	12609291	00.423		GASKET KIT, CM/SHF CVR (INCLS 902) (Service Lane Part)	M (LNF)	2008 - 2009	01
514	12612781	00.386		COVER, CM/SHF (INCLS 515,901,913,914) (WHEN REPLACING CAM COVER, MUST ORDER PVC HOSE WITH CAM COVER) (INCLS CVR,SEALS,BOLTS,INSULATOR)	M (LNF)	2009 - 2009	01
515	11519970	00.539		BOLT, HFH,M6X1X40,18 THD, 14.2 OD,8.8 STL, GMW3359 (PART OF 514) (8.900) (ACDelco #11519970) (Service Lane Part)		2008 - 2009	11
707	11589311	08.900		BOLT, HFH, M8X1.25X29, 20 THD, 18 OD, 8.8 STL, GMW3359, M-PT (ENG LIFT FRT BRKT) (Service Lane Part)		2008 - 2009	02
708	12617527	00.004		BRACKET, ENG LIFT FRT (Service Lane Part)	M (LNF)	2008 - 2009	01
709	12580019	00.004		BRACKET, ENG LIFT RR (Service Lane Part)	M (LNF)	2008 - 2009	01
710	11589311	08.900		BOLT, HFH, M8X1.25X29, 20 THD, 18 OD, 8.8 STL, GMW3359, M-PT (ENG LIFT RR BRKT) (Service Lane Part)		2008 - 2009	02
717	12681658	02.270		SPARK PLUG, GAS ENG IGN (SPARK PLUG IS PRE-GAPPED,DO NOT CHANGE) (ACDelco #41-108) (IRIDIUM) (Service Lane Part)	M (LNF)	2008 - 2009	04
718	12679100	00.736		VALVE, CM/SHF POSN ACTR EXH SOL (INCLS 720) (MATING CONN W/LEADS USE 19178093) (ACDelco #12679100) (Service Lane Part)	M (LNF)	2008 - 2009	01

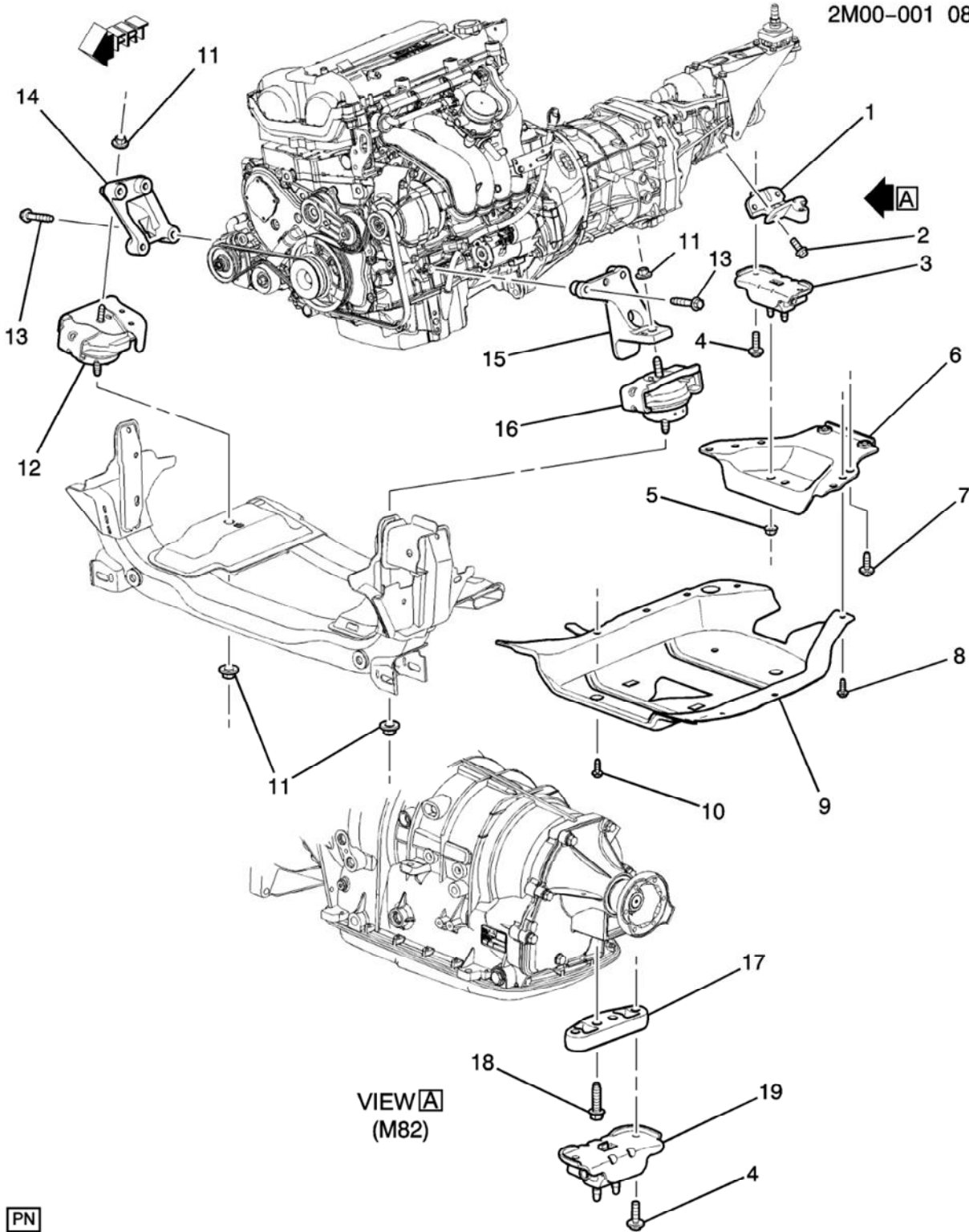
Call	Part #	Group	H	Description	Usage	Year	Qty
719	12679099	00.736		VALVE, CM/SHF POSN ACTR INT SOL (INCLS 720) (MATING CONN 13587320 2-WAY F W/LEADS) (ACDelco #12679099) (Service Lane Part)	M (LNF)	2008 - 2009	01
720	11588279	00.736		BOLT, HFH,M10X1.5X80, 26 THD, 22.3 O.D., 10.9,GM4277M (PART OF 718,719) (8.900) (ACDelco #11588279) (Service Lane Part)		2008 - 2009	02
721	12638824	02.170		COIL, IGN (INCLS 724) (ACDelco #D522C) (Service Lane Part)	M (LNF)	2008 - 2009	04
724	11589083	02.183		BOLT, IGN COIL (PART OF 721) (M6X48) (Service Lane Part)	M (LNF)	2008 - 2009	01
725	12674704	02.383		SENSOR, CM/SHF POSN (INCLS 726,905) (ACDelco #12674704) (Service Lane Part)	M (LE5,LNF)	2008 - 2009	02
726	11588712	08.900		BOLT, HFH,M6X1X20,17.5 THD,14.2 O.D.,8.8, GMW3359 (PART OF 725) (Service Lane Part)		2008 - 2009	02
900	24100002	01.758		SEAL, OIL FIL CAP (O RING) (PART OF 413) (27.94MM INNER DIAM) (SIZE #320) (1.745) (ACDelco #24100002) (Service Lane Part)	M	2008 - 2009	02
901	12607128	00.413		PIN, CM/SHF CVR LOC (PART OF 514) (Service Lane Part)	M (LNF)	2008 - 2009	01
902		NS		SEAL, CM/SHF CVR (PART OF 513)		2008 - 2009	
903		NS		GUIDE, VLV (PART OF 204)		2008 - 2009	
904	12574477	00.539		SEAL, CM/SHF RR OIL (PART OF 220) (0.736) (ACDelco #12574477) (Service Lane Part)	M (LNF)	2008 - 2009	02
905		NS		SEAL, CM/SHF POSN SEN (O RING) (PART OF 725)		2008 - 2009	
906	11609577	00.539		BOLT, CM/SHF BRG RR CAP (PART OF 204) (M6X1X55,18 THD) (14.2 OD,8.8,GMW3359,M POINT) (0.659) (Service Lane Part)	M (LNF)	2008 - 2009	03
907	90537104	00.539		PIN, CM/SHF BRG RR CAP LOC (PART OF 204) (10MM HOLLOW SPLIT PIN) (Service Lane Part)	M (LNF)	2008 - 2009	02
908	11588712	08.900		BOLT, HFH,M6X1X20,17.5 THD,14.2 O.D.,8.8, GMW3359 (PART OF 909) (Service Lane Part)		2008 - 2009	03
909	12589459	00.293		PLATE, CYL HD OPG (INCLS 908,910) (Service Lane Part)	M (LNF)	2008 - 2009	01

Call	Part #	Group	H	Description	Usage	Year	Qty
910	12589461	00.293		SEAL, CYL HD OPG PLT (O RING) (PART OF 909) (ACDelco #12589461) (Service Lane Part)	M (LNF)	2008 - 2009	01
911		NS		CAP, CM/SHF BRG RR (PART OF 204)		2008 - 2009	
912	12609336	DISCON		SHIELD, ENG (SOUND ABSORBER) (W/O BOLT/SCREW) (**VPI 1-877-846-8243)	M (LNF)	2008 - 2009	01
913	11588712	08.900		BOLT, HFH,M6X1X20,17.5 THD,14.2 O.D.,8.8, GMW3359 (PART OF 514) (Service Lane Part)		2008 - 2009	02
914	12612784	00.413		INSULATOR, CM/SHF HSG CVR (PART OF 514) (Service Lane Part)	M (LNF)	2008 - 2009	01
915	12574477	00.539		SEAL, CM/SHF FRT OIL (PART OF 216) (0.736) (ACDelco #12574477) (Service Lane Part)	M (LNF)	2008 - 2009	04
916	11561751	00.293		PLUG, CYL HD WAT JKT HOLE (PART OF 204) (M20X1.5X30.5) (1.531) (Service Lane Part)	M (LNF)	2008 - 2009	03
K01	12609290	00.289		GASKET KIT, CYL HD (INCLS 200,208-210) (LESS VLV COVER GSKTS) (Service Lane Part)	M (LNF)	2008 - 2009	01

P - Pontiac>2009>M - 2M9 - Solstice>00 - 4-CYLINDER ENGINE>(2M00-001) 2006-2010 M ENGINE & TRANSMISSION MOUNTING

 =  Single Use Part

2M00-001 08/08/2006



© 2022 General Motors

Make: Pontiac

Year: 2009

Model: Solstice

P - Pontiac>2009>M - 2M9 - Solstice>00 - 4-CYLINDER ENGINE>(2M00-001) 2006-2010 M ENGINE & TRANSMISSION MOUNTING

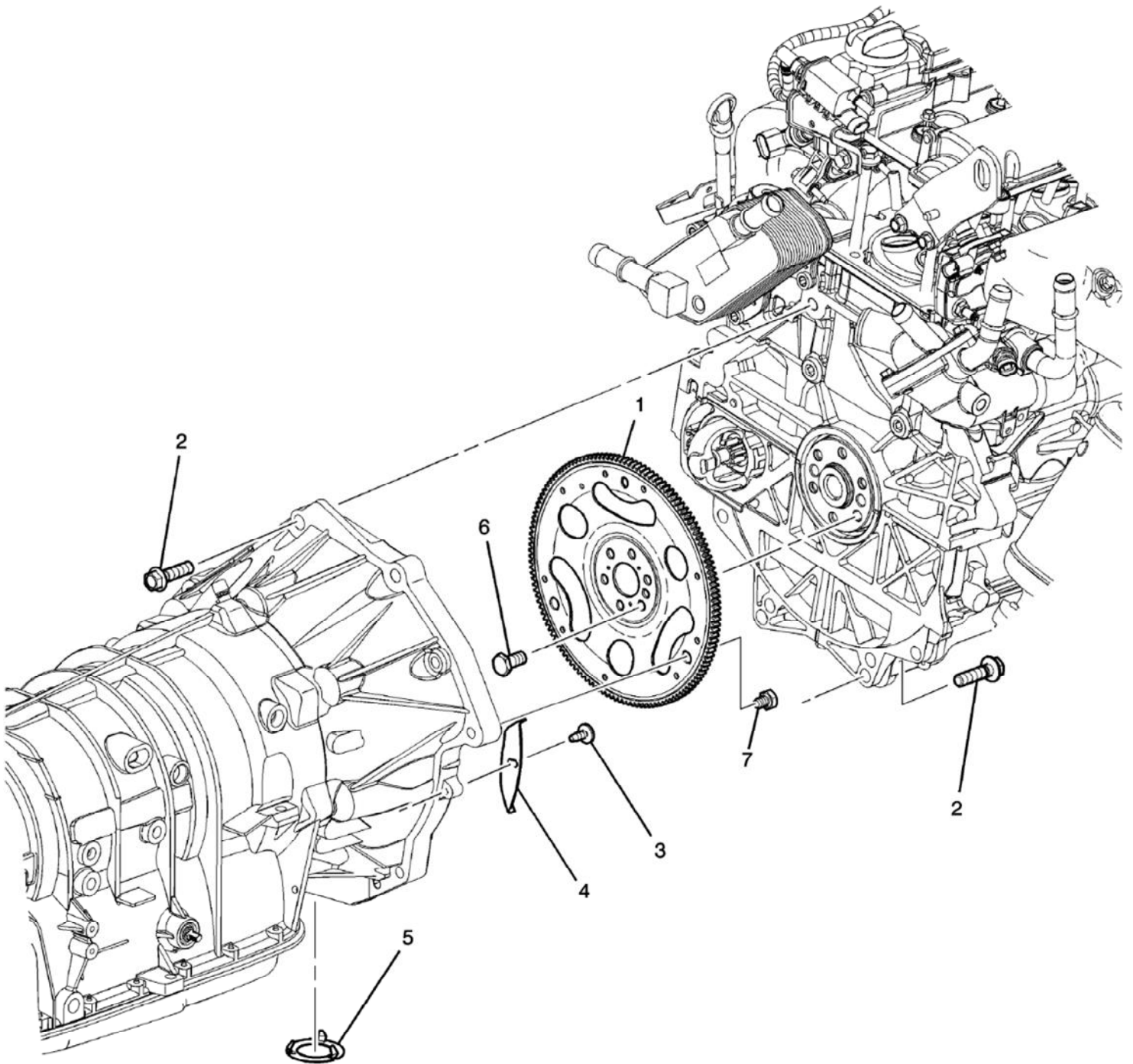
Call	Part #	Group	H	Description	Usage	Year	Qty
1	10345240	DISCON		ADAPTER, TRANS MT	M (MA5,Z0K)	2007 - 2009	01
1	10381819	04.083		ADAPTER, TRANS MT (Service Lane Part)	M (M82)	2006 - 2010	01
2	11516328	08.900		BOLT, HFH,M10X1.5X30,22 O.D.,HDR PT,10.9,7114M (TRANS MT BRKT) (Service Lane Part)		2006 - 2010	04
3	15287646	DISCON		MOUNT, TRANS RR	M (M82)	2006 - 2010	01
3	15287646	DISCON		MOUNT, TRANS RR	M (MA5)	2006 - 2010	01
4	11589165	08.900		BOLT, HEX W/CON WA,M10X1.5X34.8,22 THD,28 OD,10.9, GMW3359, M-PT (TRANS MT ADAP) (ACDelco #11589165) (Service Lane Part)		2006 - 2010	02
5	11517996	08.917		NUT, HFH,M10X1.5,11.2 THK,21.5 OD,10,7111M,ALL METAL PREV TORQ (TRANS RR MT) (ACDelco #11517996) (Service Lane Part)		2006 - 2010	02
6	15833877	DISCON		REINFORCEMENT, TRANS SUPT	M (MA5,Z0K)	2008 - 2010	01
6	15833877	DISCON		REINFORCEMENT, TRANS SUPT	M (M82)	2007 - 2010	01
7	11589166	08.900		BOLT, HEX W/CON WA,M10X1.5X39.8,25.45 THD,28 OD,10.9, GMW3359, M-PT (TRANS MT) (Service Lane Part)		2006 - 2010	04
8	11516569	08.908		BOLT, HEX HD,W/FLAT WA,M6X1X30,P-PT,9.8,7114M (TRANS SUPT) (Service Lane Part)		2006 - 2010	01
9	15878244	12.980		PANEL, FLR PNL TUN (LWR CLOSEOUT FRT)	M	2006 - 2010	01
10	11610199	08.908		BOLT, HEX W/CON WA,M6X1X30, 21 THD, 17 OD, 8.8, GMW3359 (FLR PNL TUN REINF) (Service Lane Part)		2006 - 2010	09
11	11516754	08.915		NUT, HEX,W/CON SPR WA,M10X1.5,10THK,28 O.D.,10,7111M (ENG MT BRKT) (Service Lane Part)		2006 - 2010	04
12	21999166	00.027	R	MOUNT, ENG FRT (ACDelco #21999166) (Service Lane Part)	M	2006 - 2010	01

Call	Part #	Group	H	Description	Usage	Year	Qty
13	11589340	00.029		BOLT, ENG MT ENG SI BRKT (M10X1.5X60,28THD) (4.083) (Service Lane Part)	M	2006 - 2010	07
14	10345238	00.029	R	BRACKET, ENG MT (Service Lane Part)	M	2006 - 2010	01
15	15876977	00.029	L	BRACKET, ENG MT (Service Lane Part)	M	2006 - 2010	01
16	10351213	00.027	L	MOUNT, ENG FRT (ACDelco #10351213) (Service Lane Part)	M	2006 - 2010	01
17	10381819	04.083		ADAPTER, TRANS MT (Service Lane Part)	M (M82)	2006 - 2010	01
18	11588741	04.085		BOLT, TRANS MT BRKT (M10X1.5X45) (2.042) (ACDelco #11588741) (Service Lane Part)	M (M82)	2006 - 2010	02
19	15287646	DISCON		MOUNT, TRANS RR	M (M82)	2007 - 2010	01

P - Pontiac>2009>M - 2M9 - Solstice>00 - 4-CYLINDER ENGINE>(2M00-009) 2006-2010 M ENGINE TO TRANSMISSION MOUNTING (M82)

 =  Single Use Part

2M00-009 10/06/2008



Make: Pontiac

Year: 2009

Model: Solstice

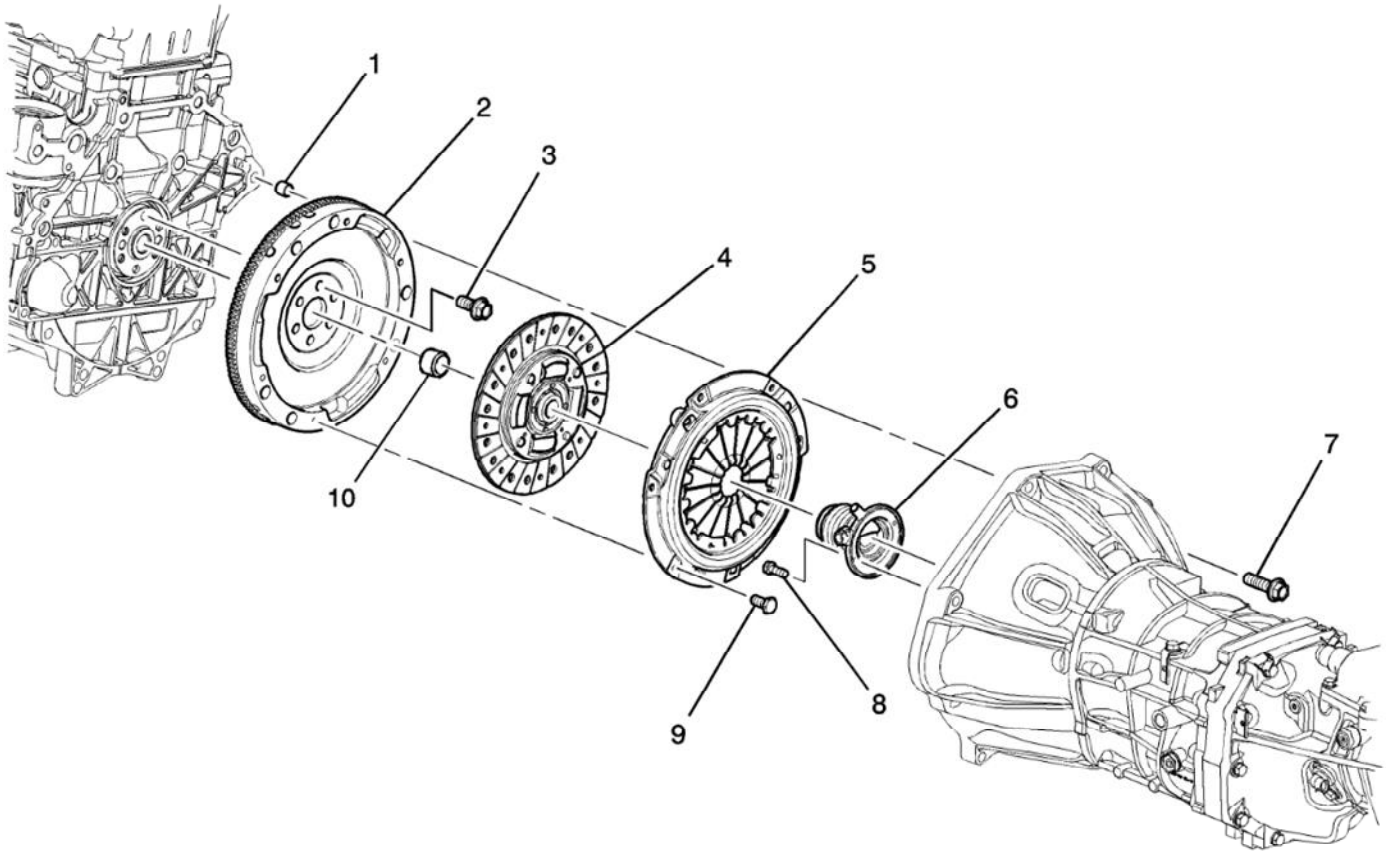
P - Pontiac>2009>M - 2M9 - Solstice>00 - 4-CYLINDER ENGINE>(2M00-009) 2006-2010 M ENGINE TO TRANSMISSION MOUNTING (M82)

Call	Part #	Group	H	Description	Usage	Year	Qty
1	12589349	00.666		PLATE, A/TRNS FLEX (FOR 3 BOLT TORQUE CONVERTERS) (Service Lane Part)	M (LNF)	2007 - 2009	01
1	12647333	00.666		PLATE, A/TRNS FLEX (Service Lane Part)	M (LE5)	2006 - 2010	01
2	11516331	08.900		BOLT, METRIC HVY HFH (M12X1.75X50) (PZOR) (TRANS) (Service Lane Part)		2006 - 2010	09
3	11561674	08.900		BOLT, HEX W/FL WA,M6X1X20,12 THD,24 OD,9.8,GMW3359, M-PT (TRANS CVR) (Service Lane Part)		2006 - 2010	01
4	24236514	04.105		COVER, TRANS (ACDelco #24236514) (Service Lane Part)	M (M82)	2006 - 2009	01
5	24205900	04.104		COVER, T/CV HSG ACC HOLE (62MM W/3 TANGS) (LARGE CVR) (ACDelco #24205900) (Service Lane Part)	M (M82)	2006 - 2010	01
6	90236536	00.669		BOLT, A/TRNS FLEX PLT (M10X1.25X18) (Service Lane Part)	M (LNF)	2007 - 2010	08
6	90236536	00.669		BOLT, A/TRNS FLEX PLT (M10X1.25X18) (Service Lane Part)	M (LE5)	2006 - 2010	06
7	11588468	04.115		BOLT, TRANSAXLE T/CV (M10X1.5X15) (Service Lane Part)	M (M82)	2008 - 2010	03

P - Pontiac>2009>M - 2M9 - Solstice>00 - 4-CYLINDER ENGINE>(2M00-002) 2007-2010 M CLUTCH (LNF/2.0X, MAS)

 =  Single Use Part

2M00-002 10/30/2006



© 2022 General Motors

Make: Pontiac

Year: 2009

Model: Solstice

P - Pontiac>2009>M - 2M9 - Solstice>00 - 4-CYLINDER ENGINE>(2M00-002) 2007-2010 M CLUTCH (LNF/2.0X, MA5)

Call	Part #	Group	H	Description	Usage	Year	Qty
1	90351708	00.685		PIN, TRANS LOC (18.5MM OD X12MM LONG) (0.219) (ACDelco #90351708) (Service Lane Part)	M (LNF)	2007 - 2010	02
2	24233204	00.666		FLYWHEEL, ENG (Service Lane Part)	M (LNF,MA5)	2007 - 2010	01
3	11562103	08.907		SCREW, INT HEX SOCKET,M10X1.25X26,23 THD,16 OD,10.9, GMW3179,W/ADH 617 (FLYWHL) (Service Lane Part)		2007 - 2010	08
4		NS		PLATE, CLU DRVN (PART OF 5)		2007 - 2010	
5	24241164	00.859		PLATE, CLU PRESS & DRVN (W/CVR) (INCLS 4) (Service Lane Part)	M (LNF,MA5)	2007 - 2010	01
6	24249824	00.780		CYLINDER, CLU ACTR (Service Lane Part)	M (LNF,MA5)	2007 - 2010	01
7	11516331	08.900		BOLT, METRIC HVY HFH (M12X1.75X50) (PZOR) (TRANS) (Service Lane Part)		2007 - 2010	09
8	11588712	08.900		BOLT, HFH,M6X1X20,17.5 THD,14.2 O.D.,8.8, GMW3359 (CLU ACTR CYL) (Service Lane Part)		2007 - 2010	02
9	11570368	00.862		BOLT, CLU PRESS PLT (M8X1.25X16) (Service Lane Part)	M (LNF,MA5)	2007 - 2009	06
10	90105743	00.649		BEARING, CLU PILOT (ACDelco #90105743) (Service Lane Part)	M (LNF)	2007 - 2010	01