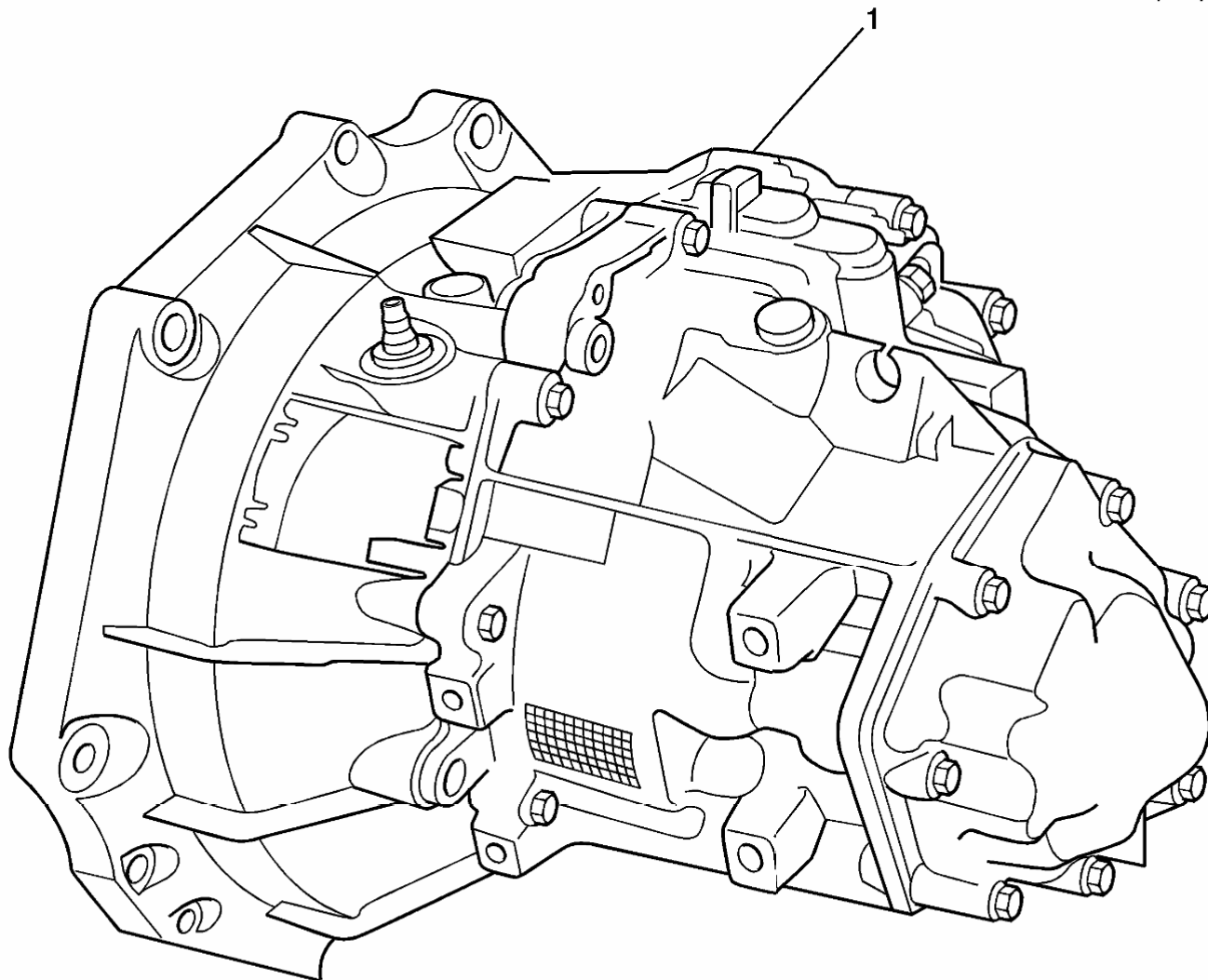


C - Chevrolet >2007 >A - 1A1 - Cobalt >04 - 5-SPEED MANUAL TRANSMISSION >(MA04-038) 2005-2010 AP 5-SPEED MANUAL  
TRANSAXLE (MU3) PART 1 COMPLETE >

MA04-038 09/10/2004



rb



Make: Chevrolet

Year: 2007

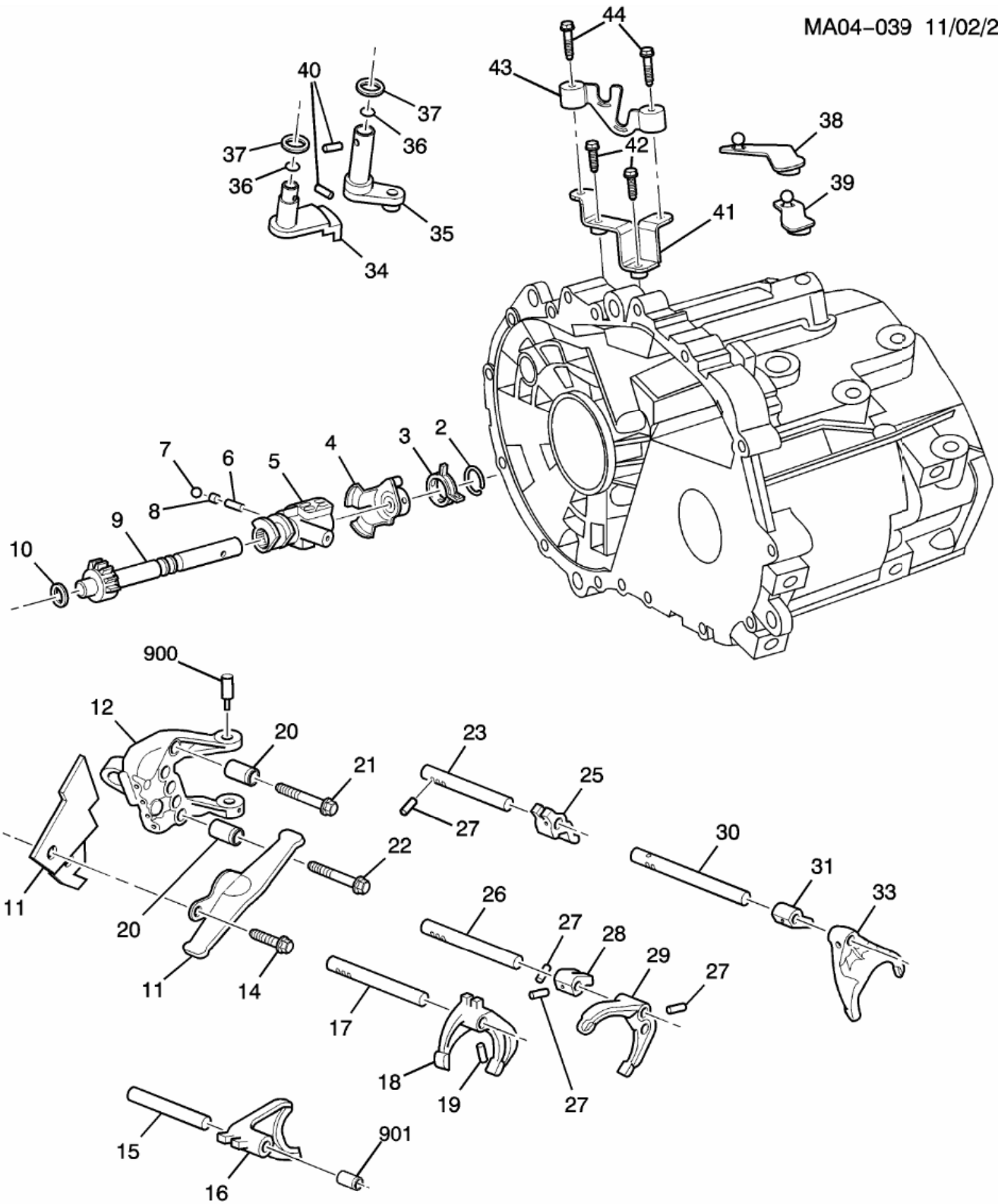
Model: Cobalt

C - Chevrolet >2007 >A - 1A1 - Cobalt >04 - 5-SPEED MANUAL TRANSMISSION >(MA04-038) 2005-2010 AP 5-SPEED MANUAL  
TRANSAXLE (MU3) PART 1 COMPLETE >

Call	Part #	Group	H	Description	Usage	Year	Qty
1	55560937	04.003		TRANSAXLE, MAN (4.05 RATIO)	A (LSJ,MU3) (EXC G85)	2006 - 2007	01
1	55563239	04.003		TRANSAXLE, MAN (4.05 RATIO)	A (LSJ,MU3,G85)	2006 - 2007	01

C - Chevrolet >2007 >A - 1A1 - Cobalt >04 - 5-SPEED MANUAL TRANSMISSION >(MA04-039) 2005-2010 AP 5-SPEED MANUAL TRANSMISSION (MU3) PART 2 SHIFTER FORKS AND COMPONENTS >

MA04-039 11/02/2009



Make: Chevrolet

Year: 2007

Model: Cobalt

## C - Chevrolet &gt;2007 &gt;A - 1A1 - Cobalt &gt;04 - 5-SPEED MANUAL TRANSMISSION &gt;(MA04-039) 2005-2010 AP 5-SPEED MANUAL TRANSAXLE (MU3) PART 2 SHIFTER FORKS AND COMPONENTS &gt;

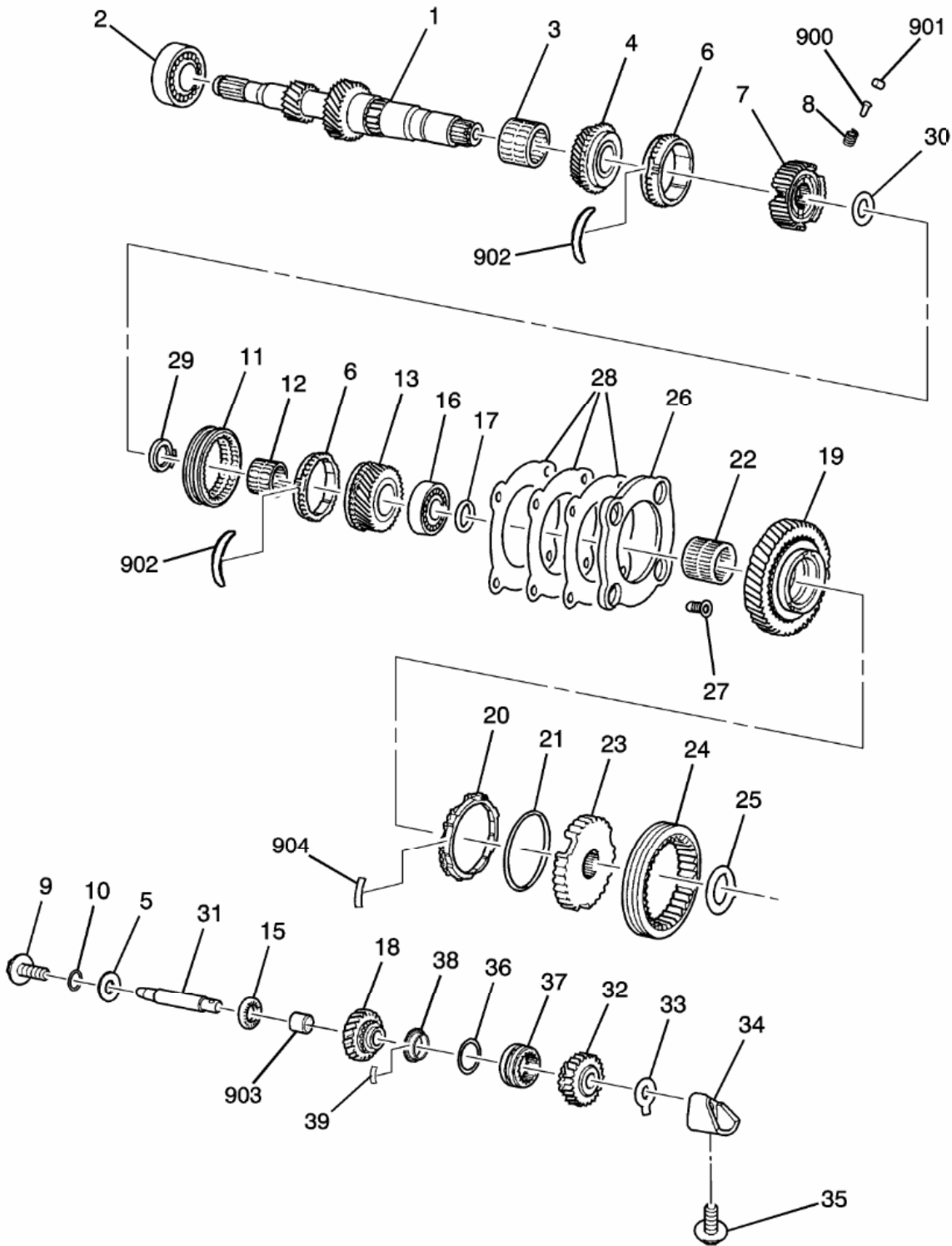
Call	Part #	Group	H	Description	Usage	Year	Qty
2	92150826	04.302		RING, SHFT CONT LVR RET (4.307) (Service Lane Part)	A (MU3)	2005 - 2010	01
3	90490916	04.302		SPRING, SHFT CONT LVR (TORSIONAL) (4.311) (Service Lane Part)	A	2005 - 2010	01
4	90490885	04.006		LEVER, SHFT CONT (4.303) (Service Lane Part)	A (MU3)	2005 - 2010	01
5	90490988	04.010		HOUSING, SHFT CONT (INCLS 8)	A (MU3)	2005 - 2010	01
6	90490875	04.302		SPRING, SHFT CONT LVR (COMPRESSION) (4.311) (Service Lane Part)	A	2005 - 2010	01
8	90490874	04.311		BUSHING, SHFT SHF DTNT (PART OF 5) (Service Lane Part)	A (MU3)	2005 - 2010	01
9	55352908	04.309		SHAFT, SHFT CONT LVR (Service Lane Part)	A (MU3)	2005 - 2010	01
10	90490883	04.302		WASHER, SHFT CONT SHF (Service Lane Part)	A (MU3)	2005 - 2009	01
11	12791531	04.302		LEVER, SHFT CONT SHF DTNT (Service Lane Part)	A (MU3)	2005 - 2010	01
12	12791523	04.302		BRACKET, SHFT CONT LVR (INCLS 20) (4.303) (Service Lane Part)	A (MU3)	2005 - 2010	01
14	90444633	04.302		BOLT, SHFT LVR (Service Lane Part)	A (MU3)	2005 - 2010	01
15	30546049	04.309		SHAFT, REV SHFT (FORK) (Service Lane Part)	A (MU3)	2005 - 2010	01
16	90511047	04.303		FORK, REV SHFT (INCLS 901) (Service Lane Part)	A (MU3)	2005 - 2010	01
17	90490925	04.309		SHAFT, 1ST & 2ND SHFT (Service Lane Part)	A (MU3)	2005 - 2010	01

							y
18	55353499	04.303		FORK, 1ST & 2ND SHFT (Service Lane Part)	A (MU3)	2005 - 2010	01
19	12755021	04.302		PIN, SHFT CONT LVR (4.307) (Service Lane Part)	A (MU3)	2005 - 2010	07
20	30516581	04.302		BUSHING, SHFT CONT LVR BRKT (PART OF 12) (4.303) (Service Lane Part)	A (MU3)	2005 - 2010	02
21	55561609	04.010		BOLT, SHFT CONT LVR BRKT (Service Lane Part)	A (MU3)	2006 - 2010	02
22	55354192	04.435		BOLT, REV IDLER GR SHF BRKT (4.010) (Service Lane Part)	A (MU3)	2005 - 2010	01
23	90490917	04.309		SHAFT, REV INTLK (Service Lane Part)	A (MU3)	2005 - 2010	01
25	90490882	04.302		LEVER, REV SHFT (Service Lane Part)	A (MU3)	2005 - 2010	01
26	55352906	04.309		SHAFT, 3RD & 4TH SHFT (Service Lane Part)	A (MU3)	2005 - 2010	01
27	12755021	04.302		PIN, SHFT CONT LVR (4.307) (Service Lane Part)	A (MU3)	2005 - 2010	07
28	90490881	04.303		BLOCK, 3RD & 4TH SHFT (4.302) (Service Lane Part)	A (MU3)	2005 - 2010	01
29	12755213	04.303		FORK, 3RD & 4TH SHFT (Service Lane Part)	A (MU3)	2005 - 2010	01
30	55352905	04.309		SHAFT, 5TH SHFT (Service Lane Part)	A (MU3)	2005 - 2010	01
31	90490880	04.303		BLOCK, 5TH SHFT (Service Lane Part)	A (MU3)	2005 - 2010	01
33	90544044	04.303		FORK, 5TH SHFT (Service Lane Part)	A (MU3)	2005 - 2010	01
34	12791521	04.045		LEVER, M/TRNS SEL (4.302) (Service Lane Part)	A (MU3)	2005 - 2010	01
35	55556842	04.302		SHAFT, SHFT CONT (Service Lane Part)	A (MU3)	2005 - 2009	01
36	90490914	04.012		GASKET, M/TRNS SEL LVR (4.311) (Service Lane Part)	A (MU3)	2005 - 2009	02

							y
37	90490913	04.012		WASHER, M/TRNS SEL LVR (4.302) (Service Lane Part)	A (MU3)	2005 - 2010	02
38	55563737	04.302		LEVER, SHFT CONT (Service Lane Part)	A (MU3)	2005 - 2007	01
39	55563735	04.302		LEVER, SEL CONT (Service Lane Part)	A (MU3)	2006 - 2007	01
40	90490900	04.302		PIN, SEL CONT LVR (Service Lane Part)	A (MU3)	2005 - 2010	02
41	55561641	04.010		BRACKET, M/TRNS CONT (INCLS 43,44) (Service Lane Part)	A (MU3)	2006 - 2007	01
42	55561609	04.010		BOLT, SHFT CONT LVR BRKT (Service Lane Part)	A (MU3)	2006 - 2010	02
43		NS		BRACKET, M/TRNS SEL & SHFT LVR CBL UPR (PART OF 41)		2005 - 2010	
44		NS		BOLT, M/TRNS SEL & SHFT LVR CBL UPR BRKT (PART OF 41)		2005 - 2010	
900	55352918	04.303		GUIDE, SHFT CONT SHF BLK (Service Lane Part)	A (MU3)	2005 - 2010	01
901	12755120	04.302		BUSHING, SHFT CONT LVR BRKT (PART OF 16) (4.384) (Service Lane Part)	A (MU3)	2005 - 2010	05

C - Chevrolet >2007 >A - 1A1 - Cobalt >04 - 5-SPEED MANUAL TRANSMISSION >(MA04-040) 2005-2010 AP 5-SPEED MANUAL TRANSMAXLE (MU3) PART 3 INPUT SHAFT AND COMPONENTS >

MA04-040 08/29/2008



Make: Chevrolet

Year: 2007

Model: Cobalt

## C - Chevrolet &gt;2007 &gt;A - 1A1 - Cobalt &gt;04 - 5-SPEED MANUAL TRANSMISSION &gt;(MA04-040) 2005-2010 AP 5-SPEED MANUAL TRANSAXLE (MU3) PART 3 INPUT SHAFT AND COMPONENTS &gt;

Call	Part #	Group	H	Description	Usage	Year	Qty
1	12791536	04.351		SHAFT, INPUT (4.403) (Service Lane Part)	A (MU3)	2005 - 2010	01
2	90490861	04.352		BEARING, INPUT SHF (FRONT) (Service Lane Part)	A (MU3)	2005 - 2010	01
3	90490856	04.355		BEARING, 3RD GR (Service Lane Part)	A (MU3)	2005 - 2010	01
4	55352407	04.415		GEAR KIT, 3RD (DRIVE) (Service Lane Part)	A (MU3)	2005 - 2010	01
5	90541192	04.437		WASHER, REV IDLER GR SHF (Service Lane Part)	A (MU3)	2005 - 2010	01
6	90490974	04.383		RING, 3RD GR BLOCKING (4.380) (Service Lane Part)	A (MU3)	2005 - 2010	02
7	90490955	04.384		HUB, 3RD & 4TH GR SYN (Service Lane Part)	A (MU3)	2005 - 2010	01
8	55354967	04.384		SPRING, 3RD & 4TH GR SYN INS (Service Lane Part)	A (MU3)	2005 - 2010	03
9	92151830	04.435		BOLT, REV IDLER GR SHF (4.105) (Service Lane Part)	A (MU3)	2005 - 2010	01
10	90541193	04.412		RETAINER, MAIN SHF RR BRG (4.435) (Service Lane Part)	A (MU3)	2005 - 2010	01
11	12755210	04.384		SLEEVE, 3RD & 4TH GR SYN (Service Lane Part)	A (MU3)	2005 - 2010	01
12	90490857	04.355		BEARING, 4TH GR (Service Lane Part)	A (MU3)	2005 - 2010	01
13	55352404	04.415		GEAR KIT, 4TH (Service Lane Part)	A (MU3)	2005 - 2010	01
15	90490855	04.431		BEARING, REV IDLER GR THR (Service Lane Part)	A (MU3)	2005 - 2010	01
16	90490868	04.352		BEARING, INPUT SHF (REAR) (Service Lane Part)	A (MU3)	2005 - 2009	01



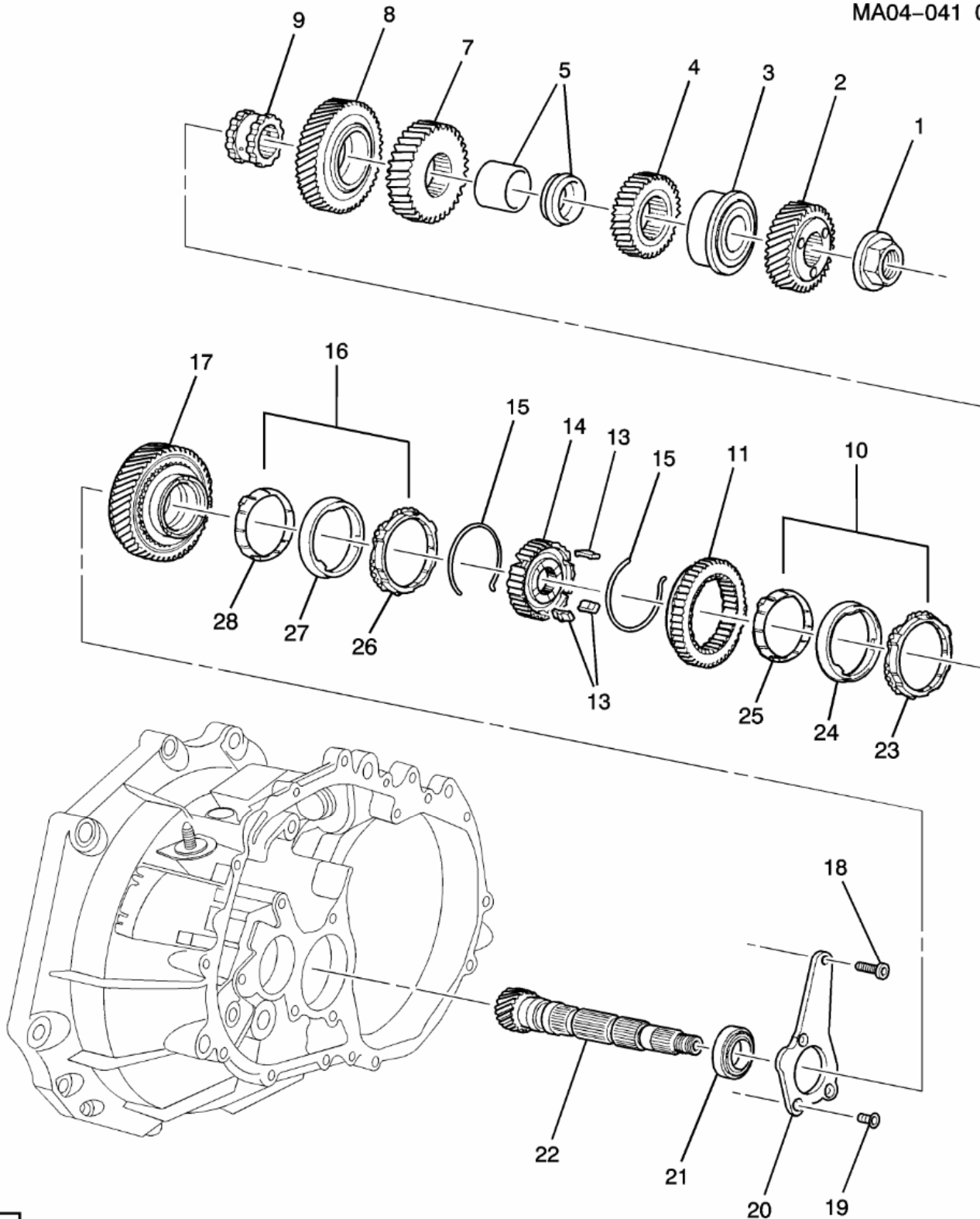
							y
17	90511077	04.353		RING, INPUT SHF RET (4.412) (Service Lane Part)	A (MU3)	2005 - 2010	01
18	90490980	04.430		GEAR, REV IDLER (GEAR ONLY) (Service Lane Part)	A (MU3)	2005 - 2010	01
19		04.415		GEAR KIT, 5TH (POA TRANSMISSION GROUP 04.003)		2005 - 2010	
20	90490977	04.383		RING, 5TH GR BLOCKING (4.380) (Service Lane Part)	A (MU3)	2005 - 2010	01
21	90511081	04.384		SPRING, 5TH GR SYN (Service Lane Part)	A (MU3)	2005 - 2010	01
22	90511083	04.355		BEARING, 5TH GR (Service Lane Part)	A (MU3)	2005 - 2010	01
23	55566306	04.384		HUB, 5TH GR SYN (MUST USE T/W 55566795 SLEEVE) (Service Lane Part)	A (MU3)	2007 - 2010	01
24	55566795	04.384		SLEEVE, 5TH GR SYN (Service Lane Part)	A (MU3)	2007 - 2010	01
25	90511085	04.384		RING, 5TH GR SYN RET (Service Lane Part)	A (MU3)	2005 - 2010	01
26	90511104	04.353		RETAINER, INPUT SHF BRG (Service Lane Part)	A (MU3)	2005 - 2009	01
27	90511105	04.422		BOLT, INPUT SHF BRG RET (Service Lane Part)	A (MU3)	2005 - 2010	04
28	90511106	04.356		SHIM, INPUT SHF BRG RET (0.10MM THICK) (4.376) (Service Lane Part)	A (MU3)	2005 - 2010	AR
28	90511107	04.356		SHIM, INPUT SHF BRG RET (0.15MM THICK) (4.376) (Service Lane Part)	A (MU3)	2005 - 2009	AR
28	90511108	04.356		SHIM, INPUT SHF BRG RET (0.30MM THICK) (4.376) (Service Lane Part)	A (MU3)	2005 - 2009	AR
28	90511273	04.356		SHIM, INPUT SHF BRG RET (0.50MM THICK) (4.376) (Service Lane Part)	A (MU3)	2005 - 2009	AR

							y
28	90511274	04.356		SHIM, INPUT SHF BRG RET (1.0MM THICK) (4.376) (Service Lane Part)	A (MU3)	2005 - 2009	AR
29	90511109	04.384		RING, 3RD & 4TH GR SYN RET (Service Lane Part)	A (MU3)	2005 - 2010	01
30	90543241	04.415		WASHER, 3RD & 4TH GR THR (4.348) (Service Lane Part)	A (MU3)	2005 - 2010	01
31	90541189	04.433		SHAFT, REV IDLER GR (Service Lane Part)	A (MU3)	2005 - 2010	01
32	90511112	04.430		GEAR, REV IDLER (INCLS BUSHING) (Service Lane Part)	A (MU3)	2005 - 2010	01
33	90511118	04.437		WASHER, REV IDLER GR THR (4.419) (Service Lane Part)	A (MU3)	2005 - 2010	01
34	90511113	04.435		BRACKET, REV IDLER GR SHF (Service Lane Part)	A (MU3)	2005 - 2010	01
35	55354192	04.435		BOLT, REV IDLER GR SHF BRKT (4.010) (Service Lane Part)	A (MU3)	2005 - 2010	01
36	90511116	04.413		SPRING, REV GR SYN (BLOCKING) (MUST BE USED T/W 90490971) (Service Lane Part)	A (MU3)	2005 - 2010	01
37	90490968	04.384		SLEEVE, 1ST & REV GR SYN (Service Lane Part)	A (MU3)	2005 - 2010	01
38	90490971	04.383		RING, REV GR BLOCKING (MUST BE USED T/W 90511116) (4.380) (Service Lane Part)	A (MU3)	2005 - 2010	01
39	12791541	04.413		SPRING, REV GR SYN (IDLER) (4.384) (Service Lane Part)	A (MU3)	2005 - 2010	03
900	90511266	04.384		PIN, 3RD & 4TH GR SYN INS (4.311) (Service Lane Part)	A (MU3)	2005 - 2010	03
901	90511265	04.384		INSERT, 3RD & 4TH GR SYN (4.352) (Service Lane Part)	A (MU3)	2005 - 2010	03
902	90490860	04.384		SPRING, 3RD & 4TH GR SYN DTNT (Service Lane Part)	A (MU3)	2005 - 2010	06

							y
903	30549335	04.430		BUSHING, REV IDLER GR (4.419) (Service Lane Part)	A (MU3)	2005 - 2010	02
904	12791537	04.384		SPRING, 5TH GR SYN DTNT (Service Lane Part)	A (MU3)	2005 - 2010	03

C - Chevrolet >2007 >A - 1A1 - Cobalt >04 - 5-SPEED MANUAL TRANSMISSION >(MA04-041) 2005-2010 AP 5-SPEED MANUAL TRANSMISSION (MU3) PART 4 OUTPUT SHAFT AND COMPONENTS >

MA04-041 02/22/2008



Make: Chevrolet

Year: 2007

Model: Cobalt

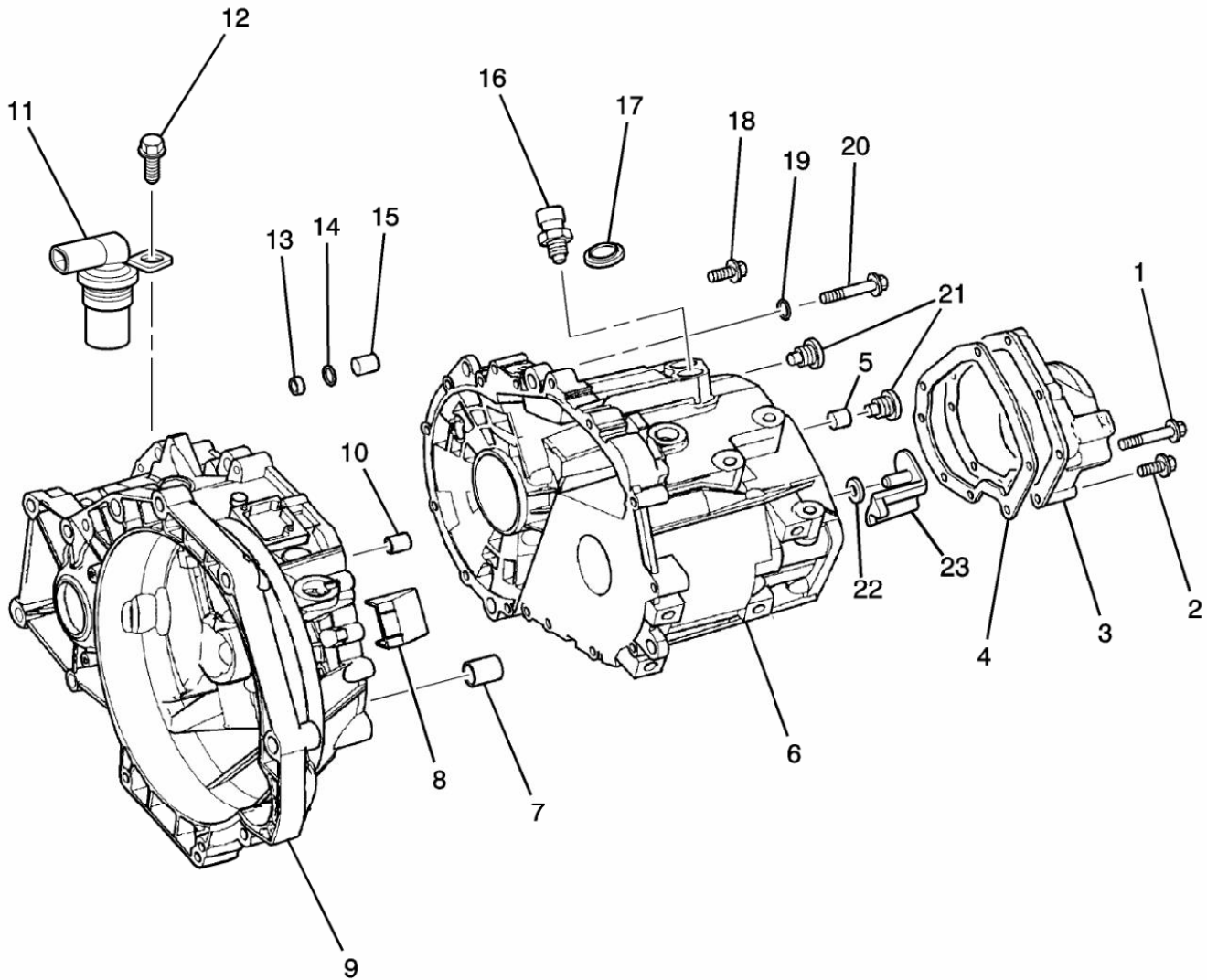
## C - Chevrolet &gt;2007 &gt;A - 1A1 - Cobalt &gt;04 - 5-SPEED MANUAL TRANSMISSION &gt;(MA04-041) 2005-2010 AP 5-SPEED MANUAL TRANSAXLE (MU3) PART 4 OUTPUT SHAFT AND COMPONENTS &gt;

Call	Part #	Group	H	Description	Usage	Year	Qty
1	12755195	04.422		NUT, 5TH GR (4.176) (Service Lane Part)	A (MU3)	2005 - 2010	01
2	90541200	04.415		GEAR, 5TH (Service Lane Part)	A (LSJ,MU3)	2007 - 2007	01
2	90541200	04.415		GEAR, 5TH (Service Lane Part)	A (LSJ,MU3) (EXC G85)	2006 - 2007	01
3	90490871	04.408		BEARING, MAIN SHF RR (Service Lane Part)	A (MU3)	2005 - 2010	01
User Note: Timken NP 806712 race NP 326808 bearing							
4	90511221	04.415		GEAR, 4TH (Service Lane Part)	A (MU3)	2005 - 2010	01
5	55352125	04.416		SPACER, 3RD & 4TH GR (4.384) (Service Lane Part)	A (MU3)	2005 - 2010	01
7	90511218	04.415		GEAR, 3RD (DRIVEN) (Service Lane Part)	A (MU3)	2005 - 2010	01
8	30546137	04.395		GEAR, 2ND (INCLS RING) (Service Lane Part)	A (MU3)	2005 - 2010	01
9	90512198	04.416		SPACER, MAIN SHF BRG (4.397) (Service Lane Part)	A (MU3)	2005 - 2010	01
10	90511189	04.380		SYNCHRONIZER, 1ST & 2ND GR (INCLS 23- 25) (Service Lane Part)	A (MU3)	2005 - 2010	01
11	55353594	04.384		SLEEVE, 1ST & 2ND GR SYN (Service Lane Part)	A (MU3)	2005 - 2010	01
13	90335876	04.384		INSERT, 1ST & 2ND GR SYN (Service Lane Part)	A (MU3)	2005 - 2010	03
14	90490773	04.384		HUB, 1ST & 2ND GR SYN (Service Lane Part)	A (MU3)	2005 - 2010	01
15	90344649	04.384		SPRING, 1ST GR SYN (0.386) (Service Lane Part)	A (MU3)	2005 - 2010	02
16	90511189	04.380		SYNCHRONIZER, 1ST & 2ND GR (INCLS 26- 28) (PART OF 17) (Service Lane Part)	A (MU3)	2005 - 2010	01

							y
17	55557717	04.417		GEAR KIT, 1ST (INCLS 16,26-28) (Service Lane Part)	A (MU3)	2005 - 2010	01
18	92151830	04.435		BOLT, REV IDLER GR SHF (4.105) (Service Lane Part)	A (MU3)	2005 - 2010	01
19	55561651	04.412		BOLT, MAIN SHF BRG RET (Service Lane Part)	A (MU3)	2005 - 2010	03
20	30564109	04.412		RETAINER, MAIN SHF BRG (4.176) (Service Lane Part)	A (MU3)	2005 - 2010	01
21	90490864	04.408		BEARING, MAIN SHF FRT (Service Lane Part)	A (MU3)	2005 - 2010	01
User Note: Timken NP 419902 race NP014119 bearing							
22	55354668	04.403		SHAFT, MAIN (Service Lane Part)	A (MU3)	2005 - 2007	01
23		NS		CONE, 1ST GR SYN (PART OF 10)		2005 - 2010	
24	30555111	DISCON		CONE, 1ST GR SYN OTR (PART OF 10)	A (MU3)	2005 - 2010	02
25	30555110	DISCON		CONE, 1ST GR SYN INR (PART OF 10)	A (MU3)	2005 - 2010	01
26		NS		CONE, 1ST GR SYN (PART OF 16,17)		2005 - 2010	
27	30555111	DISCON		CONE, 1ST GR SYN OTR (PART OF 16,17)	A (MU3)	2005 - 2010	02
28	30555110	DISCON		CONE, 1ST GR SYN INR (PART OF 16,17)	A (MU3)	2005 - 2010	01

C - Chevrolet >2007 >A - 1A1 - Cobalt >04 - 5-SPEED MANUAL TRANSMISSION >(MA04-042) 2005-2010 AP 5-SPEED MANUAL  
TRANSAXLE (MU3) PART 5 CASE, COVER AND COMPONENTS >

MA04-042 03/10/2008



Make: Chevrolet

Year: 2007

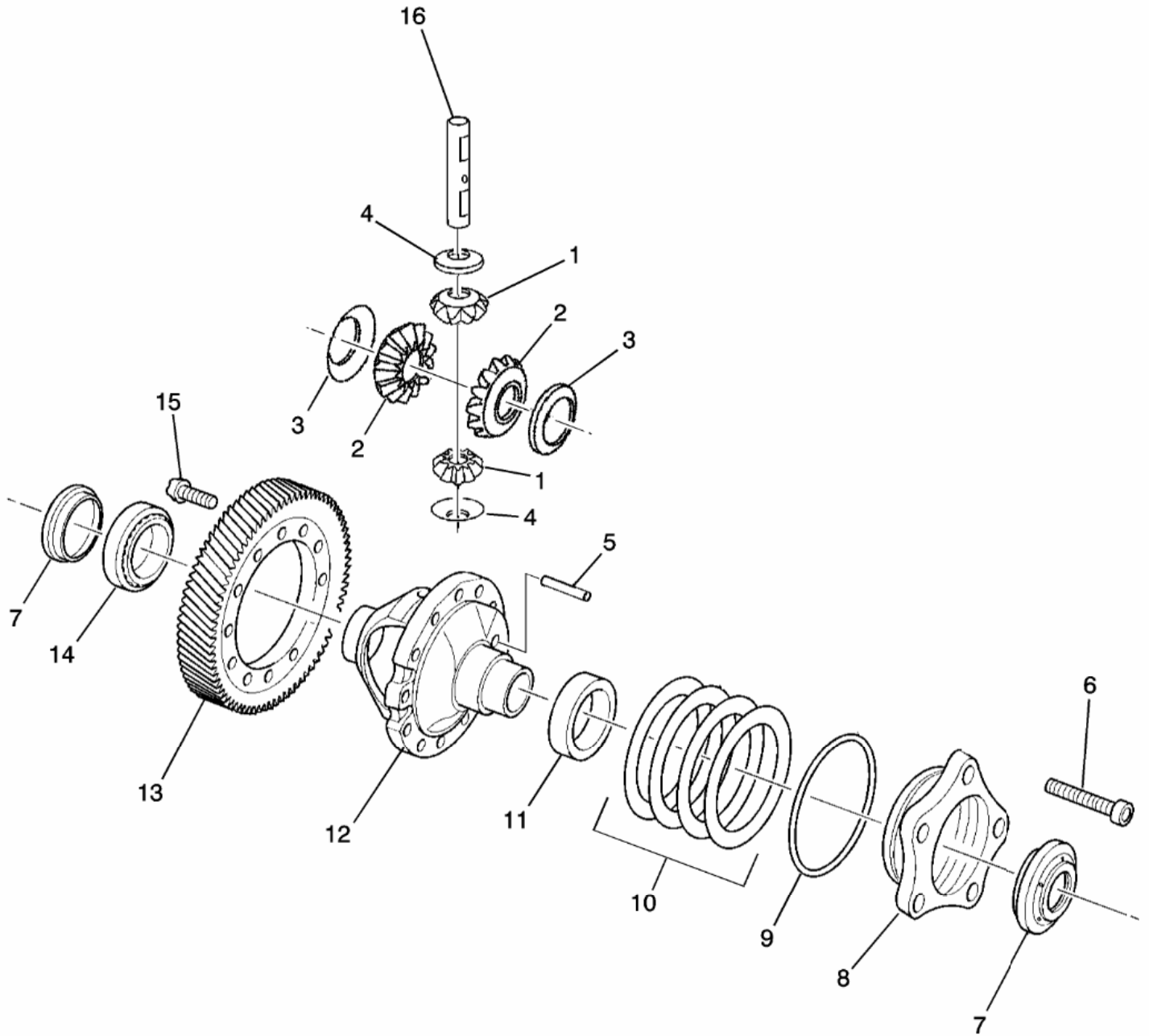
Model: Cobalt

## C - Chevrolet &gt;2007 &gt;A - 1A1 - Cobalt &gt;04 - 5-SPEED MANUAL TRANSMISSION &gt;(MA04-042) 2005-2010 AP 5-SPEED MANUAL TRANSAXLE (MU3) PART 5 CASE, COVER AND COMPONENTS &gt;

Call	Part #	Group	H	Description	Usage	Year	Qty
1	55561609	04.010		BOLT, SHFT CONT LVR BRKT (Service Lane Part)	A (MU3)	2006 - 2010	02
2	92152408	04.104		BOLT, TRANS CASE (Service Lane Part)	A (MU3)	2005 - 2010	03
3	90490782	04.105		COVER, TRANS (INCLS 22,23) (Service Lane Part)	A (MU3)	2005 - 2010	01
4	90486235	04.318		GASKET, TRANS CVR (Service Lane Part)	A (MU3)	2005 - 2010	01
5	03449250	04.105		MAGNET, TRANS (10 X 10 MM) (*KIT1) (Service Lane Part)	A (MU3)	2005 - 2010	01
6	12791514	04.103		CASE, TRANS (INCLS 14,17,19)	A (MU3)	2005 - 2010	01
7	12755120	04.319		BUSHING, TRANS EXTN (4.384) (Service Lane Part)	A (MU3)	2005 - 2010	04
8	21018743	00.679		COVER, CLU HSG (4.105) (Service Lane Part)	A (MU3)	2005 - 2010	01
9	55354667	00.683		HOUSING, CLU (Service Lane Part)	A (LSJ,MU3)	2005 - 2007	01
10	90512565	04.104		FILTER, TRANS VENT (Service Lane Part)	A (MU3)	2005 - 2010	01
11	55556839	04.329		SENSOR, VEH SPD (USE T/W MATING CONN 88987993) (ACDelco #213-3674) (Service Lane Part)	A (LSJ,MU3)	2005 - 2007	01
11	55556839	04.710		SENSOR, VEH SPD (USE T/W MATING CONN 88987993) (4.329) (ACDelco #213- 3674) (Service Lane Part)	A (LSJ,MU3)	2005 - 2007	01
11	55556839	03.682		SENSOR, VEH SPD (USE T/W MATING CONN 88987993) (4.329) (ACDelco #213- 3674) (Service Lane Part)	A (LSJ,MU3)	2005 - 2007	01



							y
12	12755031	04.329		BOLT, VEH SPD SEN (4.302) (Service Lane Part)	A (LSJ,MU3)	2005 - 2007	01
12	12755031	03.682		BOLT, VEH SPD SEN (4.302) (Service Lane Part)	A (LSJ,MU3)	2005 - 2007	01
13	11900425	00.683		NUT, CLU HSG (M8 X 1,25) (11.610)	A (MU3)	2005 - 2010	01
14		NS		WASHER, CLU HSG (PART OF 6)		2005 - 2010	
15	12755009	04.104		PIN, CLU HSG LOC (0.685) (Service Lane Part)	A (MU3)	2005 - 2010	02
15	12755009	00.685		PIN, CLU HSG LOC (Service Lane Part)	A (MU3)	2005 - 2010	02
16	24459626	02.698		SWITCH, B/U LP (ACDelco #D1587H) (Service Lane Part)	A (MU3)	2005 - 2010	01
17	90490852	04.302		BEARING, SHFT CONT LVR (PART OF 6) (4.510) (Service Lane Part)	A (MU3)	2005 - 2010	02
18	92152408	04.104		BOLT, TRANS CASE (Service Lane Part)	A (MU3)	2005 - 2010	03
19		NS		WASHER, CLU HSG (PART OF 6)		2005 - 2010	
20	55561609	04.010		BOLT, SHFT CONT LVR BRKT (Service Lane Part)	A (MU3)	2006 - 2010	02
21	55561146	04.104		PLUG, TRANS VENT HOLE (M18X1.5, 21 LENGTH) (*KIT1) (Service Lane Part)	A (MU3)	2005 - 2010	02
22	30549411	DISCON		WASHER, TRANS CVR (PART OF 3)	A (MU3)	2005 - 2010	01
23	30546087	04.105		TROUGH, M/TRNS OIL (PART OF 3) (4.195) (Service Lane Part)	A (MU3)	2005 - 2010	01
K01	55568847	04.104		PLUG, TRANS VENT HOLE (INCLS 5,21) (M18X1.5, 21 LENGTH) (PLUG & MAGNET) (Service Lane Part)	A (LSJ,MU3)	2005 - 2007	01



Make: Chevrolet

Year: 2007

Model: Cobalt

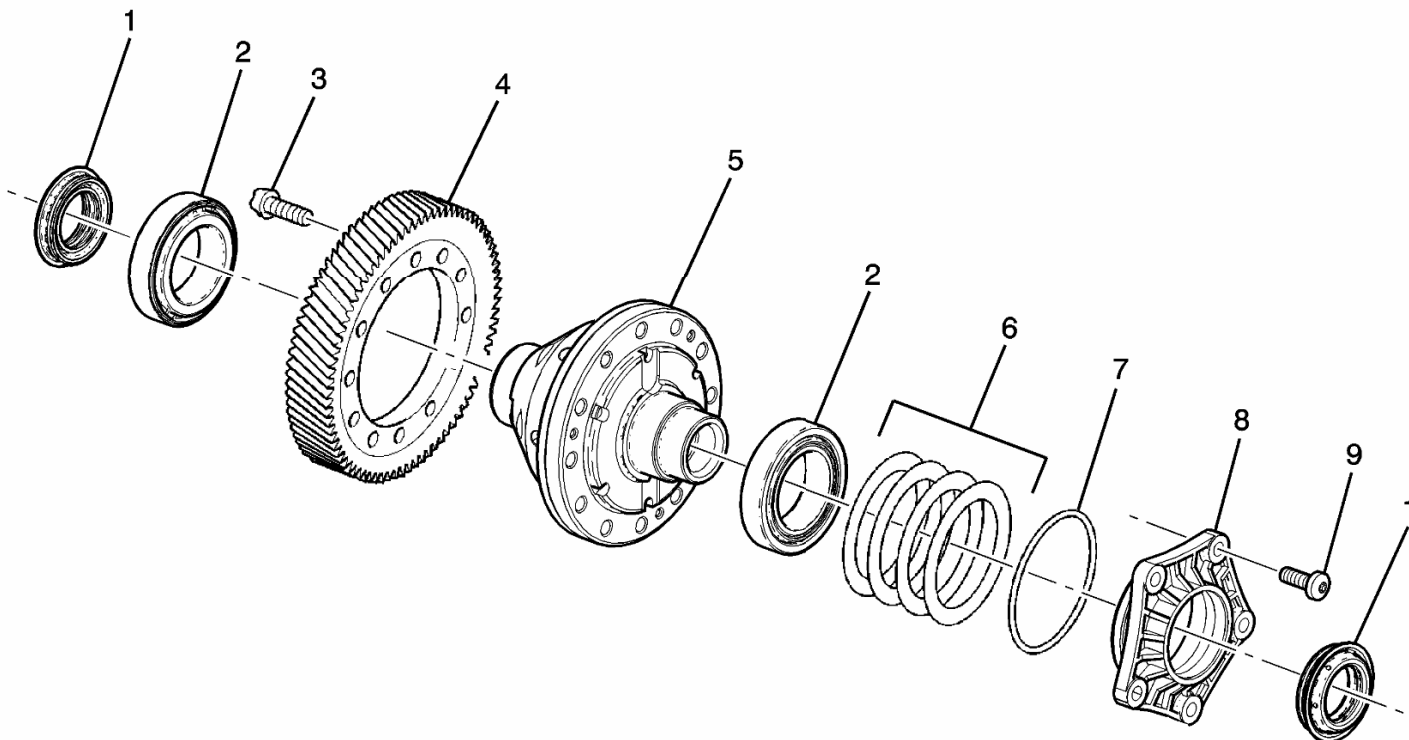
## C - Chevrolet &gt;2007 &gt;A - 1A1 - Cobalt &gt;04 - 5-SPEED MANUAL TRANSMISSION &gt;(MA04-043) 2005-2010 AP 5-SPEED MANUAL TRANSAXLE (MU3) PART 6 DIFFERENTIAL (EXC LIMITED SLIP G85) &gt;

Call	Part #	Group	H	Description	Usage	Year	Qty
1	55556899	05.526		GEAR, FRT DIFF PINION (PART OF 12) (Service Lane Part)	A (MU3) (EXC G85)	2005 - 2010	02
2		NS		GEAR, FRT DIFF SI (PART OF 12)		2005 - 2010	
3		NS		WASHER, FRT DIFF SI GR THR (PART OF 12)		2005 - 2010	
4		NS		WASHER, FRT DIFF P/GR THR (PART OF 12)		2005 - 2010	
5	30563333	05.518		PIN, FRT DIFF P/GR SHF LK (PART OF 12) (Service Lane Part)	A (MU3) (EXC G85)	2005 - 2010	01
6	92151830	04.105		BOLT, TRANS CVR (Service Lane Part)	A (MU3)	2005 - 2010	05
7	55353153	06.061		SEAL, FRT WHL DRV SHF OIL (Service Lane Part)	A (MU3)	2005 - 2010	02
8	90543263	05.537		RETAINER, FRT DIFF BRG (6.056) (Service Lane Part)	A (MU3)	2005 - 2010	01
9	90486232	05.537		SEAL, FRT DIFF BRG RET (O RING) (Service Lane Part)	A (MU3)	2005 - 2010	01
10	90511232	05.537		SHIM, FRT DIFF BRG (0.1MM) (Service Lane Part)	A (MU3)	2005 - 2010	01
10	90511233	05.537		SHIM, FRT DIFF BRG (0.15MM) (Service Lane Part)	A (MU3)	2005 - 2010	01
10	90511234	05.537		SHIM, FRT DIFF BRG (0.3MM) (Service Lane Part)	A (MU3)	2005 - 2010	01
10	90511235	05.537		SHIM, FRT DIFF BRG (0.5MM) (Service Lane Part)	A (MU3)	2005 - 2010	01
10	90541204	05.537		SHIM, FRT DIFF BRG (1.0MM) (Service Lane Part)	A (MU3)	2005 - 2010	01
11	12788353	05.536		BEARING, FRT DIFF (Service Lane Part)	A (MU3)	2005 - 2010	02
12	90490986	05.505		DIFFERENTIAL, FRT (INCLS 1-5,16) (5.510)	A (MU3) (EXC G85)	2005 - 2010	01

							y
13	55354670	05.529		GEAR, FRT DIFF RING (Service Lane Part)	A (MU3)	2005 - 2007	01
14	12788353	05.536		BEARING, FRT DIFF (Service Lane Part)	A (MU3)	2005 - 2010	02
15	90541316	05.531		BOLT, FRT DIFF R/GR (**VPI 1-877-846-8243)	A (MU3)	2005 - 2007	11
16		NS		SHAFT, FRT DIFF P/GR (PART OF 12)		2005 - 2010	

C - Chevrolet >2007 >A - 1A1 - Cobalt >04 - 5-SPEED MANUAL TRANSMISSION >(MA04-045) 2005-2010 AP 5-SPEED MANUAL  
TRANSAXLE (MU3) PART 6 DIFFERENTIAL (LIMITED SLIP G85) >

MA04-045 05/27/2009



jk



Make: Chevrolet

Year: 2007

Model: Cobalt

C - Chevrolet >2007 >A - 1A1 - Cobalt >04 - 5-SPEED MANUAL TRANSMISSION >(MA04-045) 2005-2010 AP 5-SPEED MANUAL  
TRANSAXLE (MU3) PART 6 DIFFERENTIAL (LIMITED SLIP G85) >

Call	Part #	Group	H	Description	Usage	Year	Qty
1	55353153	06.061		SEAL, FRT WHL DRV SHF OIL (Service Lane Part)	A (MU3)	2005 - 2010	02
2	12788353	05.536		BEARING, FRT DIFF (Service Lane Part)	A (MU3)	2005 - 2010	02
3	90541316	05.531		BOLT, FRT DIFF R/GR (**VPI 1-877-846-8243)	A (MU3)	2005 - 2007	11
4	55354670	05.529		GEAR, FRT DIFF RING (Service Lane Part)	A (MU3)	2005 - 2007	01
5	55561116	05.505		DIFFERENTIAL, FRT	A (MU3,G85)	2005 - 2010	01
6	90511232	05.537		SHIM, FRT DIFF BRG (0.1MM) (Service Lane Part)	A (MU3)	2005 - 2010	01
6	90511233	05.537		SHIM, FRT DIFF BRG (0.15MM) (Service Lane Part)	A (MU3)	2005 - 2010	01
6	90511234	05.537		SHIM, FRT DIFF BRG (0.3MM) (Service Lane Part)	A (MU3)	2005 - 2010	01
6	90511235	05.537		SHIM, FRT DIFF BRG (0.5MM) (Service Lane Part)	A (MU3)	2005 - 2010	01
6	90541204	05.537		SHIM, FRT DIFF BRG (1.0MM) (Service Lane Part)	A (MU3)	2005 - 2010	01
7	90486232	05.537		SEAL, FRT DIFF BRG RET (O RING) (Service Lane Part)	A (MU3)	2005 - 2010	01
8	90543263	05.537		RETAINER, FRT DIFF BRG (6.056) (Service Lane Part)	A (MU3)	2005 - 2010	01
9	92151830	04.105		BOLT, TRANS CVR (Service Lane Part)	A (MU3)	2005 - 2010	05