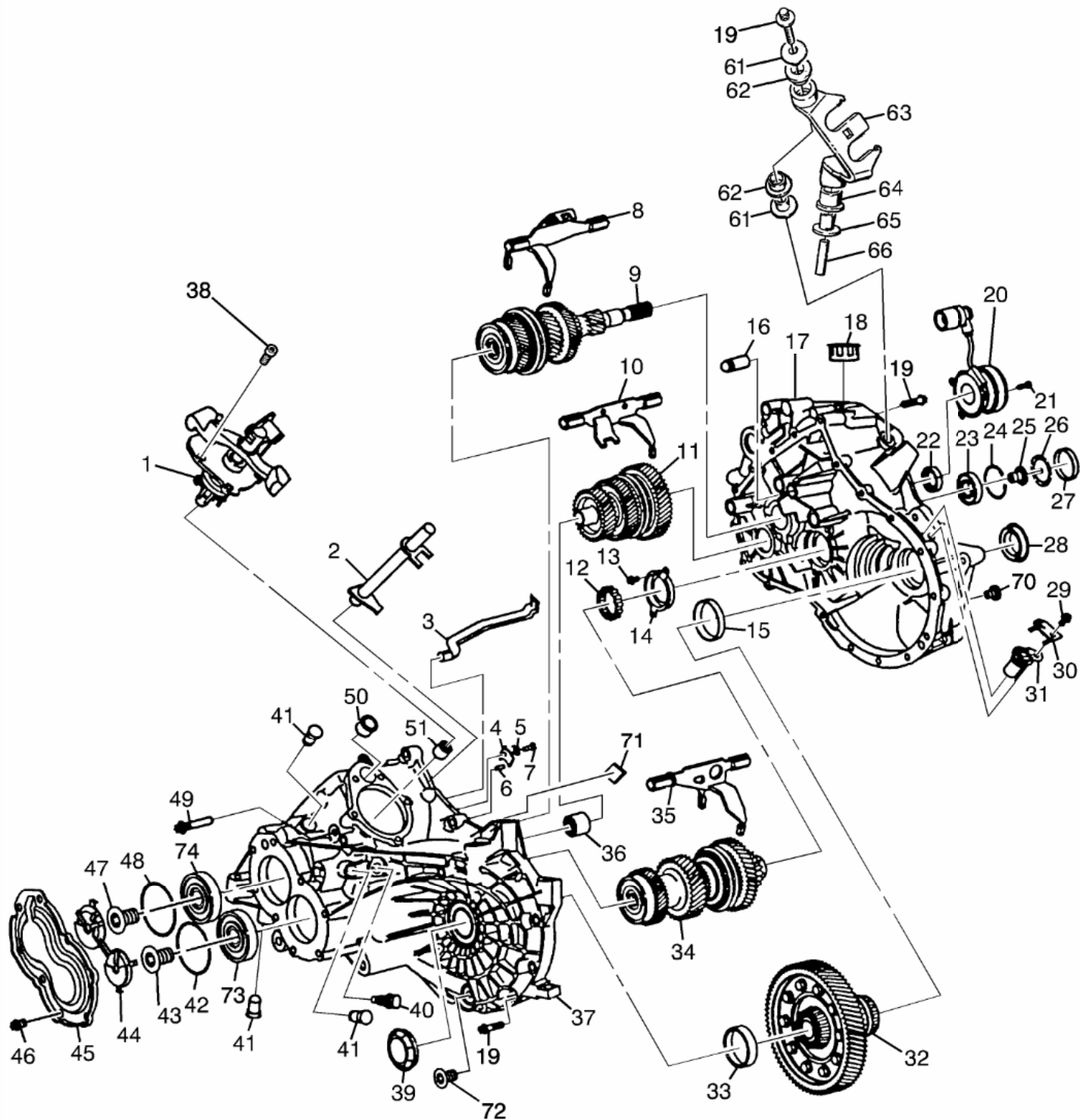


M86 5sp Manual Transmission
Components List
Based off 2010 Cobalt



C - Chevrolet >2010 >A - 1A1 - Cobalt >04 - 5-SPEED MANUAL TRANSMISSION >(GM04-032) 2005-2010 A 5-SPEED MANUAL TRANSMAXLE (M86) PART 1 CASE AND COMPONENT PARTS >

GM04-032 10/01/2009



gb



Make: Chevrolet

Year: 2010

Model: Cobalt

C - Chevrolet >2010 >A - 1A1 - Cobalt >04 - 5-SPEED MANUAL TRANSMISSION >(GM04-032) 2005-2010 A 5-SPEED MANUAL TRANSAXLE (M86) PART 1 CASE AND COMPONENT PARTS >

Call	Part #	Group	H	Description	Usage	Year	Qty
1	19178017	04.010		HOUSING, SHFT CONT (Service Lane Part)	A (M86)	2007 - 2010	01
2	19178018	04.302		SHAFT, SHFT CONT (STAMPED M0D05 ON UPR SHFT CONT SHF LVR) (Service Lane Part)	A (M86)	2007 - 2010	01
3	93368599	04.105		TROUGH, M/TRNS OIL (0.685) (Service Lane Part)	A (M86)	2005 - 2010	01
4	93334401	04.311		CAM, REV INHIBITOR (Service Lane Part)	A (M86)	2005 - 2010	01
5	93334402	04.311		SPRING, REV INHIBITOR (Service Lane Part)	A (M86)	2005 - 2010	01
6	93334155	04.104		PIN, TRANS CASE LOC (ROLL, 1/4"DIA X 5/8"LG) (Service Lane Part)	A (M86)	2005 - 2010	01
7	19181922	04.311		PIN, REV INHIBITOR (Service Lane Part)	A (LAP,M86,FY1)	2009 - 2010	01
7	93334403	04.311		PIN, REV INHIBITOR (Service Lane Part)	A (LAP,M86,FR6)	2009 - 2010	01
8	93368559	04.303		FORK, 3RD & 4TH SHFT (Service Lane Part)	A (M86)	2005 - 2010	01
9	12571818	04.351		SHAFT, INPUT (Service Lane Part)	A (M86)	2005 - 2010	01
10	93368558	04.303		FORK, 1ST & 2ND SHFT (Service Lane Part)	A (M86)	2005 - 2010	01
11	93321353	04.403		SHAFT, INTER (4.408) (Service Lane Part)	A (M86)	2005 - 2010	01
12	93334160	04.408		BEARING, MAIN SHF (INCLS 14) (DRAWN CUP ROLLER BEARING) (ACDelco #93334160) (Service Lane Part)	A (M86)	2005 - 2010	01
13	89048129	04.412		BOLT, MAIN SHF BRG RET (Service Lane Part)	A (M86)	2005 - 2010	02
14		NS		RETAINER, MAIN SHF BRG (PART OF 12)		2005 - 2010	

							y
15	93334162	05.536		BEARING, FRT DIFF (ACDelco #S1312) (Service Lane Part)	A (M86)	2005 - 2010	02
16	88893914	04.311		DETENT, SHFT SHF (ACDelco #88893914) (Service Lane Part)	A (M86)	2005 - 2010	01
17	89059304	00.683		HOUSING, CLU & DIFF (Service Lane Part)	A (M86)	2005 - 2010	01
18	22625354	04.105		PLUG, TRANS LUB FIL (Service Lane Part)	A (M86)	2005 - 2010	01
19	93368598	04.104		BOLT, TRANS CASE (M8X40) (Service Lane Part)	A (M86)	2005 - 2010	20
20	12582666	00.780		CYLINDER, CLU ACTR (INCLS BRG) (INCL RET TO ATTACH HOSE TO SLAVE CLYLINDER) (Service Lane Part)	A (M86)	2007 - 2010	01
21	93368576	00.780		BOLT, CLU ACTR CYL (Service Lane Part)	A (M86)	2005 - 2010	03
22	93334159	04.352		BEARING, INPUT SHF (TO CLUTCH HOUSING) (ACDelco #93334159) (Service Lane Part)	A (M86)	2005 - 2010	01
23	93368564	04.422		BEARING, CNTR GR (TO INTERMEDIATE SHAFT) (BALL BRG) (ACDelco #93368564) (Service Lane Part)	A (M86)	2005 - 2010	01
24	93368596	04.422		RING, CNTR GR BRG RET (Service Lane Part)	A (M86)	2005 - 2010	01
25	93368601	04.422		RETAINER, FRT CNTR GR RR BRG (4.412) (Service Lane Part)	A (M86)	2005 - 2010	01
26	09120609	04.349		FUNNEL, TRANS LUB (TO INTERIM SHAFT) (4.422) (ACDelco #09120609) (Service Lane Part)	A (M86)	2005 - 2010	01
27	09120610	04.422		CAP, CNTR GR BRG (4.349) (ACDelco #09120610) (Service Lane Part)	A (M86)	2005 - 2010	01
28	97029260	06.061		SEAL, FRT WHL DRV SHF OIL (Service Lane	A (M86)	2005 - 2010	02

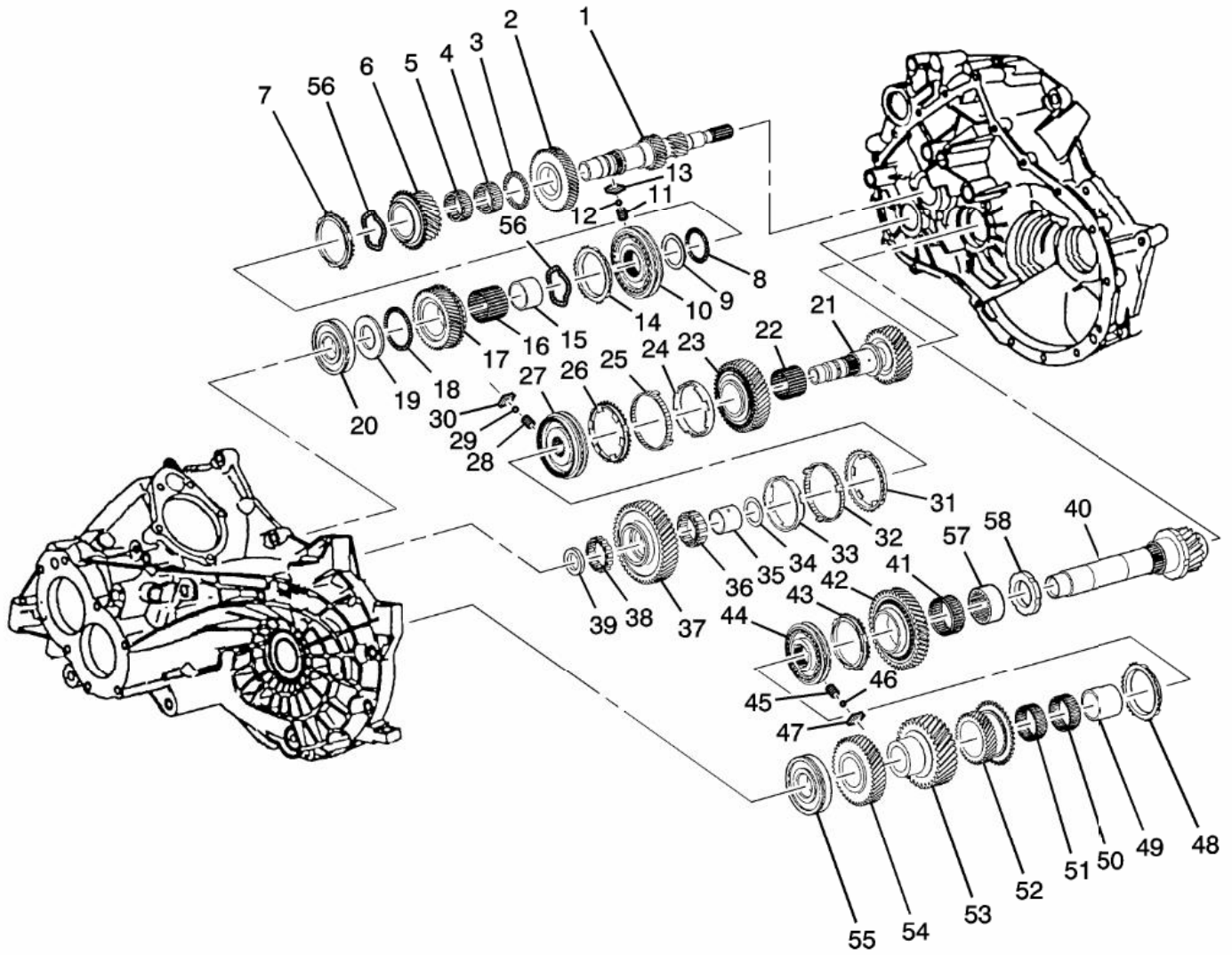
							y
29	89048129	04.329		BOLT, VEH SPD SEN (4.412) (Service Lane Part)	A (LAP)	2009 - 2010	02
30		NS		BRACKET, SPEED SENSOR RETAINING (PART OF 31)		2005 - 2010	
31	88893292	04.329		SENSOR, VEH SPD (INCLS 30) (3.682) (ACDelco #88893292) (Service Lane Part)	A (LAP,FR6,FY1,M86)	2009 - 2010	01
31	88893292	03.682		SENSOR, VEH SPD (INCLS 30) (ACDelco #88893292) (Service Lane Part)	A (LAP,FR6,FY1,M86)	2009 - 2010	01
31	88893292	04.710		SENSOR, VEH SPD (INCLS 30) (3.682) (ACDelco #88893292) (Service Lane Part)	A (LAP,M86)	2009 - 2010	01
32	88893964	05.505		DIFFERENTIAL, FRT (Service Lane Part)	A (M86)	2005 - 2010	01
33	93334162	05.536		BEARING, FRT DIFF (ACDelco #S1312) (Service Lane Part)	A (M86)	2005 - 2010	02
34		04.403		SHAFT, RR MAIN (SEE GROUP 04.000 "MANUAL TRANSAXLE/INTERNA L PARTS" FOR DETAILED ILLUSTRATED VIEW) (Service Lane Part)		2005 - 2010	
35	93368560	04.303		FORK, 5TH SHFT (Service Lane Part)	A (M86)	2005 - 2010	01
36	93334158	04.422		BEARING, CNTR GR FRT (Service Lane Part)	A (M86)	2005 - 2010	01
37	89059305	04.103		CASE, TRANS	A (LAP,M86)	2009 - 2010	01
38	89048130	04.303		BOLT, SHFT CONT HSG CVR (4.302) (Service Lane Part)	A (M86)	2005 - 2010	05
39	97029260	06.061		SEAL, FRT WHL DRV SHF OIL (Service Lane Part)	A (M86)	2005 - 2010	02
40	90482454	02.698		SWITCH, B/U LP (ACDelco #D2215D) (Service Lane Part)	A (M86)	2005 - 2010	01

							y
41	88893967	04.311		DETENT, SHFT SHF (TO SHIFT RAIL) (4.010) (Service Lane Part)	A (M86)	2005 - 2010	03
42		NS		RING, CNTR GR BRG RET (PART OF 73)		2005 - 2010	
43	88996617	04.176		RETAINER, OUTPUT SHF BRG (REQUIRES USE OF GM 12345493 THREADLOCK OR EQUIVELENT) (Service Lane Part)	A (M86)	2005 - 2010	01
44	09120613	04.349		FUNNEL, TRANS LUB (TO INPUT & OUTPUT SHAFT) (Service Lane Part)	A (M86)	2005 - 2010	01
45	89048133	04.105		COVER, TRANS RR (Service Lane Part)	A (M86)	2005 - 2010	01
46	09120614	04.105		BOLT, TRANS RR CVR (M8X20) (Service Lane Part)	A (M86)	2005 - 2010	08
47	88996617	04.353		RETAINER, INPUT SHF BRG (REQUIRES USE OF GM 12345493 THREADLOCK OR EQUIVELENT) (4.176) (Service Lane Part)	A (M86)	2005 - 2010	01
48		NS		RING, INPUT SHF BRG RET (PART OF 74)		2005 - 2010	
49	93368607	04.032		STOP, M/TRNS CONT LVR (4.104) (Service Lane Part)	A (M86)	2005 - 2010	01
50	93368604	04.302		BUSHING, 1ST & 2ND SHFT SHF (Service Lane Part)	A (M86)	2005 - 2010	01
51	93321324	04.422		BEARING, CNTR GR (TO SHIFT CTRL HOUSING) (ACDelco #93321324) (Service Lane Part)	A (M86)	2005 - 2010	01
61	93321328	04.047		WASHER, M/TRNS SHFT LVR CBL SUPT (Service Lane Part)	A (M86)	2005 - 2010	02
62	93321329	04.047		WASHER, M/TRNS SHFT LVR CBL (Service Lane Part)	A (M86)	2005 - 2010	02
63	12587347	04.047		BRACKET, M/TRNS SHFT LVR CBL	A (M86)	2005 - 2010	01

							y
64	93321330	04.010		BUSHING, M/TRNS CONT BRKT INSL (TRANS END UPPER) (Service Lane Part)	A (M86)	2005 - 2010	01
65	89048126	04.010		BUSHING, M/TRNS CONT BRKT INSL (TRANS END LOWER) (Service Lane Part)	A (M86)	2005 - 2010	01
66	93321335	04.012		PIN, M/TRNS SEL LVR BRKT (Service Lane Part)	A (M86)	2005 - 2010	01
70	09120610	04.422		CAP, CNTR GR BRG (4.349) (ACDelco #09120610) (Service Lane Part)	A (M86)	2005 - 2010	01
71	93368597	04.105		MAGNET, TRANS CHIP COLLECTOR (Service Lane Part)	A (M86)	2005 - 2010	01
72	93368573	04.104		PLUG, TRANS OIL DRN (Service Lane Part)	A (M86)	2005 - 2010	01
73	93368562	04.408		BEARING, MAIN SHF RR (TO TRANS CASE) (INCLS 42) (4.352) (ACDelco #93368562) (Service Lane Part)	A (M86)	2008 - 2010	01
74	88893920	04.352		BEARING, INPUT SHF (INCLS 48) (W/RING) (4.408) (ACDelco #88893920) (Service Lane Part)	A (M86)	2005 - 2010	01

C - Chevrolet >2010 >A - 1A1 - Cobalt >04 - 5-SPEED MANUAL TRANSMISSION >(GM04-037) 2005-2010 A 5-SPEED MANUAL
TRANSAXLE (M86) PART 2 INTERNAL PARTS >

GM04-037 06/13/2005



Make: Chevrolet

Year: 2010

Model: Cobalt

C - Chevrolet >2010 >A - 1A1 - Cobalt >04 - 5-SPEED MANUAL TRANSMISSION >(GM04-037) 2005-2010 A 5-SPEED MANUAL TRANSAXLE (M86) PART 2 INTERNAL PARTS >

Call	Part #	Group	H	Description	Usage	Year	Qty
1	12571818	04.351		SHAFT, INPUT (Service Lane Part)	A (M86)	2005 - 2010	01
2	88996511	04.415		GEAR, 5TH (ACDelco #88996511) (OUTPUT SHAFT) (Service Lane Part)	A (LAP,M86,FR6)	2009 - 2010	01
2	93322059	04.415		GEAR, 5TH (INPUT SHAFT) (ACDelco #93322059) (Service Lane Part)	A (M86)	2005 - 2010	01
3	93321260	04.416		BEARING, 5TH GR THR (ACDelco #93321260) (Service Lane Part)	A (M86)	2005 - 2010	01
4	88893940	04.355		BEARING, 3RD GR (ACDelco #88893940) (Service Lane Part)	A (M86)	2005 - 2010	02
5	88893940	04.355		BEARING, 3RD GR (ACDelco #88893940) (Service Lane Part)	A (M86)	2005 - 2010	02
6	93321261	04.415		GEAR, 3RD (INPUT SHAFT) (ACDelco #93321261) (Service Lane Part)	A (M86)	2005 - 2010	01
7	19178007	04.383		RING, 3RD GR BLOCKING (Service Lane Part)	A (M86)	2008 - 2010	01
8	93321260	04.355		BEARING, INPUT SHF THR (3RD) (4.416) (ACDelco #93321260) (Service Lane Part)	A (M86)	2005 - 2010	01
9	88958964	04.415		WASHER, 3RD GR THR (Service Lane Part)	A (M86)	2005 - 2010	01
10	89060051	04.384		HUB, 3RD & 4TH GR SYN (INCLS 11-13) (Service Lane Part)	A (M86)	2005 - 2010	01
11	93321271	04.384		SPRING, 3RD & 4TH GR SYN DTNT (PART OF 10) (Service Lane Part)	A (M86)	2005 - 2010	03

							y
12	93321272	04.384		BALL, 3RD & 4TH GR SYN DTNT (PART OF 10) (Service Lane Part)	A (M86)	2005 - 2010	03
13	93321273	04.384		INSERT, 3RD & 4TH GR SYN (PART OF 10) (4.416) (Service Lane Part)	A (M86)	2005 - 2010	04
14	19178007	04.383		RING, 4TH GR BLOCKING (Service Lane Part)	A (M86)	2008 - 2010	01
15		NS		COLLAR, BEARING (PART OF 16)		2005 - 2010	
16	93321266	04.355		BEARING, 4TH GR (INCLS 15) (NEEDLE) (4.415) (ACDelco #93321266) (Service Lane Part)	A (M86)	2005 - 2010	01
17	93321267	04.415		GEAR, 4TH (INPUT SHAFT) (Service Lane Part)	A (M86)	2005 - 2010	01
18	93321354	04.355		BEARING, 4TH GR (AXIAL THRUST) (ACDelco #93321354) (Service Lane Part)	A (M86)	2005 - 2010	01
19	93321268	04.415		WASHER, 4TH GR THR (Service Lane Part)	A (M86)	2005 - 2010	01
20	93334159	04.352		BEARING, INPUT SHF (TO CLUTCH HOUSING) (ACDelco #93334159) (Service Lane Part)	A (M86)	2005 - 2010	01
21	93321353	04.403		SHAFT, INTER (4.408) (Service Lane Part)	A (M86)	2005 - 2010	01
22	93321269	04.355		BEARING, 2ND GR (TO INTERMEDIATE SHAFT) (NEEDLE BRG) (4.422) (ACDelco #93321269) (Service Lane Part)	A (M86)	2005 - 2010	01
22	93368564	04.422		BEARING, CNTR GR (TO INTERMEDIATE SHAFT) (BALL BRG) (ACDelco #93368564) (Service Lane Part)	A (M86)	2005 - 2010	01
23	93321270	04.421		GEAR, 2ND CNTR (ACDelco #93321270) (Service Lane Part)	A (M86)	2005 - 2010	01

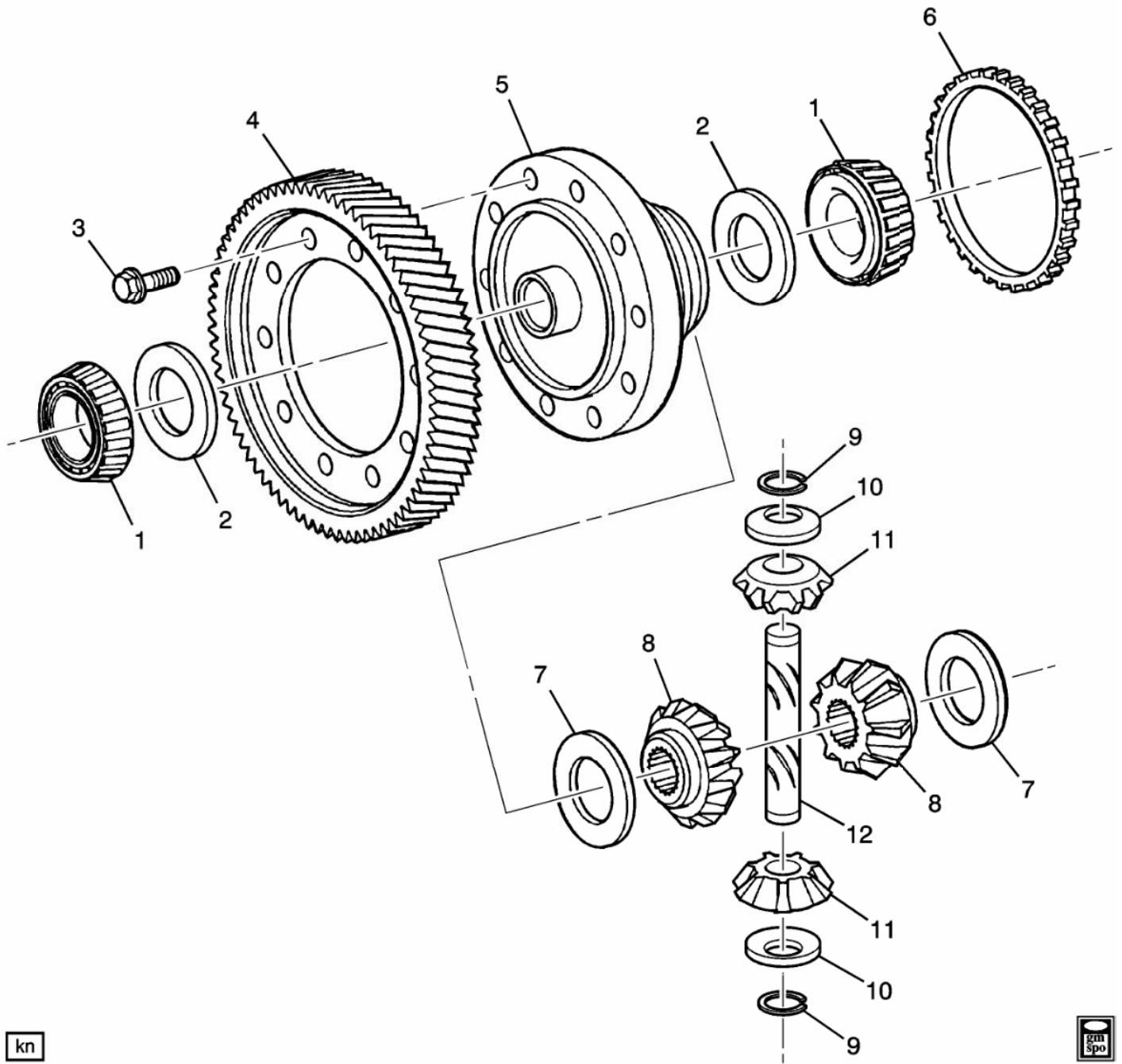
							y
24	19178012	04.383		CONE, 2ND GR SYN INR (USE T/W 19178013 & 19178015 ONLY) (Service Lane Part)	A (M86)	2005 - 2010	01
25	19178015	04.383		RING, 1ST & 2ND GR OTR BLOCKING (USE T/W 19178013 & 19178012 ONLY) (ACDelco #19178015) (Service Lane Part)	A (M86)	2008 - 2010	02
26	19178013	04.383		CONE, 2ND GR SYN OTR (USE T/W 19178012 & 19178015 ONLY) (ACDelco #19178013) (Service Lane Part)	A (M86)	2008 - 2010	01
27	89059283	04.384		HUB, 1ST & 2ND GR SYN (INCLS 28-30) (4.380) (Service Lane Part)	A (M86)	2005 - 2010	01
28	93321271	04.384		SPRING, 1ST & 2ND GR SYN (PART OF 27) (Service Lane Part)	A (M86)	2005 - 2010	03
29	93321272	04.384		BALL, 1ST & 2ND GR SYN DTNT (PART OF 27) (Service Lane Part)	A (M86)	2005 - 2010	03
30	93321273	04.384		INSERT, 1ST & 2ND GR SYN (PART OF 27) (4.416) (Service Lane Part)	A (M86)	2005 - 2010	03
31	19178013	04.383		CONE, 1ST GR SYN OTR (USE T/W 19178012 & 19178015 ONLY) (ACDelco #19178013) (Service Lane Part)	A (M86)	2008 - 2010	01
32	19178015	04.383		RING, 1ST & 2ND GR OTR BLOCKING (USE T/W 19178013 & 19178012 ONLY) (ACDelco #19178015) (Service Lane Part)	A (M86)	2008 - 2010	02
33	19178012	04.383		CONE, 1ST GR SYN INR (USE T/W 19178013 & 19178015 ONLY) (Service Lane Part)	A (M86)	2005 - 2010	01

							y
34	93321253	04.426		SHIM, CNTR GR RR BRG (Service Lane Part)	A (M86)	2005 - 2010	01
35	93321285	04.419		BUSHING, 1ST GR (Service Lane Part)	A (M86)	2005 - 2010	01
36	93321290	04.355		BEARING, 1ST GR (4.422) (Service Lane Part)	A (M86)	2005 - 2010	01
37	93321235	04.417		GEAR, 1ST (4.421) (Service Lane Part)	A (M86)	2005 - 2010	01
38	93321290	04.355		BEARING, 1ST GR (4.422) (Service Lane Part)	A (M86)	2005 - 2010	01
39	93321236	04.426		SPACER, CNTR GR BRG (Service Lane Part)	A (M86)	2005 - 2010	01
40	19178009	04.403		SHAFT, RR MAIN (Service Lane Part)	A (M86,FR6)	2008 - 2010	01
40	19207273	04.403		SHAFT, RR MAIN (Service Lane Part)	A (LAP,M86,FY1)	2009 - 2010	01
41	93321296	04.431		BEARING, REV GR (INCLS 57) (Service Lane Part)	A (M86)	2005 - 2010	01
42	12587342	04.417		GEAR, REV (Service Lane Part)	A (M86)	2005 - 2010	01
43	19178007	04.383		RING, REV GR BLOCKING (Service Lane Part)	A (M86)	2008 - 2010	01
44	88958960	04.384		HUB, 5TH & REV GR SYN (INCLS 45-47) (Service Lane Part)	A (M86)	2005 - 2010	01
45	93321271	04.384		SPRING, 5TH & REV GR SYN (PART OF 44) (Service Lane Part)	A (M86)	2005 - 2010	03
46	93321272	04.415		BALL, 5TH & REV GR SYN DTNT (PART OF 44) (4.384) (Service Lane Part)	A (M86)	2005 - 2010	03
47	93321273	04.384		INSERT, 5TH & REV GR SYN (PART OF 44) (4.416) (Service Lane Part)	A (M86)	2005 - 2010	03
48	19178011	04.383		RING, 5TH GR BLOCKING (ACDelco #19178011) (Service Lane Part)	A (M86)	2008 - 2010	01
49		NS		HUB, 5TH & REV GR SYN (PART OF 50)		2005 - 2010	

							y
50	93321299	04.355		BEARING, 5TH GR (INCLS 49,51) (ACDelco #93321299) (Service Lane Part)	A (M86)	2005 - 2010	01
51		NS		BEARING, 5TH GR (PART OF 50)		2005 - 2010	
52	88996511	04.415		GEAR, 5TH (ACDelco #88996511) (OUTPUT SHAFT) (Service Lane Part)	A (LAP,M86)	2009 - 2010	01
53	93321300	04.415		GEAR, 3RD (OUTPUT SHAFT) (Service Lane Part)	A (M86)	2005 - 2010	01
54	93321301	04.415		GEAR, 4TH (OUTPUT SHAFT) (ACDelco #93321301) (Service Lane Part)	A (M86)	2005 - 2010	01
55	93368562	04.408		BEARING, MAIN SHF (TO TRANS CASE) (4.352) (ACDelco #93368562) (Service Lane Part)	A	2005 - 2010	01
56	12577493	04.384		WASHER, 3RD & 4TH GR SYN HUB THR (Service Lane Part)	A (M86)	2005 - 2010	02
57		NS		COLLAR, REV IDLER SHF SUPT (PART OF 41)		2005 - 2010	
58	89059306	04.419		SPACER, REV GR BRG RLR (Service Lane Part)	A (M86)	2005 - 2010	01

C - Chevrolet >2010 >A - 1A1 - Cobalt >04 - 5-SPEED MANUAL TRANSMISSION >(GM04-031) 2005-2010 A 5-SPEED MANUAL TRANSAXLE (M86) PART 3 DIFFERENTIAL >

GM04-031 05/10/2002



Make: Chevrolet

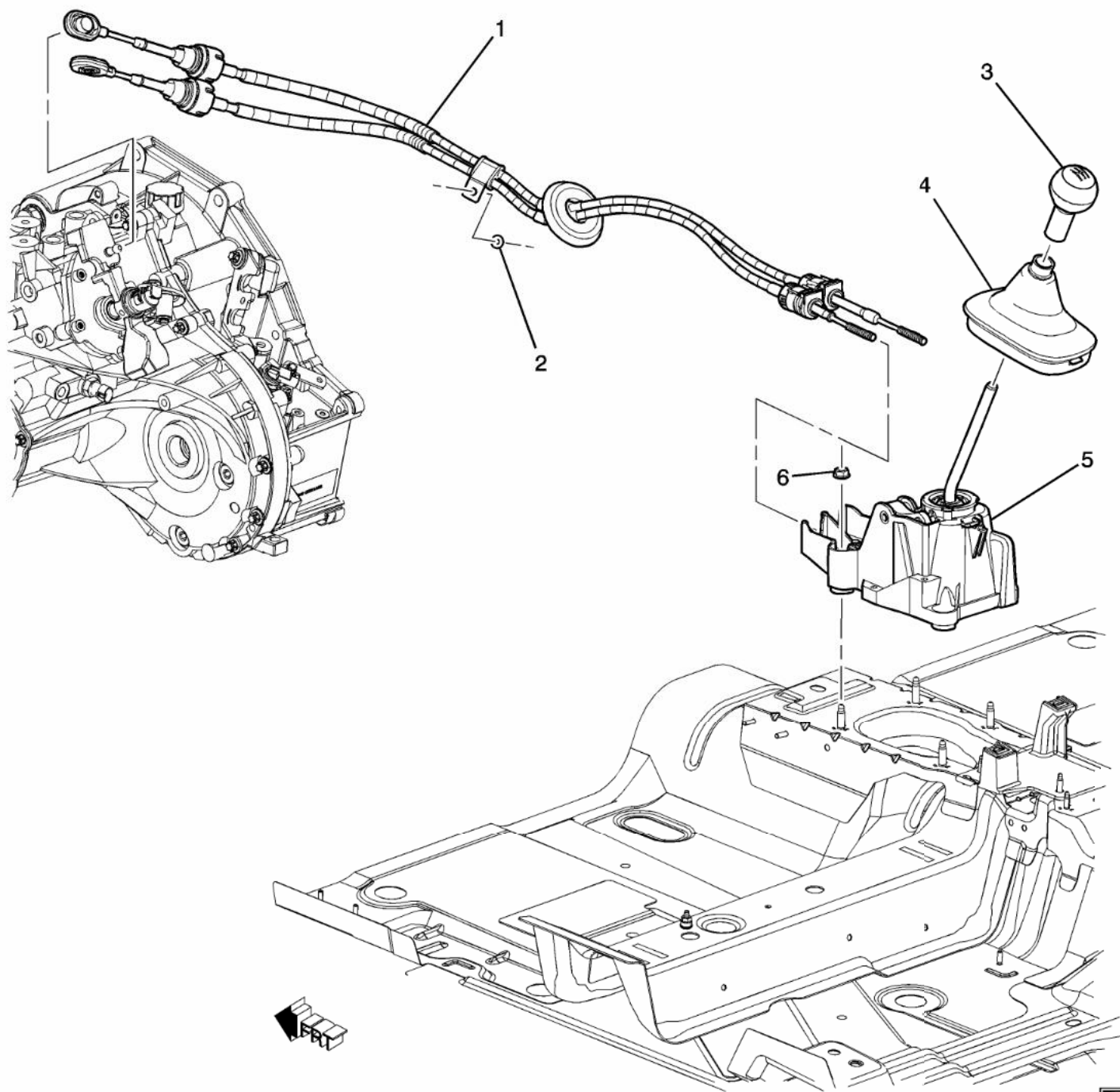
Year: 2010

Model: Cobalt

C - Chevrolet >2010 >A - 1A1 - Cobalt >04 - 5-SPEED MANUAL TRANSMISSION >(GM04-031) 2005-2010 A 5-SPEED MANUAL
TRANSAXLE (M86) PART 3 DIFFERENTIAL >

Call	Part #	Group	H	Description	Usage	Year	Qty
1	93334162	05.536		BEARING, FRT DIFF (ACDelco #S1312) (Service Lane Part)	A (M86)	2005 - 2010	02
2	93368578	05.537		SHIM, FRT DIFF BRG (0.50MM) (Service Lane Part)	A (M86)	2005 - 2010	AR
2	93368579	05.537		SHIM, FRT DIFF BRG (0.55MM) (Service Lane Part)	A (M86)	2005 - 2010	AR
2	93368580	05.537		SHIM, FRT DIFF BRG (0.60MM) (Service Lane Part)	A (M86)	2005 - 2010	AR
2	93368581	05.537		SHIM, FRT DIFF BRG (0.65MM) (Service Lane Part)	A (M86)	2005 - 2010	AR
2	93368582	05.537		SHIM, FRT DIFF BRG (0.70MM) (Service Lane Part)	A (M86)	2005 - 2010	AR
2	93368583	05.537		SHIM, FRT DIFF BRG (0.75MM) (Service Lane Part)	A (M86)	2005 - 2010	AR
2	93368584	05.537		SHIM, FRT DIFF BRG (0.80MM) (Service Lane Part)	A (M86)	2005 - 2010	AR
2	93368585	05.537		SHIM, FRT DIFF BRG (0.85MM) (Service Lane Part)	A (M86)	2005 - 2010	AR
2	93368586	05.537		SHIM, FRT DIFF BRG (0.90MM) (Service Lane Part)	A (M86)	2005 - 2010	AR
2	93368587	05.537		SHIM, FRT DIFF BRG (0.95MM) (Service Lane Part)	A (M86)	2005 - 2010	AR
2	93368588	05.537		SHIM, FRT DIFF BRG (1.00MM) (Service Lane Part)	A (M86)	2005 - 2010	AR
2	93368589	05.537		SHIM, FRT DIFF BRG (1.05MM) (Service Lane Part)	A (M86)	2005 - 2010	AR
2	93368590	05.537		SHIM, FRT DIFF BRG (1.10MM) (Service Lane Part)	A (M86)	2005 - 2010	AR

							y
2	93368591	05.537		SHIM, FRT DIFF BRG (1.15MM) (Service Lane Part)	A (M86)	2005 - 2010	AR
2	93368592	05.537		SHIM, FRT DIFF BRG (1.20MM) (Service Lane Part)	A (M86)	2005 - 2010	AR
2	93368593	05.537		SHIM, FRT DIFF BRG (1.25MM) (Service Lane Part)	A (M86)	2005 - 2010	AR
2	93368594	05.537		SHIM, FRT DIFF BRG (1.30MM) (Service Lane Part)	A (M86)	2005 - 2010	AR
2	93368595	05.537		SHIM, FRT DIFF BRG (1.35MM) (Service Lane Part)	A (M86)	2005 - 2010	AR
3	93368577	05.531		BOLT, FRT DIFF R/GR (Service Lane Part)	A (M86)	2005 - 2010	10
4	12576488	05.529		GEAR, FRT DIFF RING (Service Lane Part)	A (M86,FR6)	2005 - 2010	01
4	19207275	05.529		GEAR, FRT DIFF RING (Service Lane Part)	A (LAP,M86,FY1)	2009 - 2010	01
5	88893964	05.505		DIFFERENTIAL, FRT (INCLS 7-12) (Service Lane Part)	A (M86)	2005 - 2010	01
6	88893965	04.710		WHEEL, FRT WHL SPD SEN RELUCTOR (ACDelco #88893965) (Service Lane Part)	A	2005 - 2010	01
7	93295731	05.543		WASHER, FRT DIFF SI GR THR (PART OF 5) (Service Lane Part)	A (M86)	2005 - 2010	02
8	93295749	05.528		GEAR, FRT DIFF SI (PART OF 5) (Service Lane Part)	A (M86)	2005 - 2010	02
9	93321325	05.518		RING, FRT DIFF P/GR SHF RET (PART OF 5) (Service Lane Part)	A (M86)	2005 - 2010	02
10	93295733	05.542		WASHER, FRT DIFF P/GR THR (PART OF 5) (Service Lane Part)	A (M86)	2005 - 2010	02
11	93295732	05.526		GEAR, FRT DIFF PINION (PART OF 5) (Service Lane Part)	A (M86)	2005 - 2010	02
12	93321326	05.517		SHAFT, FRT DIFF P/GR (PART OF 5) (Service Lane Part)	A (M86)	2005 - 2010	01



Make: Chevrolet

Year: 2010

Model: Cobalt

C - Chevrolet >2010 >A - 1A1 - Cobalt >04 - 5-SPEED MANUAL TRANSMISSION >(1A04-007) 2005-2010 A SHIFT CONTROLS/MANUAL TRANSMISSION (M86) >

Call	Part #	Group	H	Description	Usage	Year	Qty
1	25857595	04.047		CABLE, M/TRNS SHFT LVR & SEL LVR (Service Lane Part)	A (M86)	2008 - 2010	01
2	03530297	08.917		NUT, HFH,M6X1,5.85THK,14. 2 O.D.,10,ZOR (M/TRNS SEL LVR CBL) (Service Lane Part)		2005 - 2010	01
3	22724498	04.006		HANDLE, M/TRNS CONT LVR (INCLS SHIFT PATTERN) (Service Lane Part)	AL (M86,VY7)	2010 - 2010	01
3	22724499	04.006		HANDLE, M/TRNS CONT LVR (EBONY) (Service Lane Part)	AL (M86) (EXC VY7)	2010 - 2010	01
3	22724499	04.006		HANDLE, M/TRNS CONT LVR (EBONY) (Service Lane Part)	AJ,AK (M86)	2010 - 2010	01
4	15257424	04.015		BOOT, M/TRNS CONT LVR (Service Lane Part)	A (M86)	2005 - 2010	01
5	15257212	04.004		CONTROL, M/TRNS (W/O SHFT PATT) (Service Lane Part)	A (M86)	2005 - 2010	01
6	11514596	08.917		NUT, HFH,M8X1.25,17.9 OD,738 THK,13MM HEX,10, ZF (M/TRNS CONT) (8.915) (ACDelco #11514596) (Service Lane Part)		2005 - 2010	04