

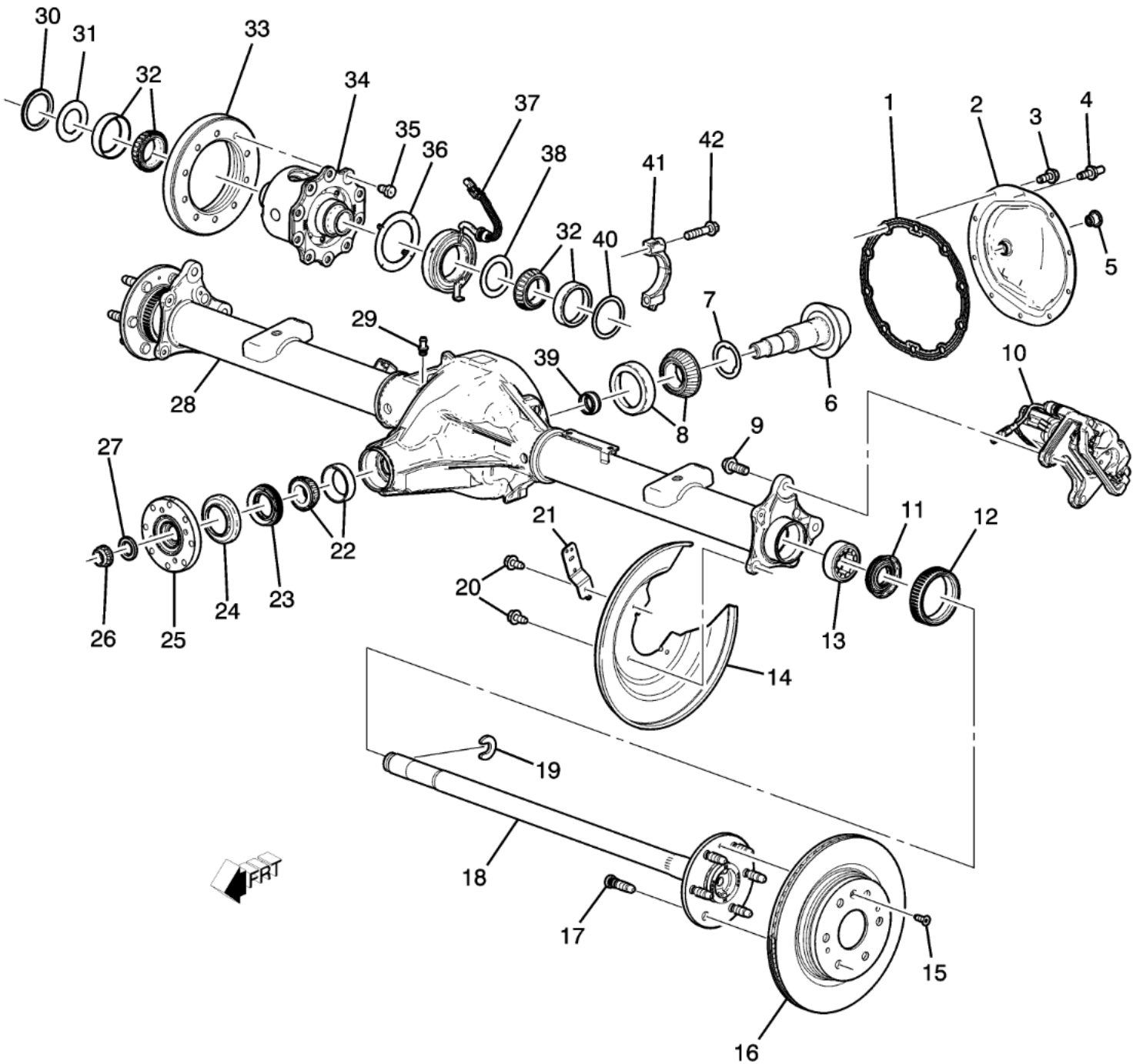


G - GMC>2024>4 - T4B - Canyon>05 - BRAKES-REAR AXLE-PROPELLER SHAFT-WHEELS-TIRES>(U405-002) 2023-2024 4H,4S AXLE ASM/REAR PART 1 (ELECTRONIC LOCKING G94)

 =  Single Use Part

U405-002 09/14/2022



Make: GMC

Year: 2024

Model: Canyon

G - GMC>2024>4 - T4B - Canyon>05 - BRAKES-REAR AXLE-PROPELLER SHAFT-WHEELS-TIRES>(U405-002) 2023-2024 4H,4S AXLE ASM/REAR PART 1 (ELECTRONIC LOCKING G94)

Call	Part #	Group	H	Description	Usage	Year	Qty
1	85622276	05.399		GASKET, R/AXL HSG CVR (ACDelco #85622276) (Service Lane Part)	4 (43) (L3B)	2024 - 2024	01
2	84937108	05.398		COVER, R/AXL HSG (ACDelco #84937108) (Service Lane Part)	4 (43)	2024 - 2024	01
5	55573646	05.400		PLUG, DIFF CARR FILL (M20X1.5X16) (29 OD) (INCLS O-RING, MAGNET) (ZINC COATED) (SQ/RATCHET STYLE) (4.510) (ACDelco #55573646) (Service Lane Part)	4 (43)	2023 - 2024	01
6		NS		GEAR, DIFF DRV PINION (*KIT2)		2023 - 2024	
7	14038010	05.460		SHIM KIT, DIFF DRV P/GR BRG (.5080-.5842MM) (9.25) (Service Lane Part)	4 (43)	2023 - 2024	01
7	14038011	05.460		SHIM KIT, DIFF DRV P/GR BRG (.6096-.7112MM) (9.25) (Service Lane Part)	4 (43)	2023 - 2024	01
7	14038012	05.460		SHIM KIT, DIFF DRV P/GR BRG (.7366-.8382MM) (9.25) (Service Lane Part)	4 (43)	2023 - 2024	01
7	14038013	05.460		SHIM KIT, DIFF DRV P/GR BRG (.8636-.9398MM) (9.25) (Service Lane Part)	4 (43)	2023 - 2024	01
8	84937117	05.484		BEARING, DIFF DRV P/GR INR (ACDelco #84937117) (Service Lane Part)	4 (43)	2023 - 2024	01
9	11546469	04.665		BOLT, RR BRK CLPR BRKT (M14X2X40,18) (Service Lane Part)	4 (43)	2023 - 2024	04
10		NS		CALIPER, RR BRK (SEE GROUP 04 \"BRAKE CALIPER/REAR\" FOR DETAILED ILLUSTRATED VIEW)		2023 - 2024	
11	84446287	05.822		SEAL, R/AXL SHF (ACDelco #291-360) (Service Lane Part)	4 (43)	2023 - 2024	02
12	84127132	04.710		RING, WHL SPD SEN RELUCTOR (PART OF 18) (ACDelco #84127132) (Service Lane Part)	4 (43) (L3B)	2023 - 2024	02
13	12479031	05.422		BEARING, R/AXL SHF (5.855) (ACDelco #RW20-10) (Service Lane Part)	4 (43)	2024 - 2024	02

Call	Part #	Group	H	Description	Usage	Year	Qty
14	87821842	05.002		SHIELD, RR BRK (ACDelco #87821842) (Service Lane Part)	4 (43)	2023 - 2024	02
15	11570339	05.811		BOLT, BRK ROT (M6X1X20,12.3 OD) (14.2 THD) (8.908) (Service Lane Part)	4	2023 - 2024	02
16	13539733	05.809		ROTOR, RR BRK (CTD) (ACDelco #13539733) (Service Lane Part)	4 (43)	2023 - 2024	02
17	12451948	05.812		STUD, RR WHL (PART OF 18) (M14X1.5X58) (SERRATED SHANK) (Service Lane Part)	4 (43) (L3B)	2023 - 2024	12
18	84937150	05.420	R	SHAFT, R/AXL (INCLS 12,17) (ACDelco #84937150)	4S (43) (ZR2)	2023 - 2024	01
18	84937150	05.420	R	SHAFT, R/AXL (INCLS 12,17) (ACDelco #84937150)	4 (43)	2024 - 2024	01
18	84937149	05.420	L	SHAFT, R/AXL (INCLS 12,17) (ACDelco #84937149)	4S (43) (ZR2)	2023 - 2024	01
18	84937149	05.420	L	SHAFT, R/AXL (INCLS 12,17) (ACDelco #84937149)	4 (43)	2024 - 2024	01
19	14012746	05.422		LOCK, R/AXL SHF (43.0 X 22.5MM) (ACDelco #14012746) (Service Lane Part)	4 (43)	2024 - 2024	02
20	11604040	05.002		BOLT, RR BRK SHLD (4.681) (Service Lane Part)	4 (43)	2023 - 2024	06
21	84577554	02.530		BRACKET, CHAS RR WRG HARN CONN (Service Lane Part)	4 (43)	2023 - 2024	01
22	84937118	05.447		BEARING, DIFF DRV P/GR OTR (ACDelco #84937118) (Service Lane Part)	4 (43)	2024 - 2024	01
23	84428304	05.469		SEAL, DIFF DRV P/GR (*KIT3) (ACDelco #84428304) (Service Lane Part)	4 (43)	2023 - 2024	01
24		NS		DEFLECTOR, DIFF DRV P/GR DIRT (*KIT3)		2023 - 2024	
25		NS		YOKE, DIFF DRV P/GR (*KIT3)		2023 - 2024	
26	11603375	05.595		NUT, DIFF DRV P/GR (*KIT2,KIT3) (5.518) (ACDelco #11603375) (Service Lane Part)	4H,4S (43)	2023 - 2024	01
27	11603381	05.595		WASHER, DIFF DRV P/GR (*KIT3) (5.517) (ACDelco #11603381) (Service Lane Part)	4 (43)	2023 - 2024	01
28	84937141	05.387		HOUSING, R/AXL (INCLS 29,41,42)	4S (43) (ZR2)	2023 - 2024	01

Call	Part #	Group	H	Description	Usage	Year	Qty
28	84937141	05.387		HOUSING, R/AXL (INCLS 29,41,42)	4H (43) (ZR2)	2023 - 2024	01
29		NS		CONNECTOR, R/AXL VENT HOSE (PART OF 28)		2023 - 2024	
31		NS		SHIM, DIFF BRG (*KIT1)		2023 - 2024	
32	84937119	05.536		BEARING, DIFF (ACDelco #84937119) (Service Lane Part)	4 (43)	2024 - 2024	02
33		NS		GEAR, DIFF RING (*KIT2)		2023 - 2024	
34	84937136	05.505		DIFFERENTIAL, ELEK LKG (SEE GROUP 05 \"AXLE ASM/REAR DIFFERENTIAL\" FOR DETAILED ILLUSTRATED VIEW) (ACDelco #84937136)	4S (43) (ZR2)	2023 - 2024	01
34	84937136	05.505		DIFFERENTIAL, ELEK LKG (SEE GROUP 05 \"AXLE ASM/REAR DIFFERENTIAL\" FOR DETAILED ILLUSTRATED VIEW) (ACDelco #84937136)	4H (43) (ZR2)	2023 - 2024	01
35	11610549	05.531		BOLT, RR DIFF R/GR (7/16-20) (*KIT2) (ACDelco #11610549) (Service Lane Part)	4H,4S (43)	2023 - 2024	10
36	84937139	05.511		PLATE, RR ELEK LKG DIFF (ACDelco #84937139) (Service Lane Part)	4S (43) (ZR2)	2023 - 2024	01
36	84937139	05.511		PLATE, RR ELEK LKG DIFF (ACDelco #84937139) (Service Lane Part)	4H (43) (ZR2)	2024 - 2024	01
37	86823890	05.511		ACTUATOR, RR ELEK LKG DIFF (ACDelco #86823890) (Service Lane Part)	4H (43) (ZR2)	2024 - 2024	01
37	86823890	05.511		ACTUATOR, RR ELEK LKG DIFF (ACDelco #86823890) (Service Lane Part)	4S (43) (ZR2)	2023 - 2024	01
39	12479162	05.453		SPACER, DIFF DRV P/GR BRG (.062-.068\" THK) (*KIT2) (ACDelco #12479162) (Service Lane Part)	4 (43)	2023 - 2024	01
40		NS		SHIM, DIFF BRG		2023 - 2024	
41		NS		CAP, DIFF BRG (PART OF 28)		2023 - 2024	
42	84937123	05.506		BOLT, DIFF BRG CAP (PART OF 28)	4H,4S (43)	2024 - 2024	04
K01	12471362	05.537		SHIM KIT, DIFF BRG (INCLS 31) (1.016-1.118MM RANGE) (RR AXLE) (ACDelco #12471362) (Service Lane Part)	4 (43)	2023 - 2024	01

Call	Part #	Group	H	Description	Usage	Year	Qty
K01	12471363	05.537		SHIM KIT, DIFF BRG (INCLS 31) (1.168-1.372MM RANGE) (RR AXLE) (ACDelco #12471363) (Service Lane Part)	4 (43)	2023 - 2024	01
K01	12471364	05.537		SHIM KIT, DIFF BRG (INCLS 31) (1.422-1.626MM RANGE) (RR AXLE) (ACDelco #12471364) (Service Lane Part)	4 (43)	2023 - 2024	01
K01	12471365	05.537		SHIM KIT, DIFF BRG (INCLS 31) (1.676-1.880MM RANGE) (RR AXLE) (ACDelco #12471365) (Service Lane Part)	4 (43)	2023 - 2024	01
K01	12471366	05.537		SHIM KIT, DIFF BRG (INCLS 31) (1.930-2.134MM RANGE) (RR AXLE) (ACDelco #12471366) (Service Lane Part)	4 (43)	2023 - 2024	01
K01	12471367	05.537		SHIM KIT, DIFF BRG (INCLS 31) (2.184-2.388MM RANGE) (RR AXLE) (ACDelco #12471367) (Service Lane Part)	4 (43)	2023 - 2024	01
K01	12471368	05.537		SHIM KIT, DIFF BRG (INCLS 31) (2.438-2.540MM RANGE) (RR AXLE) (ACDelco #12471368) (Service Lane Part)	4 (43)	2023 - 2024	01
K01	84937126	05.537		SHIM KIT, DIFF BRG (INCLS 31)	4 (43)	2024 - 2024	01
K01	84937128	05.537		SHIM KIT, DIFF BRG (INCLS 31)	4 (43)	2024 - 2024	01
K01	84937127	05.537		SHIM KIT, DIFF BRG (INCLS 31)	4 (43)	2024 - 2024	01
K02	84937125	05.529		GEAR KIT, DIFF RING & PINION (INCLS 6,26,33,35,39) (ACDelco #84937125) (Service Lane Part)	4H,4S (43) (ZR2)	2023 - 2024	01
K02	84937125	05.529		GEAR KIT, DIFF RING & PINION (INCLS 6,26,33,35,39) (ACDelco #84937125) (Service Lane Part)	4 (43) (L3B,Z2I)	2023 - 2024	01
K03	84937124	05.545		YOKE KIT, DIFF DRV P/GR (INCLS 23-27) (ACDelco #84937124) (Service Lane Part)	4 (43) (L3B)	2023 - 2024	01