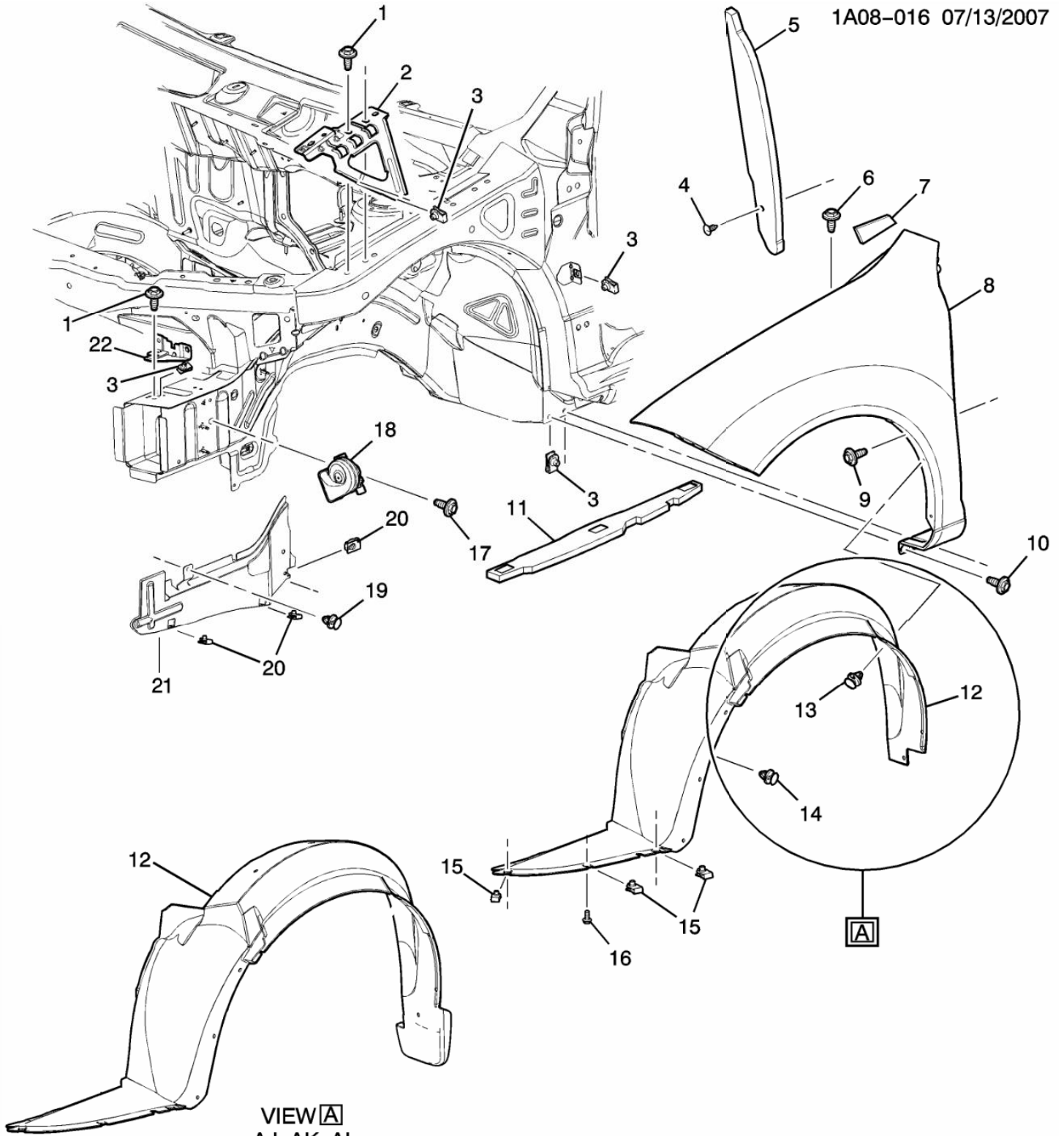


C - Chevrolet >2008 >A - 1A1 - Cobalt >08 - FRONT END SHEET METAL-HEATER-VEHICLE MAINTENANCE >(1A08-016) 2005-2010 A FENDER & WHEELHOUSE/FRONT END >

1A08-016 07/13/2007



rk



Make: Chevrolet

Year: 2008

Model: Cobalt

C - Chevrolet >2008 >A - 1A1 - Cobalt >08 - FRONT END SHEET METAL-HEATER-VEHICLE MAINTENANCE >(1A08-016) 2005-2010 A  
FENDER & WHEELHOUSE/FRONT END >

Call	Part #	Group	H	Description	Usage	Year	Qty
1	11561674	08.900		BOLT, HEX W/FL WA,M6X1X20,12 THD,24 OD,9.8,GMW3359, M- PT (F/FDR FRT LWR BRKT) (Service Lane Part)		2005 - 2010	06
2	15832632	08.141	L	REINFORCEMENT, F/FDR FRT LWR	A	2005 - 2010	01
2	15832633	08.141	R	REINFORCEMENT, F/FDR FRT LWR	A	2005 - 2010	01
3	11570097	08.921		NUT, U-TYPE,M6X1, 21.4X15, 11.7 C/E, SAE 1050 STL,GMW3359. (F/FDR) (Service Lane Part)		2005 - 2010	08
4	11610086	08.154		RETAINER, F/FDR INSL (PART OF 5) (7.6 DIA X 29.5) (FABRIC HEAD MATCHES TRIM) (11.573) (Service Lane Part)	A	2006 - 2010	02
5	20918499	08.154	L	INSULATOR, F/FDR (INCLS 4)	A	2005 - 2010	01
5	20918500	08.154	R	INSULATOR, F/FDR (INCLS 4)	A	2005 - 2010	01
6	11561674	08.900		BOLT, HEX W/FL WA,M6X1X20,12 THD,24 OD,9.8,GMW3359, M- PT (F/FDR UPR) (Service Lane Part)		2005 - 2010	06
7	22830053	08.154		SEAL, F/FDR (RECTANGLE SHAPED & MOUNTS TO BODY) (REPLACES SQUARE SHAPED SEALS MOUNTED TO FENDER OR BODY) (Service Lane Part)	A	2005 - 2010	02
8	15793419	08.130	L	FENDER, FRT	A	2005 - 2010	01
8	15793420	08.130	R	FENDER, FRT	A	2005 - 2010	01

							y
9	11561674	08.900		BOLT, HEX W/FL WA,M6X1X20,12 THD,24 OD,9.8,GMW3359, M- PT (F/FDR CTR) (Service Lane Part)		2005 - 2010	02
10	11561674	08.900		BOLT, HEX W/FL WA,M6X1X20,12 THD,24 OD,9.8,GMW3359, M- PT (F/FDR LWR) (Service Lane Part)		2005 - 2010	04
11		NS		INSULATOR, FRT W/H PNL UPR FRT (PART OF 12)		2005 - 2010	
12	15289944	08.153	R	LINER, FRT W/H (INCLS 11,15)	AP	2005 - 2010	01
12	15289944	08.153	R	LINER, FRT W/H (INCLS 11,15)	AM	2006 - 2008	01
12	15289946	08.153	R	LINER, FRT W/H (INCLS 11,15)	AJ,AK,AL	2005 - 2008	01
12	15845960	08.153	L	LINER, FRT W/H (INCLS 11,15)	AM	2006 - 2008	01
12	15845960	08.153	L	LINER, FRT W/H (INCLS 11,15)	AP	2005 - 2010	01
12	15845961	08.153	L	LINER, FRT W/H (INCLS 11,15)	AJ,AK,AL	2005 - 2008	01
13		08.154		RETAINER, FRT W/H PNL		2007 - 2010	
13	21030249	08.940		RETAINER, EXPAN,21 LG,20. OD,8.0 HOLE,3.0-5.0 PNL,NYLON 6/6,BLK (FRT W/H PNL) (8.950) (PUSH IN) (Service Lane Part)		2007 - 2010	10
14	11609417	08.153		RETAINER, FRT W/H PNL (PUSH IN) (8.5 X 14 X 19) (12.944)	A	2005 - 2008	02
15	11515638	08.921		NUT, U- TYPE,M4.2X1.41X10.5. 5X22,.65-3.8 PNL THK,1050,ZF (PART OF 12) (Service Lane Part)		2005 - 2010	06

							y
16	11609489	08.977		BOLT, HEX W/ WASHER,4.2X1.41X25, 14.5 THD17 OD,GM6010M STL, GMW4205 (FRT W/H LNR) (Service Lane Part)		2005 - 2010	06
17	11517518	08.900		BOLT, HFH,M6X1X20,17.9 THD,14.2 O.D.,9.8,TIN ZN (HORN) (ACDelco #11517518) (Service Lane Part)		2005 - 2010	01
18	22758313	02.810		HORN, 410 HZ (ACDelco #22758313) (Service Lane Part)	A	2005 - 2010	01
19		08.153		RETAINER, ENG SPH SHLD (PUSH IN)		2007 - 2010	
19	21030249	08.940		RETAINER, EXPAN,21 LG,20. OD,8.0 HOLE,3.0-5.0 PNL,NYLON 6/6,BLK (ENG SPH SHLD (PUSH IN)) (8.950) (PUSH IN) (Service Lane Part)		2007 - 2010	05
20	11513599	08.921		NUT, U- TYPE,M4.2X1.41,0.65- 3.80 PNL THK,PZ (PART OF 21) (ACDelco #11513599) (Service Lane Part)		2005 - 2010	06
21	15257055	08.153	L	SHIELD, ENG SPH (INCLS 20)	A	2005 - 2010	01
21	25859809	08.153	R	SHIELD, ENG SPH (INCLS 20)	A	2005 - 2010	01
22	15785270	02.726	L	BRACKET, HDLP HSG BRKT	A	2005 - 2008	01
22	15785271	02.726	R	BRACKET, HDLP HSG BRKT	A	2005 - 2008	01