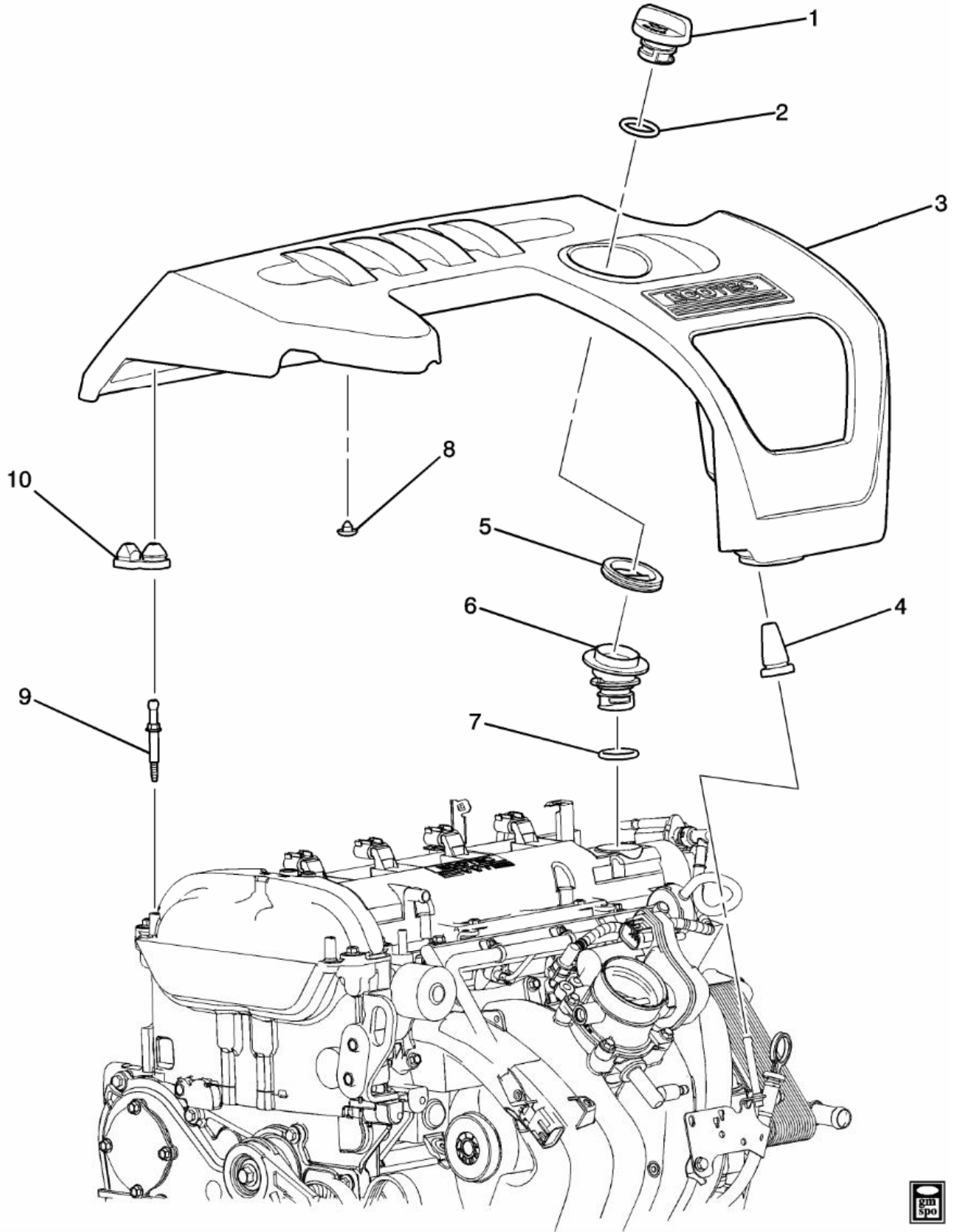


2.4 LE5
Engine Components List
Based off 2008 Cobalt



C - Chevrolet >2008 >A - 1A1 - Cobalt >00 - 4-CYLINDER ENGINE >(1A00-014) 2006-2008 A INTAKE MANIFOLD SHIELD/COVERS (L61/2.2F,LE5/2.4B) >

1A00-014 03/22/2005



Make: Chevrolet

Year: 2008

Model: Cobalt

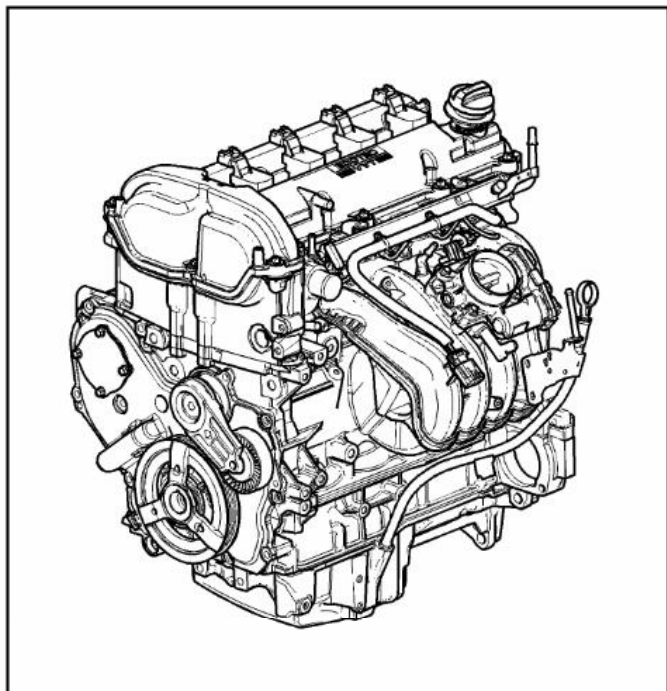
C - Chevrolet >2008 >A - 1A1 - Cobalt >00 - 4-CYLINDER ENGINE >(1A00-014) 2006-2008 A INTAKE MANIFOLD SHIELD/COVERS
(L61/2.2F,LE5/2.4B) >

Call	Part #	Group	H	Description	Usage	Year	Qty
1	12589430	01.758		CAP, OIL FIL (SAE 5W30, VENTED, W/SEAL) (INCLS 2) (ACDelco #FC219) (Service Lane Part)	A (L61)	2005 - 2008	01
1	12589430	01.758		CAP, OIL FIL (SAE 5W30, VENTED, W/SEAL) (INCLS 2) (ACDelco #FC219) (Service Lane Part)	A (LE5)	2006 - 2008	01
2	12593348	01.758		SEAL, OIL FIL CAP (O RING) (PART OF 1) (27.94MM INNER DIAM) (SIZE #320) (ACDelco #12593348) (Service Lane Part)	A	2005 - 2010	01
3	12602517	03.265		COVER, INT MANIF (INCLS 4,5,8,10) (Service Lane Part)	A (LE5)	2006 - 2008	01
3	12602517	03.330		COVER, INT MANIF (INCLS 4,5,8,10) (3.265) (Service Lane Part)	A (LE5)	2006 - 2008	01
3	12602517	03.330		COVER, INT MANIF (INCLS 4,5,8,10) (3.265) (Service Lane Part)	A (L61,NT7,NUA)	2008 - 2008	01
3	12602517	03.265		COVER, INT MANIF (INCLS 4,5,8,10) (Service Lane Part)	A (L61,NT7,NUA)	2008 - 2008	01
3	12602518	03.265		COVER, INT MANIF (INCLS 4,5,8,10) (Service Lane Part)	A (L61,NU6)	2007 - 2008	01
3	12602518	03.330		COVER, INT MANIF (INCLS 4,5,8,10) (3.265) (Service Lane Part)	A (L61,NU6)	2007 - 2008	01
4	12600318	03.265		GROMMET, UPR INT MANIF SIGHT SHLD (PART OF 3) (24.5X32X50) (Service Lane Part)	A (LE5,L61)	2007 - 2008	01

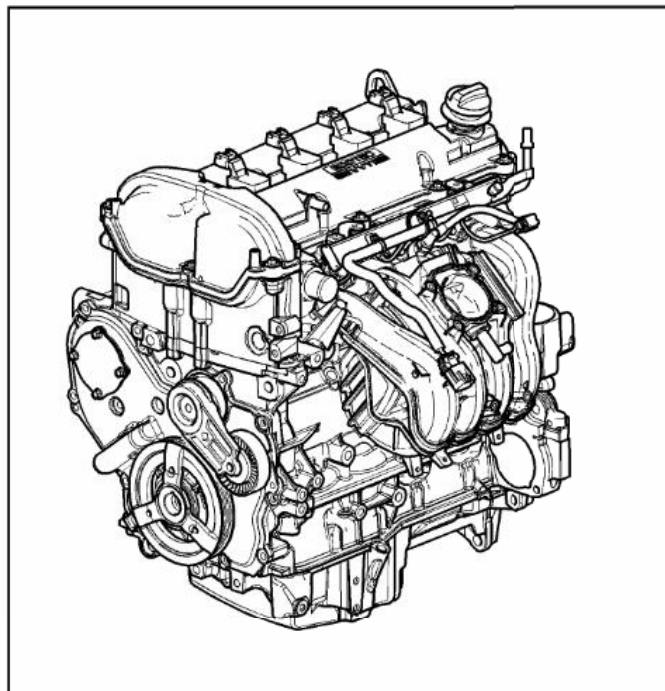
							y
5	12600319	03.265		GROMMET, UPR INT MANIF SIGHT SHLD (PART OF 3) (45.9 ID, 60.6 OD, FITS HOLE 50.6) (Service Lane Part)	A (LE5,L61)	2007 - 2008	01
6	12589431	01.745		TUBE, OIL FIL (INCLS 7) (W/O CAP) (Service Lane Part)	A (LE5)	2006 - 2008	01
6	12589431	01.745		TUBE, OIL FIL (INCLS 7) (W/O CAP) (Service Lane Part)	A (L61)	2005 - 2008	01
7	12593348	01.758		SEAL, OIL FIL CAP (O RING) (PART OF 6) (27.94MM INNER DIAM) (SIZE #320) (ACDelco #12593348) (Service Lane Part)	A	2005 - 2010	01
8		NS		INSULATOR, UPR INT MANIF SIGHT SHLD (PART OF 3)		2006 - 2008	
9	11609908	03.275		STUD, UPR INT MANIF SIGHT SHLD (M6X1X50.35) (W/SHLDR) (Service Lane Part)	A (L61)	2005 - 2008	01
9	11609908	03.275		STUD, UPR INT MANIF SIGHT SHLD (M6X1X50.35) (W/SHLDR) (Service Lane Part)	A (LE5)	2006 - 2008	01
10	12591716	03.265		GROMMET, UPR INT MANIF SIGHT SHLD (PART OF 3) (OFF SET) (Service Lane Part)	A (LE5,L61)	2006 - 2008	01
10	12591716	03.265		GROMMET, UPR INT MANIF SIGHT SHLD (PART OF 3) (OFF SET) (Service Lane Part)	A (L61,NT7,NU3)	2006 - 2008	01

>

GM00-527 07/23/2007



1



2

Make: Chevrolet

Year: 2008

Model: Cobalt

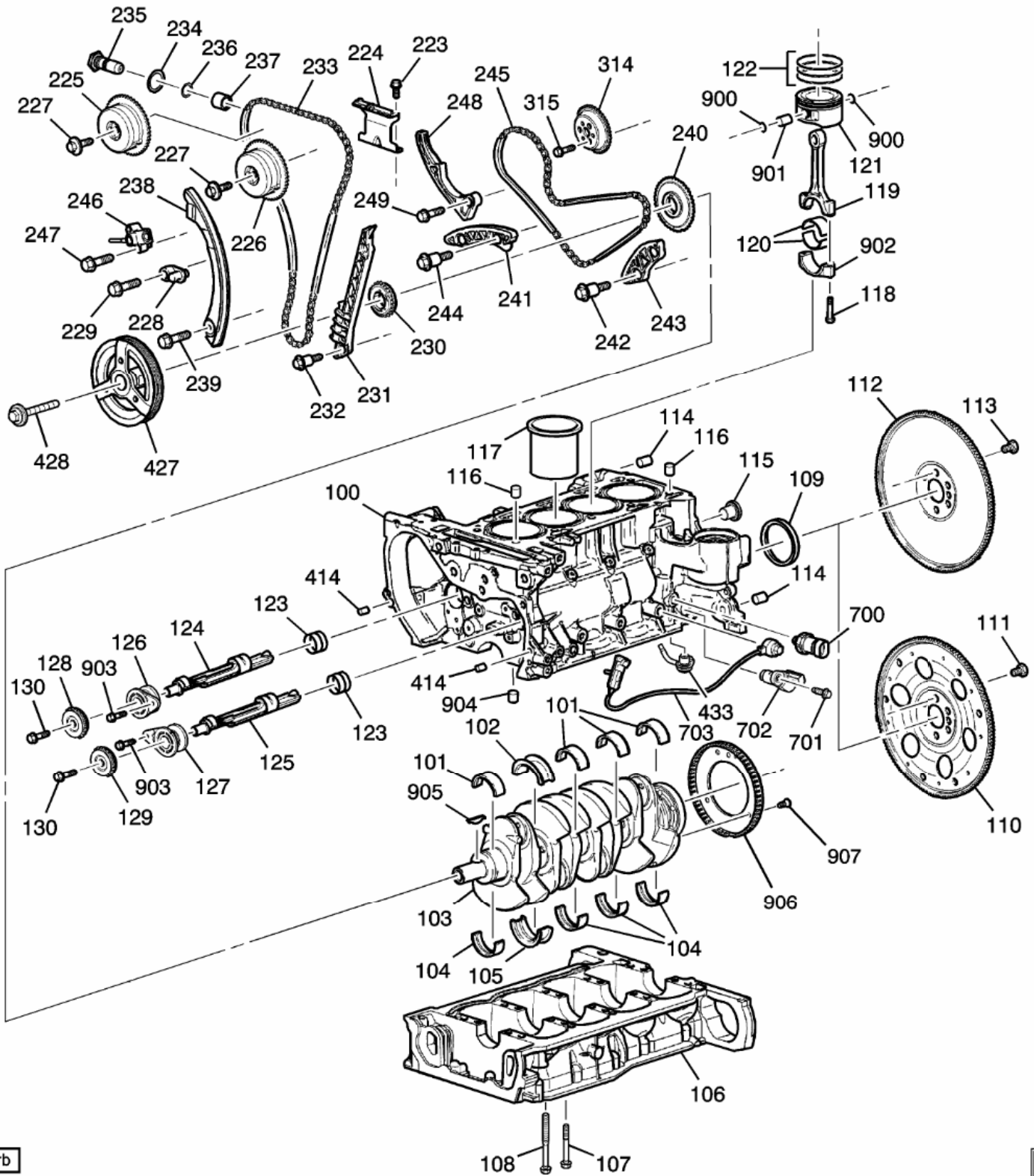
C - Chevrolet >2008 >A - 1A1 - Cobalt >00 - 4-CYLINDER ENGINE >(GM00-527) 2007-2008 A ENGINE ASM & PARTIAL ENGINE (LE5/2.4B)

>

Call	Part #	Group	H	Description	Usage	Year	Qty
1		NS		ENGINE, 2.4 L (146 CID)		2007 - 2008	
2		00.000		ENGINE, GASOLINE (SERVICE NEW)		2006 - 2010	
2		00.000		ENGINE, GASOLINE (SERVICE)		2006 - 2010	
2		00.000		ENGINE, GASOLINE		2006 - 2010	
2	19259135	00.000A		ENGINE, GASOLINE (REMANUFACTURED-NOT FOR SALE WHERE IMPORTS ARE RESTRICTED) (VEHICLES EQUIPED W/OIL COOLER ALSO REQUIRES KIT 89060544)	A (LE5)	2007 - 2008	01

C - Chevrolet >2008 >A - 1A1 - Cobalt >00 - 4-CYLINDER ENGINE >(GM00-496) 2006-2008 A ENGINE ASM-2.4L L4 PART 1 CYLINDER BLOCK & INTERNAL PARTS (LE5/2.4B) >

GM00-496 10/21/2008



rb



Make: Chevrolet

Year: 2008

Model: Cobalt

C - Chevrolet >2008 >A - 1A1 - Cobalt >00 - 4-CYLINDER ENGINE >(GM00-496) 2006-2008 A ENGINE ASM-2.4L L4 PART 1 CYLINDER BLOCK & INTERNAL PARTS (LE5/2.4B) >

Call	Part #	Group	H	Description	Usage	Year	Qty
100		NS		BLOCK, ENG		2006 - 2008	
101	12591092	00.096		BEARING KIT, CR/SHF (INCLS 102,104,105) (FULL SET) (Service Lane Part)	A (LE5) (EXC CV2)	2006 - 2008	01
101	19301213	00.096		BEARING KIT, CR/SHF (INCLS 102,104,105) (Service Lane Part)	A (LE5,MN5,M86,CV2) (EXPORT)	2008 - 2008	01
102		NS		BEARING, CR/SHF THR UPR (PART OF 101)		2006 - 2008	
103	12578182	00.646		CRANKSHAFT, (MCHG) (Service Lane Part)	A (LE5)	2006 - 2008	01
104		NS		BEARING, CR/SHF LWR (PART OF 101)		2006 - 2008	
105		NS		BEARING, CR/SHF THR LWR (PART OF 101)		2006 - 2008	
106		NS		CRANKCASE, LWR (CSTG)		2006 - 2008	
107	11588733	08.900		BOLT, HFH,M8X1.25X80.8,21. 6 THD, 18 OD, 8.8 STL, GMW3359 (LWR C/CASE) (Service Lane Part)		2006 - 2008	10
108	11571239	08.900		BOLT, HFH,M10X1.5X146,71 THD,22.75 OD,8.8,GMW3179 A,REDUCED BODY (LWR C/CASE) (Service Lane Part)		2006 - 2008	20
109	12591866	00.137		SEAL, CR/SHF RR OIL (Service Lane Part)	A (LE5)	2006 - 2008	01
110	12647333	00.666		PLATE, A/TRNS FLEX (Service Lane Part)	A (LE5,MN5)	2006 - 2008	01
111	90236536	00.669		BOLT, A/TRNS FLEX PLT (M10X1.25X18) (Service Lane Part)	A (LE5,MN5)	2006 - 2008	06
112	90537283	00.666		FLYWHEEL, ENG (Service Lane Part)	A (LE5,M86)	2006 - 2008	01

							y
113	11570626	00.669		BOLT, FLYWHL (M10X1.25X23.5) (Service Lane Part)	A (LE5,M86)	2006 - 2008	06
114	90351708	00.685		PIN, TRANS LOC (18.5MM OD X12MM LONG) (0.219) (Service Lane Part)	A	2006 - 2008	02
115	11588547	00.034		PLUG, ENG BLK CORE HOLE (M12X1.75X16.5) (20.5OD) (0.253) (Service Lane Part)	A (LE5,L61)	2008 - 2008	08
116	90537102	00.293		PIN, CYL HD LOC (Service Lane Part)	A (LE5)	2006 - 2008	02
117	89018210	00.030		SLEEVE, CYL (MCHG) (Service Lane Part)	A (LE5)	2006 - 2008	04
118	90537293	00.623		BOLT, CONN ROD (PART OF 119) (M9X1,53.7) (Service Lane Part)	A (LE5)	2006 - 2008	08
119	12654958	00.603		ROD, CONN (INCLS 118,902) (Service Lane Part)	A (LE5)	2008 - 2008	04
120	12591093	00.616		BEARING KIT, CONN ROD (STANDARD SIZE, FULL SET) (Service Lane Part)	A (LE5) (EXC CV2)	2006 - 2008	01
120	19300927	00.616		BEARING KIT, CONN ROD (STANDARD SIZE, FULL SET) (Service Lane Part)	A (LE5,CV2)	2006 - 2008	01
121	12646457	00.629		PISTON KIT, ENG (INCLS 900,901) (FOR USE IN 2010 AND OLDER, REPLACE IN SET OF 4) (TO SERVICE MY 2008 AND OLDER, MUST REPLACE WITH RING KIT 12631103) (Service Lane Part)	A (LE5)	2006 - 2008	04
122	12593744	00.643		RING KIT, PSTN	A (LE5)	2006 - 2008	04
122	12659419	00.643		RING KIT, PSTN (TO SERVICE MODEL YEAR 08 AND OLDER, YOU MUST REPLACE WITH PISTON KIT 12631102, SET OF 4) (Service Lane Part)	A (LE5) (EXC CV2)	2006 - 2008	04

							y
122	19300926	00.643		RING KIT, PSTN (TO SERVICE MODEL YEAR 08 AND OLDER, YOU MUST REPLACE WITH PISTON KIT 12631102, SET OF 4) (Service Lane Part)	A (LE5,CV2) (EXPORT)	2006 - 2008	04
123	12581395	00.539		BEARING, BALR SHF RR (Service Lane Part)	A (LE5)	2006 - 2008	02
124		NS	R	SHAFT, BALR (MCHG) (*KIT4)		2006 - 2008	
125		NS	L	SHAFT, BALR (MCHG) (*KIT3)		2006 - 2008	
126		NS	R	BEARING, BAL SHF FRT (*KIT4)		2006 - 2008	
127		NS	L	BEARING, BAL SHF FRT (*KIT3)		2006 - 2008	
128		NS	R	SPROCKET, BAL SHF (*KIT4)		2006 - 2008	
129		NS	L	SPROCKET, BAL SHF (*KIT3)		2006 - 2008	
130	11516328	08.900		BOLT, HFH,M10X1.5X30,22 O.D.,HDR PT,10.9,7114M (BAL SHF SPKT) (*KIT3,KIT4) (Service Lane Part)		2006 - 2008	02
223	11518828	08.900		BOLT, HVY HEX ACORN FLG HD (UPPER CAM CHAIN GUIDE-NOTE:DO NOT REUSE IF REMOVED-MUST BE TORQUED) (Service Lane Part)		2006 - 2008	02
224	12588387	00.724		GUIDE, TMG CHAIN (UPPER CAM CHAIN GUIDE-SPROCKET (INTAKE/EXHAUST) (CYLINDER HEAD) (UPPER FIXED) (Service Lane Part)	A (LE5)	2006 - 2008	01
225	12621505	00.736		ACTUATOR, CM/SHF POSN (Service Lane Part)	A (LE5)	2006 - 2008	01
226	12578515	00.296		ACTUATOR, INT VLV (INT) (0.736) (Service Lane Part)	A (LE5)	2006 - 2008	01

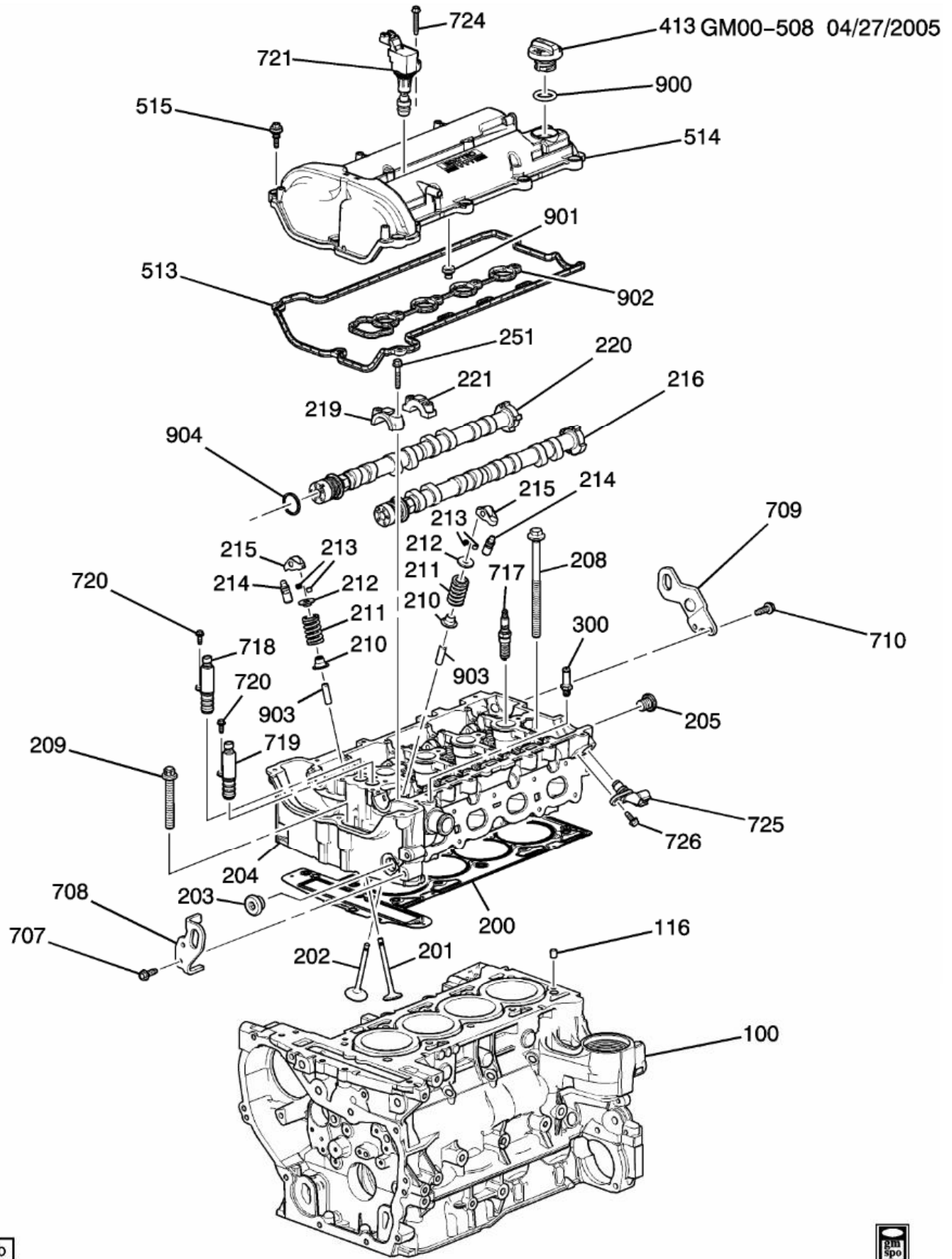
							y
227	11588279	08.900		BOLT, HFH,M10X1.5X80, 26 THD, 22.3 O.D., 10.9,GM4277M (CM/SHF POSN ACTR) (Service Lane Part)		2006 - 2008	02
228	12577163	00.748		NOZZLE, TMG CHAIN OIL (LESS SPRING) (Service Lane Part)	A (LE5)	2006 - 2008	01
229	11588714	08.900		BOLT, HFH,M6X1X30,22.7 THD,14.2 OD,8.8,GMW3359, M- PT. (TMG CHAIN OIL NOZ) (Service Lane Part)		2006 - 2008	01
230	24424758	00.728		SPROCKET, CR/SHF (FOR CAMSHAFT DRIVE) (FRT) (Service Lane Part)	A (LE5)	2006 - 2008	01
231	13104978	00.724		GUIDE, TMG CHAIN (W/O BUSHING) (Service Lane Part)	A (LE5)	2006 - 2008	01
232	11588522	08.900		BOLT, HFH W/SHLDR,M6X1X29.5,1 1.8THD,17 O.D.,8.8,6194M (TMG CHAIN GDE) (Service Lane Part)		2006 - 2008	02
233	24461834	00.724		CHAIN, CM/SHF TMG (Service Lane Part)	A (LE5)	2006 - 2008	01
234	89060424	00.724		SEAL, TMG CHAIN TENSER (PART OF 235) (Service Lane Part)	A (LE5)	2006 - 2008	01
235	12608580	00.724		TENSIONER, TMG CHAIN (INCLS 234,236,237) (ACDelco #12608580) (Service Lane Part)	A (LE5)	2006 - 2008	01
236		NS		SEAL, TENSIONER CM/SHF TMG CHAIN O-RING- (PART OF 235)		2006 - 2008	
237		NS		PLUNGER, TENSIONER CM/SHF TMG CHAIN (PART OF 235)		2006 - 2008	

							y
238	24449448	00.724		GUIDE, TMG CHAIN (W/BUSHING) (Service Lane Part)	A (LE5)	2006 - 2008	01
239	11588714	08.900		BOLT, HFH,M6X1X30,22.7 THD,14.2 OD,8.8,GMW3359, M- PT. (TMG CHAIN GDE) (Service Lane Part)		2006 - 2008	01
240	90537301	00.728		SPROCKET, CR/SHF (RR DRIVES BAL SHAFT SPROCKETS & WAT PMP) (Service Lane Part)	A (LE5)	2006 - 2008	01
241	90537336	00.659		GUIDE, BALR CHAIN (UPPER) (Service Lane Part)	A (LE5)	2006 - 2008	01
242	11588522	08.900		BOLT, HFH W/SHLDR,M6X1X29.5,1 1.8THD,17 O.D.,8.8,6194M (BAL CHAIN GDE) (Service Lane Part)		2006 - 2008	02
243	90537369	00.659		GUIDE, BALR CHAIN (LOWER) (Service Lane Part)	A (LE5)	2006 - 2008	01
244	11588522	08.900		BOLT, HFH W/SHLDR,M6X1X29.5,1 1.8THD,17 O.D.,8.8,6194M (BAL CHAIN GDE) (Service Lane Part)		2006 - 2008	02
245	12635427	01.109		CHAIN, W/PMP & BAL SHF (Service Lane Part)	A (LE5)	2006 - 2008	01
246	90537300	01.060		TENSIONER, W/PMP & BAL SHF CHAIN (ACDelco #90537300) (Service Lane Part)	A (LE5)	2006 - 2008	01
247	11588714	08.900		BOLT, HFH,M6X1X30,22.7 THD,14.2 OD,8.8,GMW3359, M- PT. (BAL CHAIN ADJ GDE) (Service Lane Part)		2006 - 2008	02
248	90537299	00.659		GUIDE, BALR CHAIN ADJ (Service Lane	A (LE5)	2006 - 2008	01

							y
249	11588714	08.900		BOLT, HFH,M6X1X30,22.7 THD,14.2 OD,8.8,GMW3359, M- PT. (BAL CHAIN ADJ GDE) (Service Lane Part)		2006 - 2008	01
314	90537298	01.109		SPROCKET, W/PMP (Service Lane Part)	A (LE5)	2006 - 2008	01
315	11518061	08.900		BOLT, HFH, M6X1X13, 10 THD, 14.2 OD, GMW25M (8.8) STL,GMW14C-PT (W/PMP SPKT) (Service Lane Part)		2006 - 2008	03
414	22531637	00.206		PIN, ENG FRT CVR LOC (8MM DIA,12MM LONG) (DOWEL) (0.413) (Service Lane Part)	A (LE5)	2006 - 2008	02
427	90537704	00.659		BALANCER, CR/SHF (5 RIB) (FWD W/EPS) (SLIP FIT BALANCER) (ACDelco #90537704) (Service Lane Part)	A (LE5)	2006 - 2008	01
428	11589123	08.900		BOLT, HFH,W/CON WA,M14X1.5X118, 103 THD, 44 THD, 10.9, 6047M (W/CAPTURED WASHER-ATTACHED) (Service Lane Part)		2006 - 2008	01
433	12641084	01.531		NOZZLE, PSTN OIL (Service Lane Part)	A (LE5)	2008 - 2008	04
700	12635992	01.800		SWITCH, ENG OIL PRESS (USE T/W MATING CONN 12085500 1 WAY FEMALE W/LEADS) (ACDelco #D1849A) (Service Lane Part)	A	2006 - 2008	01
701	11589084	02.383		BOLT, CR/SHF POSN SEN (PART OF 702) (M6X1X20,17.5 THD) (12 OD) (3.682) (Service Lane Part)	A	2006 - 2008	02
702	12588992	02.383		SENSOR, CR/SHF POSN (INCLS 701) (ACDelco #213-1696)	A (LE5)	2007 - 2008	01

							y
703	12615500	02.383		SENSOR, KNOCK (ACDelco #213-3841) (Service Lane Part)	A (LE5)	2007 - 2008	01
900	19300925	00.639		RETAINER, PSTN PIN (PART OF 121) (Service Lane Part)	A (LE5,CV2)	2008 - 2008	01
900	90537376	00.639		RETAINER, PSTN PIN (PART OF 121) (Service Lane Part)	A (LE5) (EXC CV2)	2006 - 2008	08
901		NS		PIN, PSTN (PART OF 121)		2006 - 2008	
902		NS		CAP, CONN ROD (PART OF 119)		2006 - 2008	
903	11518449	08.900		BOLT, HFH,W/ADH,M6X1.0X1 6,13.5THD,14.2 O.D.,8.8,GMW3359 (BAL SHF BRG-> (FOR:CARRIER/FLANG E-TO BLOCK) (Service Lane Part)		2006 - 2008	02
904	90537102	01.428		PIN, LWR C/CASE LOC (LOWER-BEDPLATE TO BLOCK) (0.293) (Service Lane Part)	A (LE5)	2006 - 2008	04
905	24424855	00.729		KEY, CR/SHF SPKT (Service Lane Part)	A (LE5)	2006 - 2008	01
906	12578661	02.383		RING, CR/SHF POSN SEN RELUCTOR (58 TOOTH) (Service Lane Part)	A (LE5)	2006 - 2008	01
907	55585169	02.383		BOLT, CR/SHF POSN SEN RELUCTOR RING (Service Lane Part)	A (LE5)	2006 - 2008	03
K03	12587216	00.659	L	SHAFT, BAL (INCLS 125,127,129,130) (INCLS SPROCKET) (Service Lane Part)	A (LE5)	2006 - 2008	01
K04	12587215	00.659	R	SHAFT, BAL (INCLS 124,126,128,130) (INCLS SPROCKET) (Service Lane Part)	A (LE5)	2006 - 2008	01

C - Chevrolet >2008 >A - 1A1 - Cobalt >00 - 4-CYLINDER ENGINE >(GM00-508) 2006-2008 A ENGINE ASM-2.4L L4 PART 2 CYLINDER HEAD & RELATED PARTS (LE5/2.4B) >



Make: Chevrolet

Year: 2008

Model: Cobalt

C - Chevrolet >2008 >A - 1A1 - Cobalt >00 - 4-CYLINDER ENGINE >(GM00-508) 2006-2008 A ENGINE ASM-2.4L L4 PART 2 CYLINDER HEAD & RELATED PARTS (LE5/2.4B) >

Call	Part #	Group	H	Description	Usage	Year	Qty
100		NS		BLOCK, ENG		2006 - 2008	
116	90537102	00.293		PIN, CYL HD LOC (Service Lane Part)	A (LE5)	2006 - 2008	02
200	12597769	00.289		GASKET, CYL HD (REPLACE CYL HEAD BOLTS WHEN REPLACING CYL HEAD GASKET) (*KIT1) (ACDelco #12597769) (Service Lane Part)	A (LE5)	2006 - 2008	01
201	12615936	00.297		VALVE, EXH (Service Lane Part)	A (LE5)	2007 - 2008	08
202	12622329	00.296		VALVE, INT (STD) (ALSO SERVICES OPTIONAL P/N 12667225) (Service Lane Part)	A (LE5)	2006 - 2008	08
203	11588880	08.971		PLUG, HEX HEAD,W/ALUM WASH,M22X1.5,11THD, STL,ZN (Service Lane Part)	A	2007 - 2008	AR
204	12624550	00.269		HEAD, CYL (SERV PARTIAL) (INCLS 205,219,221,251,300,90 3) (BARE HD W/VLV SEATS AND GUIDES) (W/O SECD AIR INJ)	A (LE5)	2006 - 2008	01
205	11588547	00.253		PLUG, CYL HD OIL GAL (PART OF 204) (M12X1.75X16.5) (20.5OD) (Service Lane Part)	A (LE5)	2006 - 2008	03
208	90537691	00.293		BOLT, CYL HD (M11X1.5X163) (MUST REPLACE BOLT WHEN REMOVED) (*KIT1) (Service Lane Part)	A (LE5)	2006 - 2008	10
209	24407225	00.293		BOLT, CYL HD (M8X1.25X60) (MUST REPLACE BOLT WHEN REMOVED) (*KIT1) (Service Lane Part)	A (LE5)	2006 - 2008	04

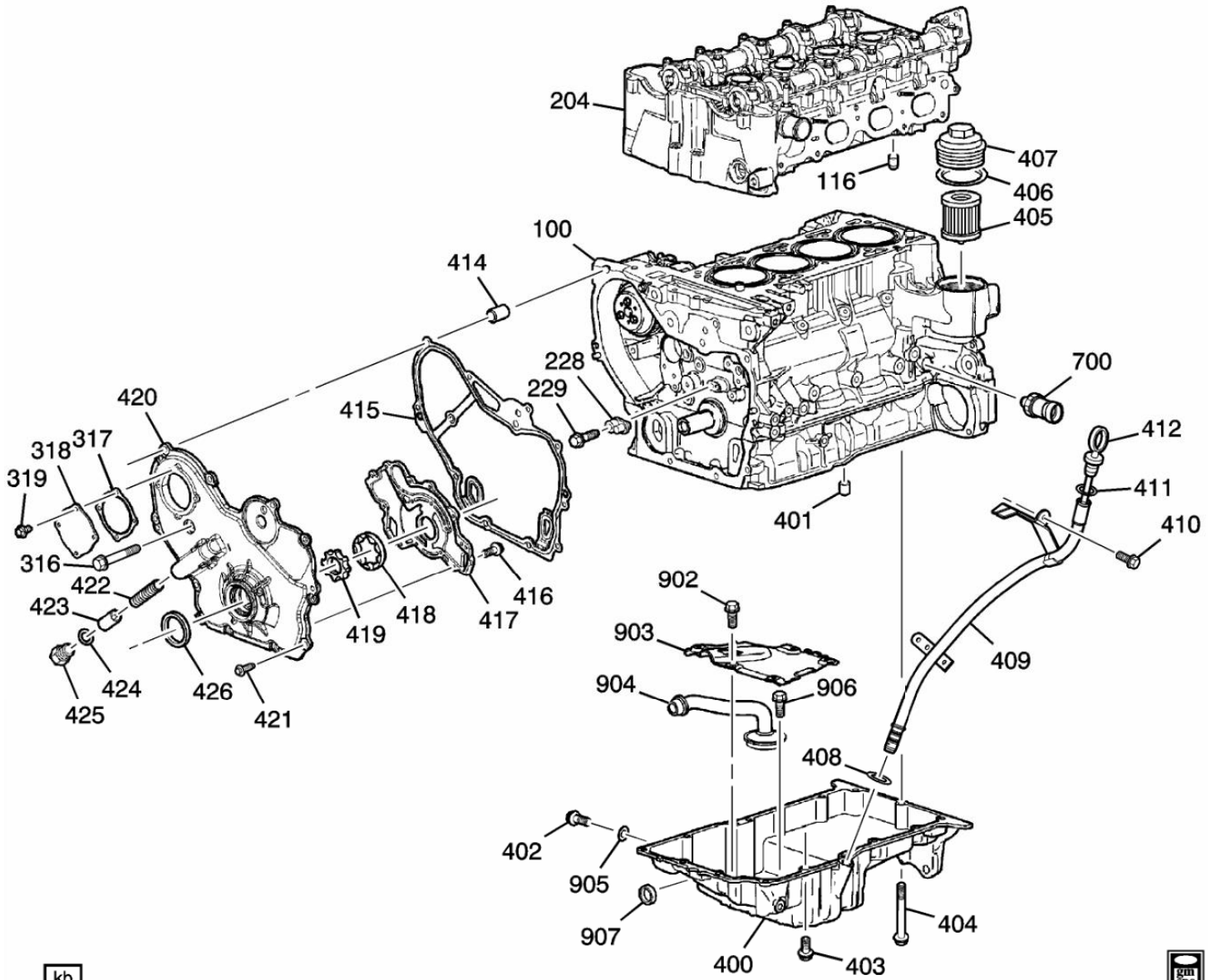
							y
210	90537241	00.308		SEAL, VLV STEM OIL (*KIT1) (Service Lane Part)	A (LE5)	2006 - 2008	16
211	90537032	00.303		SPRING, VLV (Service Lane Part)	A (LE5)	2006 - 2008	16
212	90537243	00.303		RETAINER, VLV SPR (Service Lane Part)	A (LE5)	2006 - 2008	16
213	90354648	00.310		KEY, VLV STEM (Service Lane Part)	A (LE5)	2006 - 2008	32
214	12572638	00.459		ADJUSTER, HYD VLV LASH (ACDelco #HL129) (Service Lane Part)	A (LE5)	2006 - 2008	16
215	12656486	00.333		ARM, VLV RKR (W/O BOLT) (Service Lane Part)	A (LE5)	2006 - 2008	16
216	12578511	00.519		CAMSHAFT, INT (INCLS 904) (Service Lane Part)	A (LE5)	2006 - 2008	01
219		NS		CAP, CM/SHF BRG (PART OF 204)		2006 - 2008	
220	12578512	00.519		CAMSHAFT, EXH (INCLS 904) (Service Lane Part)	A (LE5)	2006 - 2008	01
221		NS		CAP, CM/SHF BRG (PART OF 204)		2006 - 2008	
251	11519970	08.900		BOLT, HFH,M6X1X40,18 THD, 14.2 OD,8.8 STL, GMW3359 (PART OF 204) (Service Lane Part)		2006 - 2008	20
300	12589732	01.097		FITTING, ENG COOL AIR BL HOSE (PART OF 204) (Service Lane Part)	A (LE5)	2006 - 2008	01
413	12589430	01.758		CAP, OIL FIL (SAE 5W30, VENTED, W/SEAL) (INCLS 900) (ACDelco #FC219) (Service Lane Part)	A (LE5)	2006 - 2008	01
513	12598014	00.423		GASKET KIT, CM/SHF CVR (INCLS 902) (0.529) (FOR USE ON ALUMINUM CAM COVER) (Service Lane Part)	A (LE5)	2006 - 2008	01

							y
515	12587285	00.413		INSULATOR, CM/SHF CVR BOLT (WITH BOLT) (FOR ALUMINUM CAM COVER PERIMETER) (Service Lane Part)	A (LE5)	2006 - 2008	11
707	11589311	08.900		BOLT, HFH, M8X1.25X29, 20 THD, 18 OD, 8.8 STL, GMW3359, M-PT (ENG LIFT FRT BRKT) (Service Lane Part)		2006 - 2008	02
708	12617527	00.004		BRACKET, ENG LIFT FRT (Service Lane Part)	A (LE5)	2006 - 2008	01
709	12580019	00.004		BRACKET, ENG LIFT RR (Service Lane Part)	A (LE5)	2006 - 2008	01
710	11570082	08.900		BOLT, HFH,M8X1.25X22,19 THD,18 OD,10.9,GMW3359 (ENG LIFT FRT BRKT) (ACDelco #11570082) (Service Lane Part)		2006 - 2008	02
717	12625058	02.270		SPARK PLUG, (ACDelco #41-103) (IRIDIUM) (DO NOT CHANGE GAP) (Service Lane Part)	A (LE5)	2006 - 2008	04
718	12655421	00.736		VALVE, CM/SHF POSN ACTR EXH SOL (INCLS 720) (Service Lane Part)	A (LE5)	2007 - 2008	01
719	12655420	00.736		VALVE, CM/SHF POSN ACTR INT SOL (INCLS 720) (MATING CONN 13587320 2-WAY F W/LEADS) (Service Lane Part)	A (LE5)	2006 - 2008	01
720	11588712	08.900		BOLT, HFH,M6X1X20,17.5 THD,14.2 O.D.,8.8, GMW3359 (PART OF 718,719) (Service Lane Part)		2006 - 2008	02
721	12638824	02.170		COIL, IGN (INCLS 724) (ACDelco #D522C) (Service Lane Part)	A (LE5)	2006 - 2008	04

							y
724	11589083	02.183		BOLT, IGN COIL (PART OF 721) (M6X48) (Service Lane Part)	A (LE5)	2006 - 2008	01
725	12577245	02.383		SENSOR, CM/SHF POSN (INCLS 726) (ACDelco #213-1690) (Service Lane Part)	A (LE5)	2007 - 2008	02
726	11588712	08.900		BOLT, HFH,M6X1X20,17.5 THD,14.2 O.D.,8.8, GMW3359 (PART OF 725) (Service Lane Part)		2006 - 2008	02
900	12593348	01.758		SEAL, OIL FIL CAP (O RING) (PART OF 413) (27.94MM INNER DIAM) (SIZE #320) (ACDelco #12593348) (Service Lane Part)	A	2006 - 2008	01
901	12587286	00.413		INSULATOR, CM/SHF CVR BOLT (Service Lane Part)	A (LE5)	2006 - 2008	04
902		NS		SEAL, CM/SHF CVR (PART OF 513)		2006 - 2008	
903		NS		GUIDE, VLV (PART OF 204)		2006 - 2008	
904	12574477	00.736		RING, CM/SHF SPKT OIL SEAL (PART OF 216,220) (ACDelco #12574477) (Service Lane Part)	A (LE5)	2006 - 2008	04
K01	12595960	00.289		GASKET KIT, CYL HD (INCLS 200,208,209,210) (LESS VLV COVER GSKTS) (LESS INT MAN PCV SEAL) (Service Lane Part)	A (LE5)	2006 - 2008	01

C - Chevrolet >2008 >A - 1A1 - Cobalt >00 - 4-CYLINDER ENGINE >(GM00-542) 2007-2008 A ENGINE ASM-2.4L L4 PART 4 OIL PUMP,PAN & RELATED PARTS (LE5/2.4B) >

GM00-542 05/31/2006



kb



Make: Chevrolet

Year: 2008

Model: Cobalt

C - Chevrolet >2008 >A - 1A1 - Cobalt >00 - 4-CYLINDER ENGINE >(GM00-542) 2007-2008 A ENGINE ASM-2.4L L4 PART 4 OIL PUMP,PAN & RELATED PARTS (LE5/2.4B) >

Call	Part #	Group	H	Description	Usage	Year	Qty
100		NS		BLOCK, ENG (SERVICED BY GOODWRENCH ENGINE)		2007 - 2008	
116		NS		RESTRICTOR, ENG BLK OIL GAL (PART OF 204)		2007 - 2008	
204	12624550	00.269		HEAD, CYL (SERV PARTIAL) (INCLS 116) (SEE GROUP 00.000 "CYLINDER HEAD AND RELATED PARTS" FOR DETAILED ILLUSTRATED VIEW) (BARE HD W/VLV SEATS AND GUIDES) (W/O SECD AIR INJ)	A (LE5)	2006 - 2008	01
228	12577163	00.748		NOZZLE, TMG CHAIN OIL (LESS SPRING) (Service Lane Part)	A (LE5)	2006 - 2008	01
229	11588714	08.900		BOLT, HFH,M6X1X30,22.7 THD,14.2 OD,8.8,GMW3359, M- PT. (BAL CHAIN ADJ GDE) (Service Lane Part)		2006 - 2008	01
316	11589253	08.900		BOLT, M8X1.25X105, GM500M 9.8 STEEL, PHOSP ZINC ORG (W/PMP) (Service Lane Part)		2006 - 2008	02
317	90537915	01.073		SEAL, W/PMP ACC HOLE CVR (O RING) (PART OF 420) (1.123) (Service Lane Part)	A (LE5)	2006 - 2008	01
318	90537266	01.073		COVER, W/PMP ACC HOLE (PART OF 420) (Service Lane Part)	A (LE5)	2006 - 2008	01

							y
319	11518061	08.900		BOLT, HFH, M6X1X13, 10 THD, 14.2 OD, GMW25M (8.8) STL,GMW14C-PT (PART OF 420) (Service Lane Part)		2006 - 2008	04
400	12601240	01.426		PAN, OIL (INCLS 402,902-907) (NO GASKET SERVICED, USE RTV SEALANT 12378521) (Service Lane Part)	A (LE5)	2006 - 2008	01
401	22531637	01.428		PIN, OIL PAN LOC (8MM DIA,12MM LONG) (DOWEL) (0.413) (Service Lane Part)	A (LE5)	2006 - 2008	02
402	11562588	01.453		PLUG, OIL PAN DRN (INCLS 905) (PART OF 400) (M12X1.75X25) (W/SEAL) (EXC MAGNET) (Service Lane Part)	A (LE5)	2006 - 2008	01
403	11570082	08.900		BOLT, HFH,M8X1.25X22,19 THD,18 OD,10.9,GMW3359 (OIL PAN) (ACDelco #11570082) (Service Lane Part)		2006 - 2008	14
404	11589253	08.900		BOLT, M8X1.25X105, GM500M 9.8 STEEL, PHOSP ZINC ORG (OIL PAN) (Service Lane Part)		2006 - 2008	01
405	12605566	01.836		FILTER, OIL (FILTER ONLY) (PART OF 407) (ACDelco #PF457G) (Service Lane Part)	A (LE5)	2007 - 2008	01
406	12580255	01.844		SEAL, OIL FLTR CAP (O RING) (PART OF 407) (ACDelco #12580255) (Service Lane Part)	A (LE5)	2006 - 2008	01

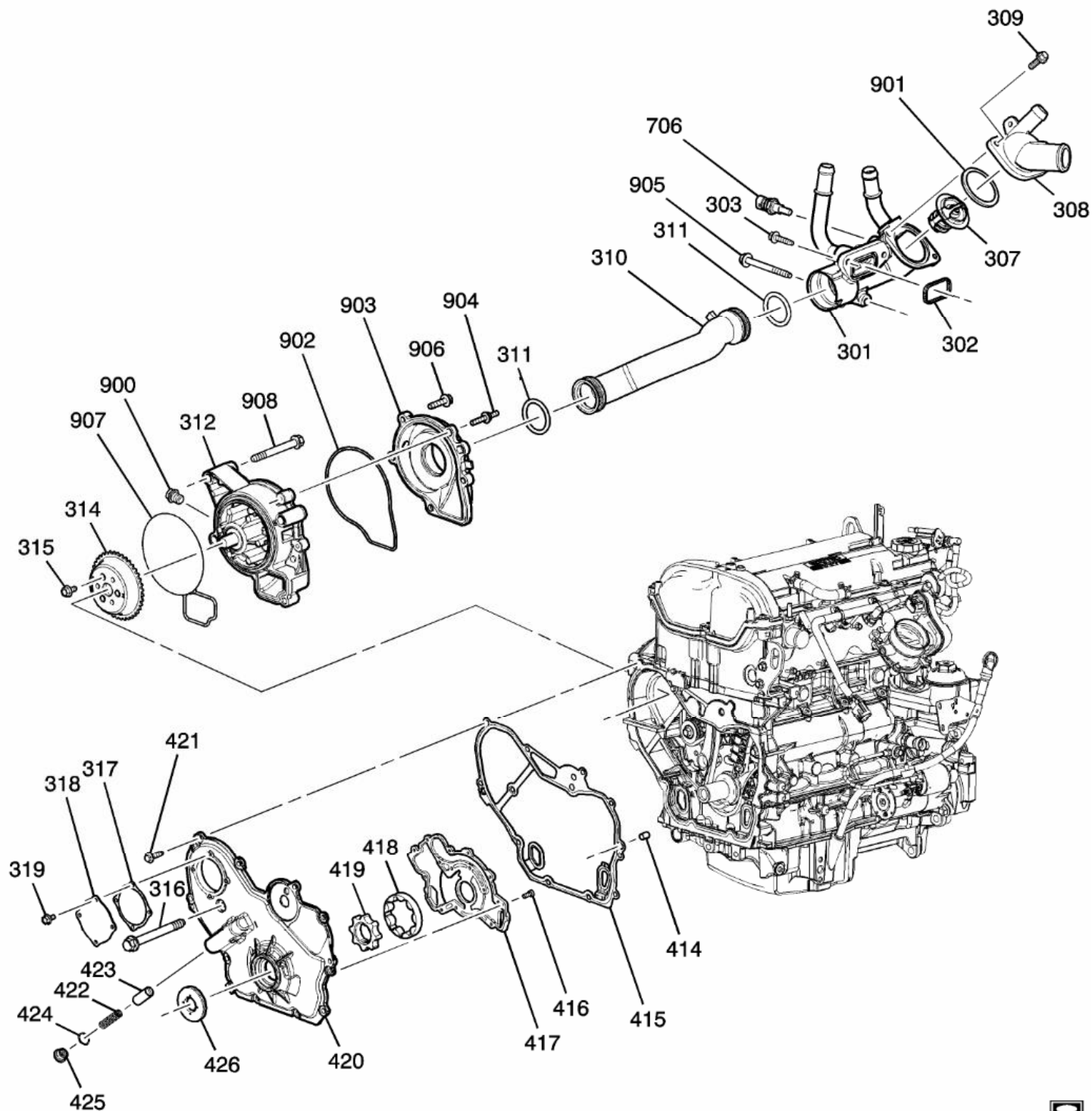
							y
407	12605565	01.836		FILTER, OIL (INCLS FILTER,CAP & CAP SEAL) (INCLS 405,406) (FILTER,CAP AND CAP O-RING) (ACDelco #PF458G) (Service Lane Part)	A (LE5)	2007 - 2008	01
408	12607449	01.516		SEAL, OIL LVL IND TUBE (O RING) (PART OF 409) (Service Lane Part)	A (LE5)	2006 - 2008	02
409	12611013	01.516		TUBE, OIL LVL IND (INCLS 408) (W/BALL STUD & W/BRACKET) (WHEN USED IN 2008 OR PRIOR, MUST ORDER INDICATOR STICK 12607379) (Service Lane Part)	A (LE5)	2006 - 2008	01
410	11516421	08.900		BOLT, HFH,M6X1X10,14.2 O.D.,9.8,7114M (OIL LVL IND TUBE) (Service Lane Part)		2006 - 2008	01
411	90529866	01.516		SEAL, OIL LVL IND (O RING) (PART OF 412) (Service Lane Part)	A (LE5)	2006 - 2008	02
412	24428553	01.516		INDICATOR, OIL LVL (INCLS 411) (Service Lane Part)	A (LE5)	2006 - 2008	01
414	22531637	00.206		PIN, ENG FRT CVR LOC (8MM DIA,12MM LONG) (DOWEL) (0.413) (Service Lane Part)	A (LE5)	2006 - 2008	02
415	24435052	00.207		GASKET, ENG FRT CVR (ACDelco #24435052) (Service Lane Part)	A (LE5)	2006 - 2008	01
416		NS		BOLT, O/PMP FRT CVR (PART OF 420)		2007 - 2008	
417		NS		HOUSING, O/PMP INTER (PART OF 420)		2007 - 2008	
418		NS		GEAR, O/PMP (PART OF 420)		2007 - 2008	
419		NS		GEAR, O/PMP DRVN (PART OF 420)		2007 - 2008	

							y
420	12637040	00.206		COVER, ENG FRT (W/OIL PMP) (INCLS 317-319,416-419,422- 426) (Service Lane Part)	A (LE5)	2006 - 2008	01
421	11589236	08.900		BOLT, HFH, M8X1.25X30.7, 20.7 THD, 17 OD, 8.8 STL, GMW3359 (ENG FRT CVR) (Service Lane Part)		2006 - 2008	10
422		NS		SPRING, OIL PRESS RLF VLV (PART OF 420)		2007 - 2008	
423		NS		VALVE, OIL PRESS RLF (PART OF 420)		2007 - 2008	
424	11093042	01.609		SEAL, OIL PRESS RLF VLV SPR SEAT (O RING) (PART OF 420) (1.655) (Service Lane Part)	A (LE5)	2006 - 2008	01
425		NS		SEAT, OIL PRESS RLF VLV SPR (PART OF 420)		2007 - 2008	
426	12584041	00.213		SEAL, CR/SHF FRT OIL (PART OF 420) (ACDelco #296-16) (Service Lane Part)	A (LE5)	2006 - 2008	01
700	12635992	01.800		SWITCH, ENG OIL PRESS (USE T/W MATING CONN 12085500 1 WAY FEMALE W/LEADS) (ACDelco #D1849A) (Service Lane Part)	A	2006 - 2008	01
902	11519133	08.900		BOLT, SELF TAP,M6X1X20,13.2 O.D. (PART OF 400) (Service Lane Part)		2006 - 2008	05
903	12578196	01.430		BAFFLE, OIL PAN (PART OF 400) (Service Lane Part)	A (LE5)	2006 - 2008	01
904		NS		PIPE, O/PMP SUC (PART OF 400)		2007 - 2008	
905	12616850	01.456		SEAL, OIL PAN DRN PLUG (O RING) (PART OF 400,402) (DIA 19.39) (Service Lane Part)	A (LE5,M86,MN5)	2007 - 2008	01

						y
906		NS		BOLT, O/PMP SUC PIPE (PART OF 400)		2007 - 2008
907		NS		PLUG, OIL PAN HOLE (PART OF 400)		2007 - 2008

C - Chevrolet >2008 >A - 1A1 - Cobalt >00 - 4-CYLINDER ENGINE >(GM00-566) 2008 A ENGINE ASM-2.4L L4 PART 3 FRONT COVER & COOLING (LE5/2.4B) >

GM00-566 01/25/2008



rb



Make: Chevrolet

Year: 2008

Model: Cobalt

C - Chevrolet >2008 >A - 1A1 - Cobalt >00 - 4-CYLINDER ENGINE >(GM00-566) 2008 A ENGINE ASM-2.4L L4 PART 3 FRONT COVER & COOLING (LE5/2.4B) >

Call	Part #	Group	H	Description	Usage	Year	Qty
301	12597172	01.251		HOUSING, ENG COOL THERM (Service Lane Part)	A (LE5)	2008 - 2008	01
302	90537471	01.252		SEAL, WAT INL (ROUND WILL CHANGE TO OBLONG SHAPE WHEN ASSEMBLED) (ACDelco #90537471) (Service Lane Part)	A (LE5)	2008 - 2008	01
303	11900244	08.900		BOLT, HFH,M6X1X28,20 THD,14.2 O.D.,8.8,GMW3359 (ENG COOL THERM HSG) (Service Lane Part)		2008 - 2008	02
307	12622410	01.246		THERMOSTAT, ENG COOL (INCLS 901) (ACDelco #131-158) (Service Lane Part)	A (LE5)	2008 - 2008	01
308	12607291	01.073		INLET, WAT (W/SURGE PORT) (Service Lane Part)	A (LE5)	2008 - 2008	01
309	11588712	08.900		BOLT, HFH,M6X1X20,17.5 THD,14.2 O.D.,8.8, GMW3359 (ENG COOL THERM HSG) (Service Lane Part)		2008 - 2008	02
310	90537356	01.173		PIPE, RAD OTLT (Service Lane Part)	A (LE5)	2008 - 2008	01
311	90537379	01.173		SEAL, RAD OTLT PIPE (O RING) (Service Lane Part)	A (LE5)	2008 - 2008	02
312		01.069		PUMP KIT, WAT (INCLS 314,315,900,902-904,906,907)		2008 - 2008	
314	90537298	01.109		SPROCKET, W/PMP (PART OF 312) (Service Lane Part)	A (LE5)	2008 - 2008	01

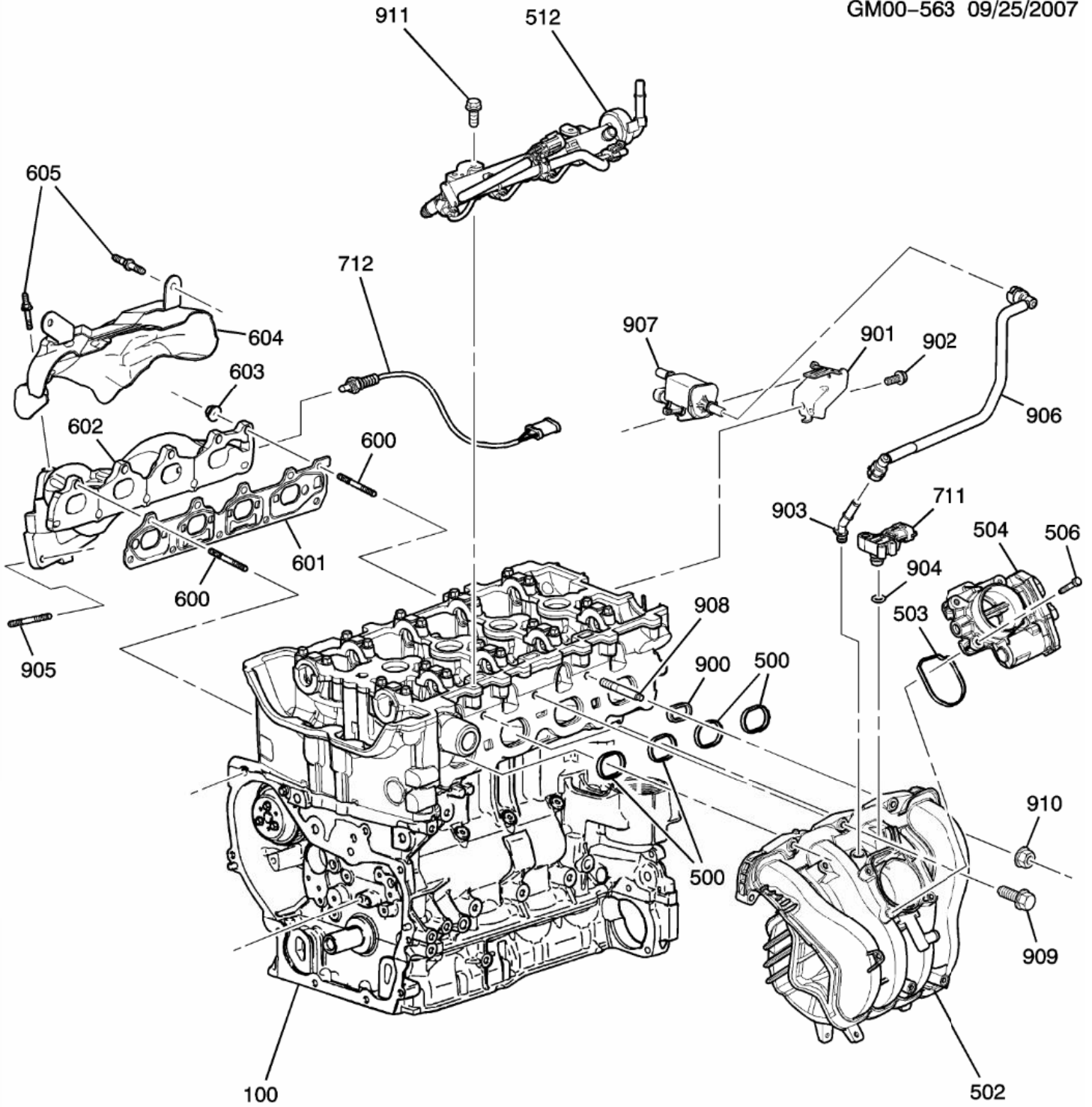
							y
315	11518061	08.900		BOLT, HFH, M6X1X13, 10 THD, 14.2 OD, GMW25M (8.8) STL,GMW14C-PT (PART OF 312) (Service Lane Part)		2008 - 2008	03
316	11588735	08.900		BOLT, HFH,M8X1.25X100,22 THD,18 OD,8.8 STL,GMW3359,M-PT (W/PMP) (Service Lane Part)		2008 - 2008	02
317	90537915	01.073		SEAL, W/PMP ACC HOLE CVR (O RING) (PART OF 420) (1.123) (Service Lane Part)	A (LE5)	2008 - 2008	01
318	90537266	01.073		COVER, W/PMP ACC HOLE (PART OF 420) (Service Lane Part)	A (LE5)	2008 - 2008	01
319	11518061	08.900		BOLT, HFH, M6X1X13, 10 THD, 14.2 OD, GMW25M (8.8) STL,GMW14C-PT (PART OF 420) (Service Lane Part)		2008 - 2008	04
414	22531637	00.206		PIN, ENG FRT CVR LOC (8MM DIA,12MM LONG) (DOWEL) (0.413) (Service Lane Part)	A (LE5)	2008 - 2008	02
415	24435052	00.207		GASKET, ENG FRT CVR (ACDelco #24435052) (Service Lane Part)	A (LE5)	2008 - 2008	01
416		NS		BOLT, O/PMP CVR (PART OF 420)		2008 - 2008	
417		NS		COVER, O/PMP (PART OF 420)		2008 - 2008	
418		NS		GEAR, O/PMP DRVN (PART OF 420)		2008 - 2008	
419		NS		GEAR, O/PMP (PART OF 420)		2008 - 2008	
420	12637040	00.206		COVER, ENG FRT (W/OIL PMP) (INCLS 317-319,416-419,422- 426) (Service Lane Part)	A (LE5)	2008 - 2008	01

							y
421	11589236	08.900		BOLT, HFH, M8X1.25X30.7, 20.7 THD, 17 OD, 8.8 STL, GMW3359 (ENG FRT CVR) (Service Lane Part)		2008 - 2008	10
422		NS		SPRING, OIL PRESS RLF VLV (PART OF 420)		2008 - 2008	
423		NS		VALVE, OIL PRESS RLF (PART OF 420)		2008 - 2008	
424	11093042	01.609		SEAL, OIL PRESS RLF VLV SPR SEAT (O RING) (PART OF 420) (1.655) (Service Lane Part)	A (LE5)	2008 - 2008	01
425		NS		SEAT, OIL PRESS RLF VLV SPR (PART OF 420)		2008 - 2008	
426	12584041	00.213		SEAL, CR/SHF FRT OIL (PART OF 420) (ACDelco #296-16) (Service Lane Part)	A (LE5)	2008 - 2008	01
706	12608814	01.150		SENSOR, ENG COOL TEMP (MATING CONN W/LEADS USE 88987993) (ACDelco #213-4333) (Service Lane Part)	A (LE5,L61)	2008 - 2008	01
706	12608814	03.682		SENSOR, ENG COOL TEMP (MATING CONN W/LEADS USE 88987993) (1.150) (ACDelco #213-4333) (Service Lane Part)	A (LE5,L61)	2008 - 2008	01
901	03522676	01.252		SEAL, ENG COOL THERM (O RING) (PART OF 307) (SQUARE CUT) (ACDelco #3522676) (Service Lane Part)	A (LE5)	2008 - 2008	01
902	24446365	01.123		SEAL, W/PMP CVR (O RING) (PART OF 312) (Service Lane Part)	A (LE5)	2008 - 2008	01
903		NS		COVER, W/PMP (PART OF 312)		2008 - 2008	

						y	
904	11609473	08.981		STUD, HFH,6X1X25,6X1X16,1 4.2 OD,47.6 TL,9.8,6280M,HDR-PTS (PART OF 312) (Service Lane Part)		2008 - 2008	01
905	11588719	08.900		BOLT, HFH,M6X1X60,18MM THD,14.2 O.D.,8.8,3359GMW (ENG COOL THERM HSG) (Service Lane Part)		2008 - 2008	01
906	11516424	08.900		BOLT, HFH,M6X1X25,14.2 O.D.,HDR PT,9.8,ZE (PART OF 312) (Service Lane Part)		2008 - 2008	04
907	24439799	01.079		GASKET, W/PMP (PART OF 312) (ACDelco #251-2053) (Service Lane Part)	A (LE5)	2008 - 2008	01
908	11900262	08.900		BOLT, HFH,M8X1.25X69.15,19 THD,18 OD, 8.8 STL, GMW3359,REDUCED BODY (W/PMP) (Service Lane Part)		2008 - 2008	02

C - Chevrolet >2008 >A - 1A1 - Cobalt >00 - 4-CYLINDER ENGINE >(GM00-563) 2008 A ENGINE ASM-2.4L L4 PART 5 MANIFOLDS & FUEL RELATED PARTS (LE5/2.4B) >

GM00-563 09/25/2007



Make: Chevrolet

Year: 2008

Model: Cobalt

C - Chevrolet >2008 >A - 1A1 - Cobalt >00 - 4-CYLINDER ENGINE >(GM00-563) 2008 A ENGINE ASM-2.4L L4 PART 5 MANIFOLDS & FUEL RELATED PARTS (LE5/2.4B) >

Call	Part #	Group	H	Description	Usage	Year	Qty
100		NS		BLOCK, ENG		2008 - 2008	
500	24455112	03.270		GASKET, INT MANIF (ROUND SHAPE) (ACDelco #24455112) (Service Lane Part)	A (LE5)	2008 - 2008	04
502	12597953	03.265		MANIFOLD, INT (INCLS 903) (Service Lane Part)	A (LE5)	2008 - 2008	01
503	12580395	03.336		SEAL, THROT BODY (ACDelco #12580395) (Service Lane Part)	A (LE5)	2008 - 2008	01
504	12631186	03.335		BODY, THROT (W/THROT ACTR) (INCLS 506) (ACDelco #217-3428) (Service Lane Part)	A (LE5)	2008 - 2008	01
506	11519970	08.900		BOLT, HFH,M6X1X40,18 THD, 14.2 OD,8.8 STL, GMW3359 (PART OF 504) (Service Lane Part)		2008 - 2008	04
512		03.300		INJECTOR, M/PORT FUEL (W/FUEL RL) (SEE GROUP 03.000 "FUEL INJECTOR RAIL" FOR DETAILED ILLUSTRATED VIEW)		2008 - 2008	
600	11589054	08.981		STUD, STRAIGHT, M8X1.25X20, M8X1.25X16,W/ADH GM6175M,10.9,GM7111 M,HDR (TO CYL HD) (Service Lane Part)		2008 - 2008	10
601	12589453	03.270		GASKET, EXH MANIF (W/CUT OUT) (W/O SECONDARY AIR INJECTION) (ACDelco #12589453) (Service Lane Part)	A (LE5)	2008 - 2008	01
601	12622668	03.270		GASKET, EXH MANIF (WITH SECONDARY AIR INJECTION)	A (LE5)	2008 - 2008	01

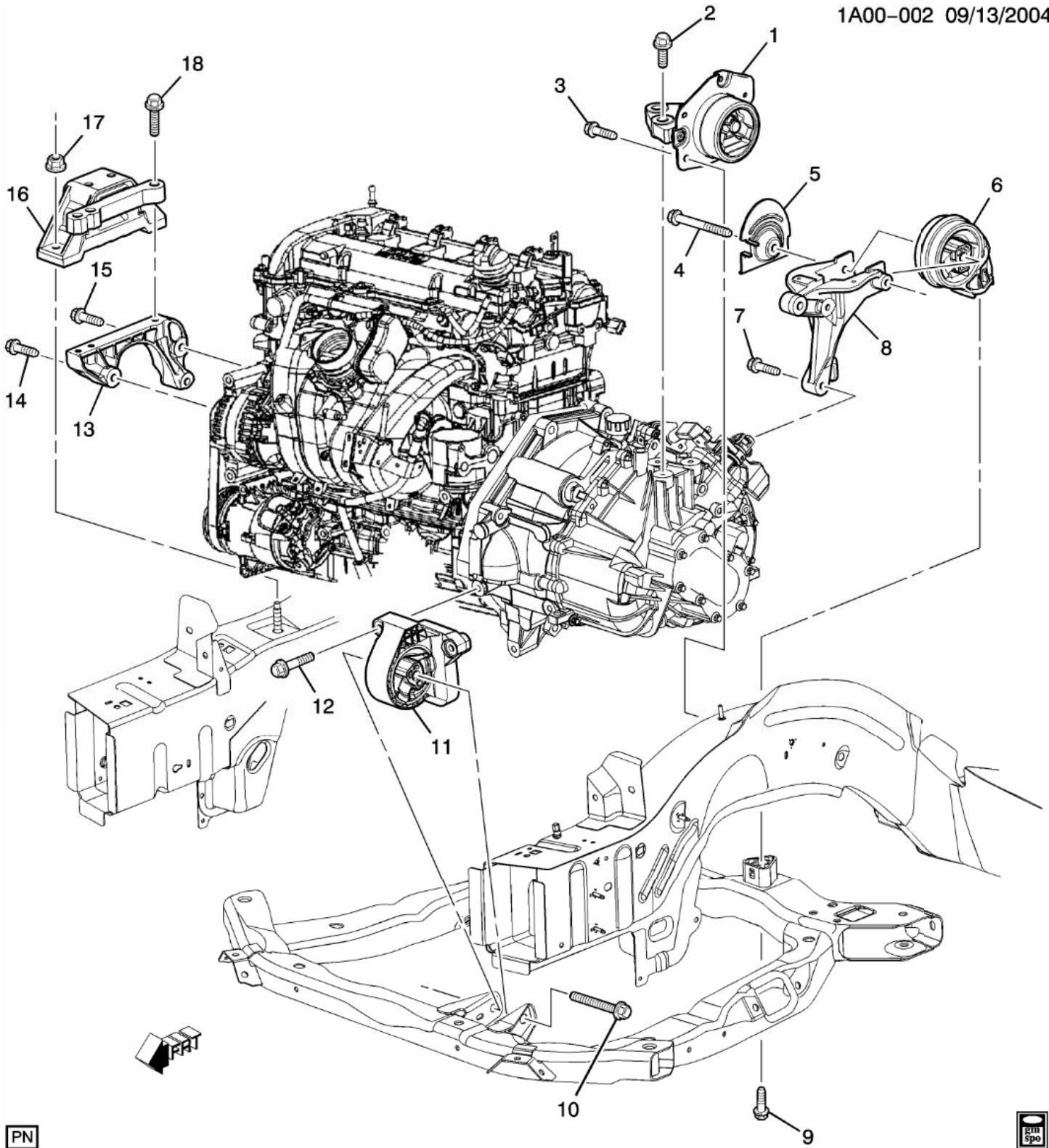
							y
602	12581284	03.601		MANIFOLD, EXH (SOLID CASTING BETWEEN EXHAUST PORTS) (FOR 2ND DES SEE 12603792) (Service Lane Part)	A (LE5) (1ST DES)	2008 - 2008	01
602	12603792	03.601		MANIFOLD, EXH (CASTING CUT OUT BETWEEN EXHAUST PORTS) (FOR 1ST DES SEE 12581284) (Service Lane Part)	A (LE5) (2ND DES)	2008 - 2008	01
603	11609746	08.917		NUT, HFH,M8X1.25,8.9THK,1 7.6 O.D.,10 STL,GMW3200, PREV TORQUE (EXH MANIF) (Service Lane Part)		2008 - 2008	10
604	12587497	03.602		SHIELD, EXH MANIF UPR HT	A (LE5)	2008 - 2008	01
605	11514339	DISCON		BOLT, W/CON WA,M6X1X13,FULL THD,9.8,POR (EXH MANIF H/SHLD)		2008 - 2008	03
711	12614970	03.682		SENSOR, MAP (W/SEAL) (INCLS 904) (USE T/W 3-WAY F W/LEADS CONN 88987997) (ACDelco #12614970) (Service Lane Part)	A (LE5)	2008 - 2008	01
711	55573248	03.682		SENSOR, MAP (INCLS 904) (MATES W/CONN 13585850 W/LEADS) (ACDelco #213-4681) (Service Lane Part)	A (LE5,MN5)	2008 - 2008	01
712	12580827	03.682		SENSOR, HTD OXY (POSN 1) (IN EXH MANIFOLD/CROSSOV ER) (NOTE:START SENSOR THREADING BY HAND*IF DROPPED REPLACE*CANNOT COME IN CONTACT WITH ANY SILICONE PRODUCTS) (ACDelco #213-1693) (Service Lane Part)	A (LE5)	2008 - 2008	01

							y
900	12575851	01.745		SEAL, C/CASE VENT PASG (Service Lane Part)	A (LE5)	2008 - 2008	01
901	12579283	03.130		BRACKET, EVAP EMIS CNSTR PURGE SOL VLV (USE T/W 12597567 VALVE) (ACDelco #12579283) (Service Lane Part)	A (LE5,L61)	2008 - 2008	01
902	11588723	08.900		BOLT, HFH, M8X1.25X25, 18 THD, 18 OD, 8.8 STL, GMW3359, M-PT (EVAP EMIS CNSTR PURGE SOL VLV) (Service Lane Part)	A	2008 - 2008	01
903		NS		CONNECTOR, EVAP EMIS CNSTR PURGE PIPE (PART OF 502)		2008 - 2008	
904		NS		SEAL, MAP SEN (PART OF 711)		2008 - 2008	
905	10160364	03.613		STUD, EXH MANIF PIPE (STUD-STRAIGHT,10X1.5X9.5, 10X1.5X26.5 W/7 LG E8 TORX DR,46 OVERALL LENGTH,10.9,PC) (10X1.5X9.5,10X1.5X26.5)	A (LE5,L61)	2008 - 2008	03
906	12586630	03.145		TUBE, EVAP EMIS CNSTR PURGE (Service Lane Part)	A (LE5,L61)	2008 - 2008	01
907	12597567	03.130		VALVE, EVAP EMIS CNSTR PURGE SOL (VALVE ONLY) (USE T/W 12579283 BRKT) (ACDelco #214-1680) (Service Lane Part)	A (LE5,L61)	2008 - 2008	01
908	90537426	03.275		STUD, INT MANIF (INT MANIF TO CYL HD) (Service Lane Part)	A (LE5)	2008 - 2008	02
909	11589303	08.900		BOLT, HFH,M6X1X38, 30 THD, 14.2 OD, 8.8 STL, GMW3359,M-PT (INT MANIF) (Service Lane Part)		2008 - 2008	08

						y	
910	03530297	08.917		NUT, HFH,M6X1,5.85THK,14. 2 O.D.,10,ZOR (NUT,INT MANIF->TO CYL HEAD) (Service Lane Part)		2008 - 2008	02
911	11562426	08.900		BOLT, HFH,M6X1X25,18 THD,14.2 OD, 10.9 STL GMW3359 (F/INJN FUEL RL) (Service Lane Part)		2008 - 2008	02

C - Chevrolet >2008 >A - 1A1 - Cobalt >00 - 4-CYLINDER ENGINE >(1A00-002) 2006-2008 A ENGINE & TRANSMISSION MOUNTING-L4 (L61/2.2F,LE5/2.4B, MANUAL M86) >

1A00-002 09/13/2004



PN



Make: Chevrolet

Year: 2008

Model: Cobalt

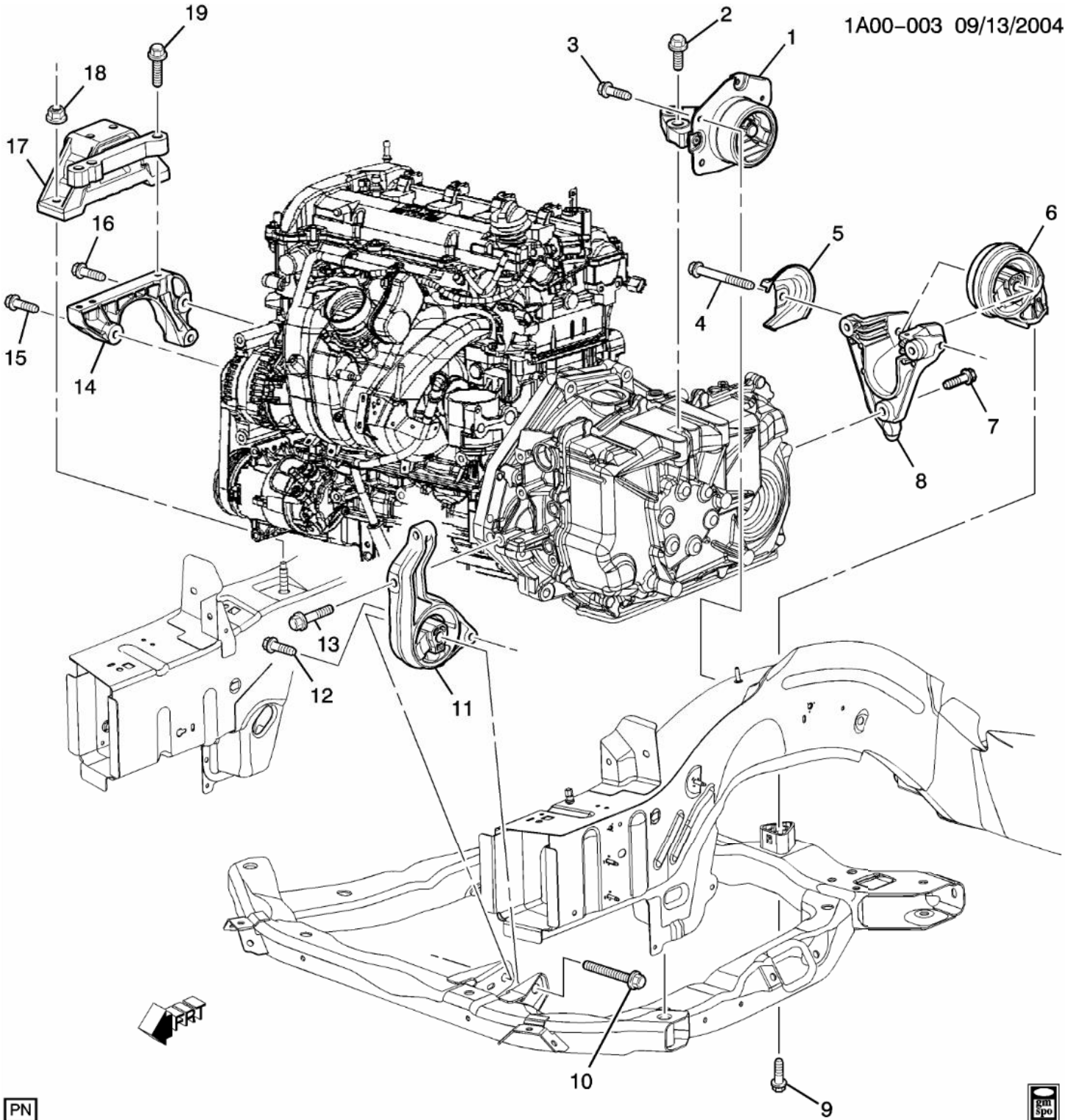
C - Chevrolet >2008 >A - 1A1 - Cobalt >00 - 4-CYLINDER ENGINE >(1A00-002) 2006-2008 A ENGINE & TRANSMISSION MOUNTING-L4 (L61/2.2F,LE5/2.4B, MANUAL M86) >

Call	Part #	Group	H	Description	Usage	Year	Qty
1	15835312	04.081		MOUNT, TRANS (YELLOW/ORANGE) (Service Lane Part)	A (M86)	2005 - 2010	01
2	11570514	00.002		BOLT, TRANS MT TRANS SI BRKT (Service Lane Part)		2005 - 2010	03
3	11519208	08.900		BOLT, WASHER,M8X1.25X50, 36 THD,24 OD,10.9,7114M,9MM DOG PT. (TRANS MT BR) (Service Lane Part)		2005 - 2010	04
4	11519207	04.085		BOLT, TRANS RR MT (Service Lane Part)	A	2005 - 2010	01
4	11519207	04.085		BOLT, TRANS RR MT (Service Lane Part)	A	2005 - 2010	01
5	15926212	04.081		SHIELD, TRANS RR MT HT (Service Lane Part)	A (M86,MU3)	2005 - 2008	01
6	25973869	04.081		MOUNT, TRANS RR (Service Lane Part)	A (M86)	2005 - 2010	01
7	11570514	00.002		BOLT, TRANS RR MT BRKT (Service Lane Part)		2005 - 2010	03
8	22729625	04.083		BRACKET, TRANS RR MT (Service Lane Part)	A (M86)	2005 - 2010	01
9	11589033	04.083		BOLT, TRANS RR MT BRKT (TO CRADLE) (Service Lane Part)	A	2005 - 2010	03
9	11589033	04.083		BOLT, TRANS RR MT BRKT (TO CRADLE) (Service Lane Part)	A	2005 - 2010	03
10	11519898	04.085		BOLT, TRANS FRT MT (THROUGH BOLT) (Service Lane Part)	A	2005 - 2010	01
10	11519898	04.085		BOLT, TRANS FRT MT (THROUGH BOLT) (Service Lane Part)	A	2005 - 2010	01
11	25973862	04.081		MOUNT, TRANS FRT (Service Lane Part)	A (M86)	2005 - 2010	01

							y
12	11515771	08.900		BOLT, HFH,REDUCED BODY,M10X1.5X55,30T HD,22.3 O.D.,10.9,7114 (TRANS FRT MT BRKT) (Service Lane Part)		2005 - 2010	03
13	15854396	00.029		ADAPTER, ENG MT BRKT (Service Lane Part)	A	2005 - 2010	01
14	11514280	08.900		BOLT, HFH,M12X1.75X65,30 THD,10.9,POR (ENG MT ADAP) (Service Lane Part)		2005 - 2010	02
15	11516330	08.900		BOLT, HFH,M12X1.75X40,33.85 THD,26.6 OD,10.9,7114M,MACH, HDR-PT (ENG MT ADAP) (Service Lane Part)		2005 - 2010	01
16	25974058	00.027		MOUNT, ENG (YELLOW) (ACDelco #25974058) (MUST BE USED T/W 15854396 BRACKET) (Service Lane Part)	A (M86)	2006 - 2010	01
17	03537772	08.900		NUT, M12X1.75,10.6THK,28 O.D.,10,7111M (ENG MT BRKT BR) (8.917) (Service Lane Part)		2005 - 2010	02
18	11570514	00.002		BOLT, ENG MT BRKT (Service Lane Part)		2005 - 2010	03

C - Chevrolet >2008 >A - 1A1 - Cobalt >00 - 4-CYLINDER ENGINE >(1A00-003) 2006-2008 A ENGINE & TRANSMISSION MOUNTING-L4 (L61/2.2F,LE5/2.4B, AUTOMATIC MN5) >

1A00-003 09/13/2004



PN



Make: Chevrolet

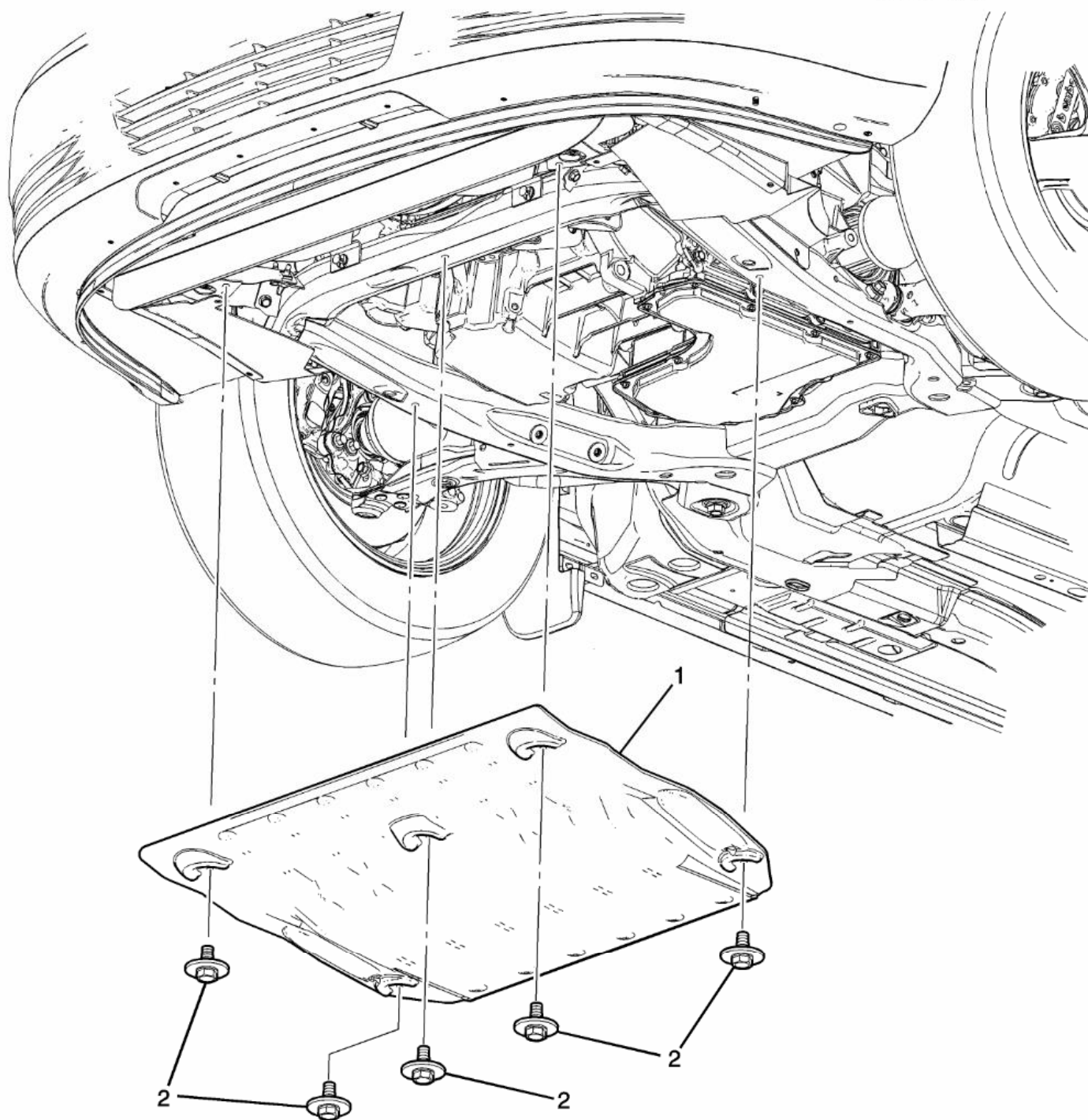
Year: 2008

Model: Cobalt

C - Chevrolet >2008 >A - 1A1 - Cobalt >00 - 4-CYLINDER ENGINE >(1A00-003) 2006-2008 A ENGINE & TRANSMISSION MOUNTING-L4 (L61/2.2F,LE5/2.4B, AUTOMATIC MN5) >

Call	Part #	Group	H	Description	Usage	Year	Qty
1	15835313	04.081		MOUNT, TRANS (PURPLE) (Service Lane Part)	A (MN5)	2007 - 2010	01
2	11570514	00.002		BOLT, TRANS MT TRANS SI BRKT (Service Lane Part)		2005 - 2010	03
3	11519208	08.900		BOLT, WASHER,M8X1.25X50, 36 THD,24 OD,10.9,7114M,9MM DOG PT. (TRANS MT BR) (Service Lane Part)		2005 - 2010	04
4	11519207	04.085		BOLT, TRANS RR MT (Service Lane Part)	A	2005 - 2010	01
4	11519207	04.085		BOLT, TRANS RR MT (Service Lane Part)	A	2005 - 2010	01
5	22710007	04.081		SHIELD, TRANS RR MT HT (Service Lane Part)	A (MN5)	2005 - 2010	01
6	25973870	04.081		MOUNT, TRANS RR (PURPLE) (Service Lane Part)	A (MN5)	2005 - 2010	01
7	11515778	08.900		BOLT, HFH,M12X1.75X45,40 THD,26.6 OD,10.9,7114M,P- POINT. (TRANS RR MT BRKT) (Service Lane Part)		2005 - 2010	03
8	15213494	04.083		BRACKET, TRANS RR MT (Service Lane Part)	A (MN5)	2005 - 2010	01
9	11589033	04.083		BOLT, TRANS RR MT BRKT (TO CRADLE) (Service Lane Part)	A	2005 - 2010	03
9	11589033	04.083		BOLT, TRANS RR MT BRKT (TO CRADLE) (Service Lane Part)	A	2005 - 2010	03
10	11519898	04.085		BOLT, TRANS FRT MT (THROUGH BOLT) (Service Lane Part)	A	2005 - 2010	01
10	11519898	04.085		BOLT, TRANS FRT MT (THROUGH BOLT) (Service Lane Part)	A	2005 - 2010	01

							y
11	25973863	04.081		MOUNT, TRANS FRT (Service Lane Part)	A (MN5)	2005 - 2010	01
12	11589279	08.900		BOLT, HFH,M12X1.75X85.9,45 THD,26.6 OD,10.9,GMW3359,MA CH,M-PT (TRANS FRT MT BRKT) (Service Lane Part)		2005 - 2010	01
13	11515780	08.900		BOLT, HFH,M12X1.75X55,35T HD,26.6 O.D.,MACH,10.9,7114M (TRANS FRT MT BRKT) (Service Lane Part)		2005 - 2010	02
14	15854396	00.029		ADAPTER, ENG MT BRKT (Service Lane Part)	A	2006 - 2010	01
15	11514280	08.900		BOLT, HFH,M12X1.75X65,30 THD,10.9,POR (ENG MT ADAP) (Service Lane Part)		2005 - 2010	02
16	11516330	08.900		BOLT, HFH,M12X1.75X40,33.8 5 THD,26.6 OD,10.9,7114M,MACH, HDR-PT (ENG MT ADAP) (Service Lane Part)		2005 - 2010	01
17	25974059	00.027		MOUNT, ENG (PURPLE) (USE T/W BRKT 15854396) (ACDelco #25974059) (Service Lane Part)	A (MN5)	2005 - 2010	01
18	03537772	08.900		NUT, M12X1.75,10.6THK,28 O.D.,10,7111M (ENG MT BRKT BR) (8.917) (Service Lane Part)		2005 - 2010	02
19	11570514	00.002		BOLT, ENG MT BRKT (Service Lane Part)		2005 - 2010	03



Make: Chevrolet

Year: 2008

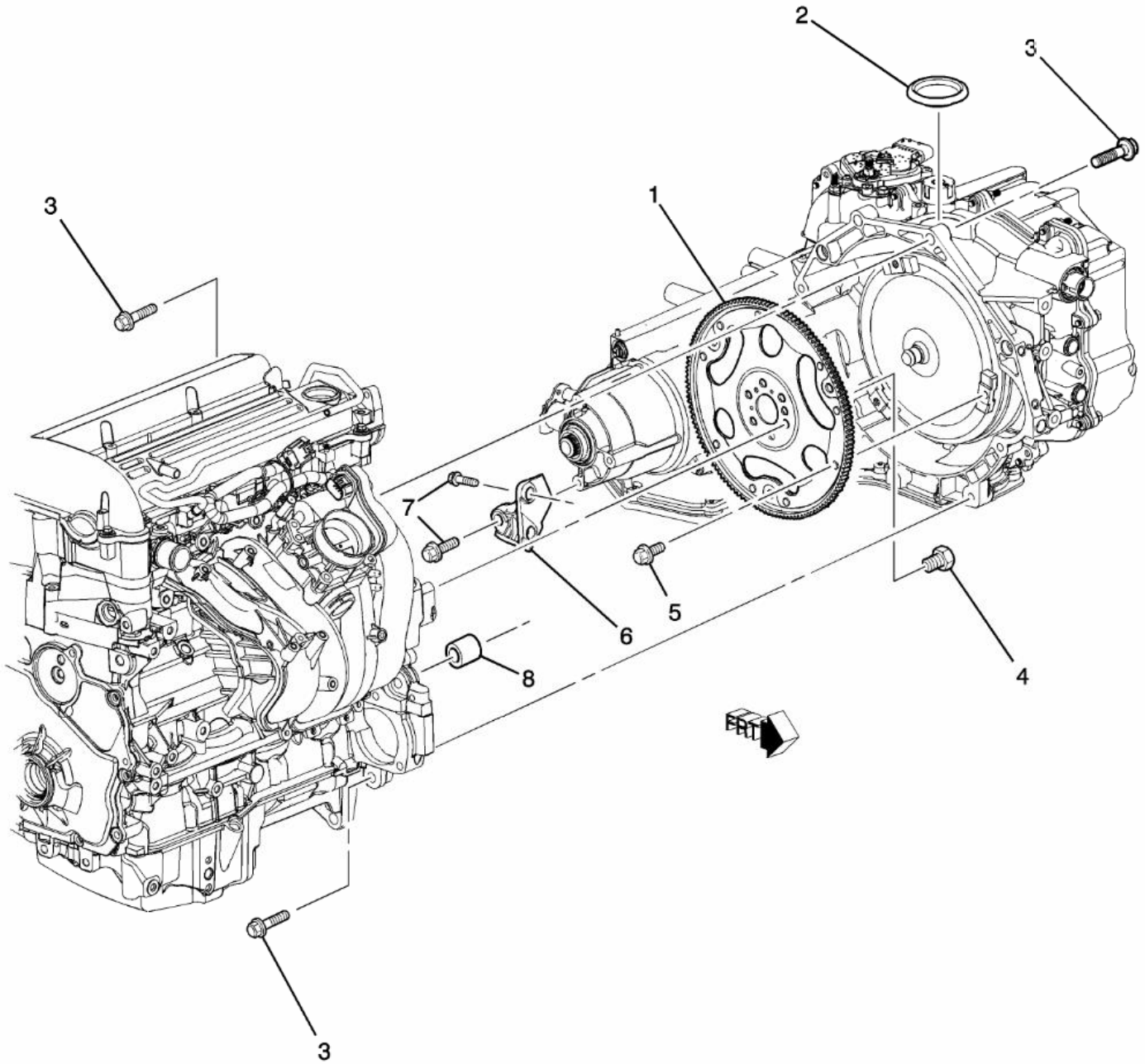
Model: Cobalt

C - Chevrolet >2008 >A - 1A1 - Cobalt >00 - 4-CYLINDER ENGINE >(MA00-007) 2008 A SHIELD/ENGINE SPLASH >

Call	Part #	Group	H	Description	Usage	Year	Qty
1	25929131	00.206		SHIELD, ENG (INCLS 2) (INCLS BOLT/SCREW) (Service Lane Part)	A	2008 - 2008	01
2	11517560	08.977		SCREW, FLAT WA (NRW) AND HX WA HD, M8X1.25X25 (PART OF 1) (Service Lane Part)		2008 - 2010	05

C - Chevrolet >2008 >A - 1A1 - Cobalt >00 - 4-CYLINDER ENGINE >(GM00-035) 2006-2008 A ENGINE TO TRANSMISSION MOUNTING (L61/2.2D,LE5/2.4B, MN5) >

GM00-035 05/17/2006



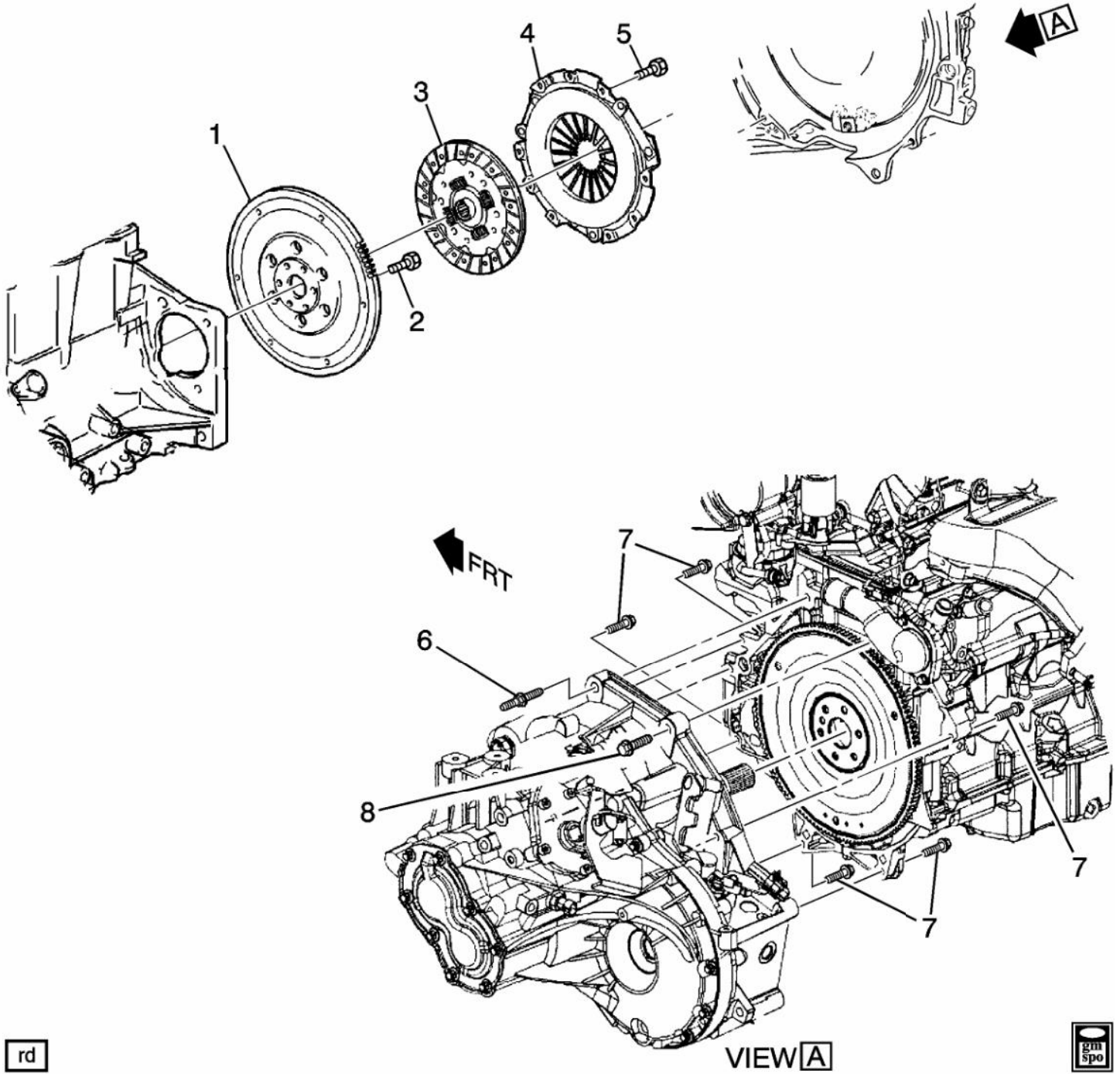
Make: Chevrolet

Year: 2008

Model: Cobalt

C - Chevrolet >2008 >A - 1A1 - Cobalt >00 - 4-CYLINDER ENGINE >(GM00-035) 2006-2008 A ENGINE TO TRANSMISSION MOUNTING
(L61/2.2D,LE5/2.4B, MN5) >

Call	Part #	Group	H	Description	Usage	Year	Qty
1	12647333	00.666		PLATE, A/TRNS FLEX (Service Lane Part)	A (LE5,MN5)	2006 - 2008	01
1	12647333	00.666		PLATE, A/TRNS FLEX (Service Lane Part)	A (L61,MN5)	2006 - 2008	01
2	24216910	04.104		COVER, T/CV HSG ACC HOLE (4.105) (Service Lane Part)	A (MN5)	2006 - 2010	01
3	11516331	08.900		BOLT, METRIC HVY HFH (M12X1.75X50) (PZOR) (TRANSAXLE) (Service Lane Part)		2006 - 2010	08
4	90236536	00.669		BOLT, A/TRNS FLEX PLT (M10X1.25X18) (Service Lane Part)	A (L61,MN5)	2006 - 2008	06
4	90236536	00.669		BOLT, A/TRNS FLEX PLT (M10X1.25X18) (Service Lane Part)	A (LE5,MN5)	2006 - 2008	06
5	11588468	04.115		BOLT, TRANSAXLE T/CV (M10X1.5X15) (Service Lane Part)	A (LE5,L61,MN5)	2006 - 2008	03
6	24450984	04.081		BRACE, TRANSAXLE (Service Lane Part)	A (L61,LE5,MN5)	2008 - 2008	01
7	11515767	08.900		BOLT, HFH,M10X1.5X35,32TH D,22.3 O.D.,MACH,10.9,7114M (TRANS BR BRKT) (T/W 12345493) (Service Lane Part)		2006 - 2010	04
8	90351708	00.685		PIN, TRANS LOC (18.5MM OD X12MM LONG) (0.219) (Service Lane Part)	A	2006 - 2010	02



rd

VIEW A



Make: Chevrolet

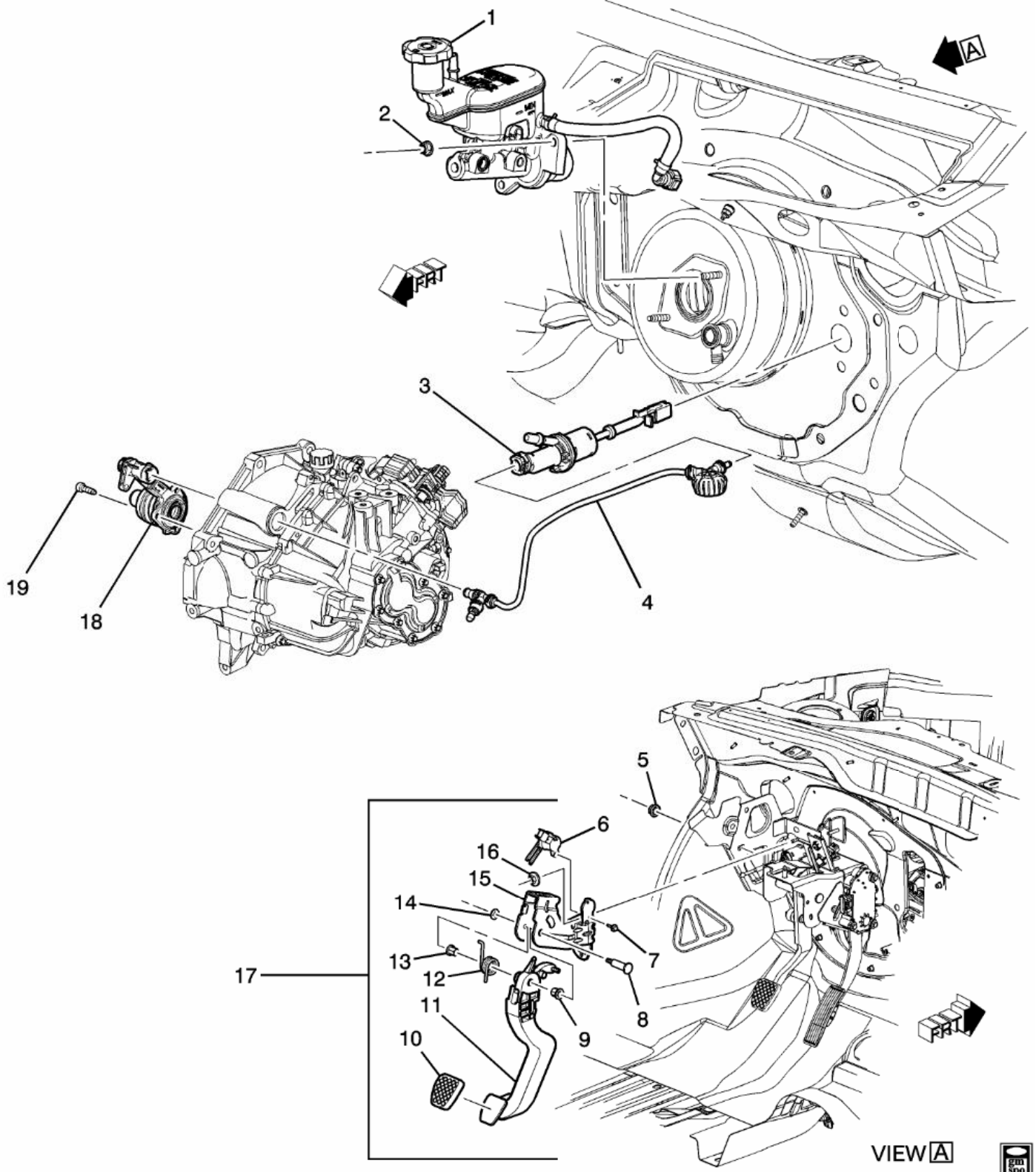
Year: 2008

Model: Cobalt

C - Chevrolet >2008 >A - 1A1 - Cobalt >00 - 4-CYLINDER ENGINE >(MN00-046) 2006-2008 A CLUTCH (L61/2.2F,LE5/2.4B, M86) >

Call	Part #	Group	H	Description	Usage	Year	Qty
1	90537283	00.666		FLYWHEEL, ENG (Service Lane Part)	A (LE5,M86)	2006 - 2008	01
1	90537283	00.666		FLYWHEEL, ENG (Service Lane Part)	A (L61,M86)	2005 - 2008	01
2	11570626	00.669		BOLT, FLYWHL (M10X1.25X23.5) (Service Lane Part)	A (L61,M86)	2005 - 2008	06
2	11570626	00.669		BOLT, FLYWHL (M10X1.25X23.5) (Service Lane Part)	A (LE5,M86)	2006 - 2008	06
3	12582699	00.886		PLATE, CLU DRVN (Service Lane Part)	A (LE5,M86)	2006 - 2008	01
3	12582699	00.886		PLATE, CLU DRVN (Service Lane Part)	A (L61,M86)	2005 - 2008	01
4	12582698	00.859		PLATE, CLU PRESS (W/CVR) (W/DRIVEN PLATE) (Service Lane Part)	A (LE5,M86)	2006 - 2008	01
4	12582698	00.859		PLATE, CLU PRESS (W/CVR) (W/DRIVEN PLATE) (Service Lane Part)	A (L61,M86)	2005 - 2008	01
5	11519056	00.862		BOLT, CLU PRESS PLT (M7X1.0X27.75) (Service Lane Part)	A (LE5,L61,M86)	2006 - 2008	06
6	11561232	04.085		STUD, TRANSAXLE (M10X1.5X20,M12X1.75 X55) (Service Lane Part)	A (M86)	2006 - 2010	01
7	11516331	08.900		BOLT, METRIC HVY HFH (M12X1.75X50) (PZOR) (POSN 1,4,5,6,7) (Service Lane Part)		2005 - 2010	05
8	22649722	08.900		BOLT, HEX,M12X1.75X45,30 THD,10.9,POR (POSN 3) (Service Lane Part)		2005 - 2010	01

1A00-019 09/13/2007



Make: Chevrolet

Year: 2008

Model: Cobalt

C - Chevrolet >2008 >A - 1A1 - Cobalt >00 - 4-CYLINDER ENGINE >(1A00-019) 2008 A CLUTCH PEDAL & CYLINDERS (L61/2.2F,LE5/2.4B, M86) >

Call	Part #	Group	H	Description	Usage	Year	Qty
1	15857886	04.650		CYLINDER, BRK MAS (SEE GROUP 04.000 "BRAKE MASTER CYLINDER" FOR DETAILED ILLUSTRATED VIEW) (Service Lane Part)	A (M86,JL4)	2008 - 2008	01
1	19209201	04.650		CYLINDER, BRK MAS (SEE GROUP 04.000 "BRAKE MASTER CYLINDER" FOR DETAILED ILLUSTRATED VIEW) (ACDelco #174-1127) (Service Lane Part)	A (M86,JM4,J41)	2008 - 2008	01
2	11609746	08.917		NUT, HFH,M8X1.25,8.9THK,1 7.6 O.D.,10 STL,GMW3200, PREV TORQUE (BRK M/CYL) (Service Lane Part)		2008 - 2010	02
3	24246918	00.775		CYLINDER, CLU MAS (Service Lane Part)	A (M86)	2008 - 2010	01
4	12582665	00.785		HOSE, CLU ACTR CYL (Service Lane Part)	A (M86)	2008 - 2010	01
5	11516076	08.917		NUT, PREVAILING TORQUE TENSION FLG HD (M8X1.25X17.4 OD (CLU PED PIV) (Service Lane Part)		2008 - 2010	01
6	13583976	00.830		SENSOR, CLU PED POSN (PART OF 17) (AT BRK PED) (4.625) (ACDelco #13583976) (Service Lane Part)	A (M86)	2008 - 2010	01
7	11609999	08.900		SCREW, HEX HD FL WA,M4X0.7X20,13 THD,12 OD,9.8,GMW3044, W/NYLON (PART OF 17) (Service Lane Part)		2008 - 2010	01

							y
8	22688915	00.852		BOLT, CLU LVR PIV (PART OF 17) (0.833) (Service Lane Part)	A (M86)	2008 - 2010	01
9		NS		BUSHING, CLU PED PIV (PART OF 17)		2008 - 2008	
10	22697428	04.630		PAD, CLU PED (PART OF 17) (Service Lane Part)	A (M86)	2008 - 2010	01
10	22697428	04.630		PAD, CLU PED (PART OF 17) (Service Lane Part)	A (M86)	2008 - 2008	01
11		NS		PEDAL, CLU (PART OF 17)		2008 - 2008	
12	25861528	00.844		SPRING, CLU PED RTN (PART OF 17) (Service Lane Part)	A (M86)	2008 - 2010	01
13		NS		BUSHING, CLU PED PIV (PART OF 17)		2008 - 2008	
14	25861532	00.833		RETAINER, CLU PED PIV NUT (PART OF 17) (Service Lane Part)	A (M86)	2008 - 2010	01
15		NS		BRACKET, CLU PED (PART OF 17)		2008 - 2008	
16	11514517	08.917		NUT, HEX,W/CON SPR WA,M6X1,5.7THK,18 O.D.,9,7111M (CLU PED BRKT) (Service Lane Part)		2008 - 2010	02
17	25903229	00.830		PEDAL, CLU (W/BRKT) (INCLS 6-15) (Service Lane Part)	A (M86)	2008 - 2010	01
18	12582666	00.780		CYLINDER, CLU ACTR (INCLS BRG) (INCL RET TO ATTACH HOSE TO SLAVE CLYLINDER) (Service Lane Part)	A (M86)	2008 - 2010	01
19	93368576	00.780		BOLT, CLU ACTR CYL (Service Lane Part)	A (M86)	2008 - 2010	03