

LT4 Wet Sump Engine Specifications Par Number 19332621

Thank you for choosing Chevrolet Performance Parts as your high performance source. Chevrolet Performance Parts is committed to providing proven, innovative performance technology that is truly... more than just power. Chevrolet Performance Parts are engineered, developed and tested to exceed your expectations for fit and function. Please refer to our catalog for the Chevrolet Performance Parts Authorized Center nearest you or visit our website at www.chevroletperformance.com.

This publication provides general information on components and procedures which may be useful when installing or servicing your crate engine. Please read this entire publication before starting work.

This crate engine is assembled using brand new, premium quality components. It is based off of the Cadillac 2016 Generation V LT4 small block engine series architecture, and utilize such modern technologies as individual ignition coil per cylinder and direct fuel injection.

Due to the wide range of small block applications, if you are retrofitting a previous small block application, you may encounter installation differences between your crate engine assembly and the previous version. These differences may require modifications or additional components not included with the engine, including cooling, fuel, electrical, and exhaust systems. Some fabrication work may be required.

The LT4 crate engine require an engine control system which is available from your Chevrolet Performance Parts dealer. Check with your dealer or on www.chevroletperformance.com for the control system packages that are currently available.

It is not the intent of these specifications to replace the comprehensive and detailed service practices explained in the service manuals. For information about warranty coverage, please contact your local Chevrolet Performance Parts dealer.

Observe all safety precautions and warnings in the service manuals when installing a crate engine in any vehicle. Wear eye protection and appropriate protective clothing. When working under or around the vehicle support it securely with jack stands. Use only the proper tools. Exercise extreme caution when working with flammable, corrosive, and hazardous liquids and materials. Some procedures require special equipment and skills. If you do not have the appropriate training, expertise, and tools to perform any part of this conversion safely, this work should be done by a professional.

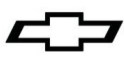
This publication is intended to provide information about this crate engine and related components. This manual also describes procedures and modifications that may be useful during the installation of an LT4 crate engine. It is not intended to replace the comprehensive service manuals and parts catalogs which cover Chevrolet Performance engines and components. Rather, it is designed to provide supplemental information in areas of interest to "do-it-yourself" enthusiasts and mechanics. This publication pertains to engines and vehicles which are used off the public highways except where specifically noted otherwise.

Legal and Emissions Information

Federal law restricts the removal of any part of a federally required emission control system on motor vehicles. Further, many states have enacted laws which prohibit tampering with or modifying any required emission or noise control system. Vehicles which are not operated on public highways are generally exempt from most regulations, as are some special interest and pre-emission vehicles. The reader is strongly urged to check all applicable local and state laws. Many of the parts described or listed in this manual are merchandised for off-highway application only, and are tagged with the "Special Parts Notice" reproduced here:

Special Parts Notice

This part has been specifically designed for Off-Highway application only. Since the installation of this part may either impair your vehicle's emission control performance or be uncertified under current Motor Vehicle Safety Standards, it should not be installed in a vehicle used on any street or highway. Additionally, any such application could adversely affect the warranty coverage of such an on-street or highway vehicle.



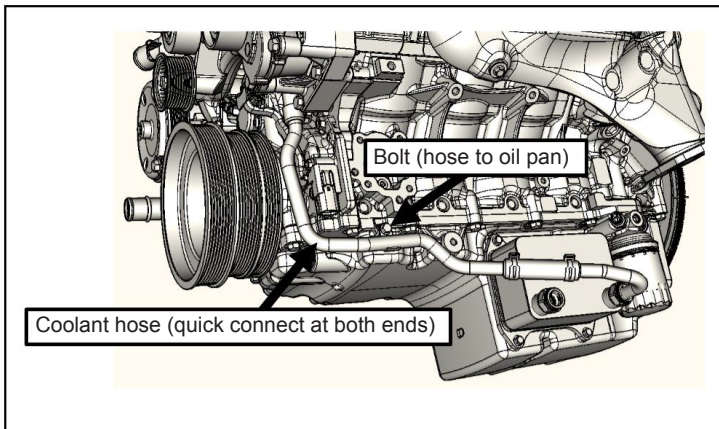
Kit Content :

DESCRIPTION	QT.
ENGINE	1
CAP-OIL FILL	1
TUBE ASM-OIL FIL	1
HOSE-OIL COOLER	1
BOLT, HOSE TO OIL PAN	1
PUMP-COOLANT	1

Coolant hose:

The supplied coolant hose runs between the engine oil cooler and the engine coolant pump. It has quick connect fittings on both ends. A supplied bolt attaches the hose bracket to the engine oil pan. See figure 1. Hose 12656725 can be purchase to obtain the quick connect fitting for the other side of the oil cooler. That side should be connected to the radiator outlet hose.

Fig.1



Oil Fill Tube

The supplied oil fill tube is a one time install part. It has a tab that once installed will not allow the tube to be removed without removing the valve cover. Beauty covers maybe purchased for a 2016 Cadillac CTS-V which cover the valve covers. See figure 2 and 3.

Fig. 2

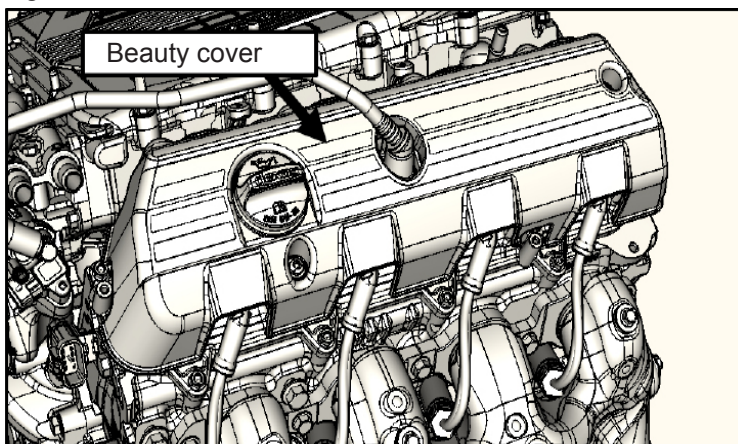
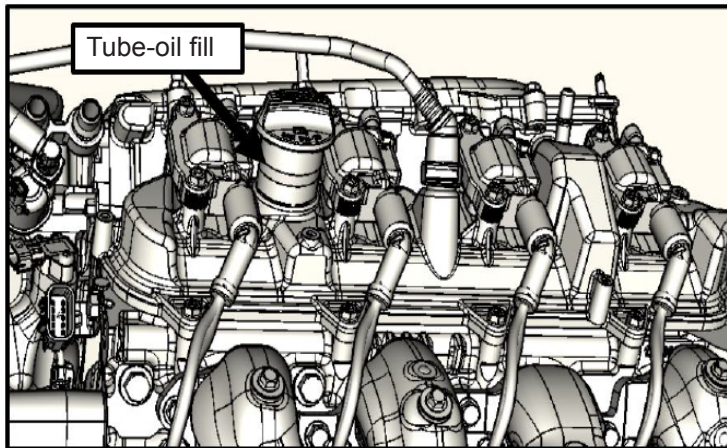




Fig. 3



Cylinder Deactivation - Not Used With Chevrolet Performance Engine Control Kit

In production, to provide maximum fuel economy under light load driving conditions, the engine control module (ECM) will command the cylinder deactivation system ON to deactivate engine cylinders 1, 7, 6, and 4, switching to a V4 mode. The engine will operate on 8 cylinders, or V8 mode, during engine starting, engine idling, and medium to heavy throttle applications. This system requires many inputs (weight of vehicle, tire size, final drive ratio, etc.) to work properly. These parameters are unknown when selling the Chevrolet Performance engine controller kit. Due to these unknown parameters as well as the need to tune the motor mounts and exhaust system for operation in both V8 and V4 modes. The Chevrolet Performance engine control kit disables this feature. The engine has not been changed, so cylinder deactivation hardware is still present.

Ignition System

The Gen-V small block engine has an advanced 58X crankshaft position encoder to ensure that ignition timing is accurate throughout its operating range. The 58X crankshaft ring and sensor provide more immediate, accurate information on the crankshaft's position during rotation. This allows the ECM to adjust ignition timing with greater precision, which optimizes performance and economy. Engine starting is also more consistent in all operating conditions. In conjunction with 58X crankshaft timing, the Gen-V applies the latest digital cam-timing technology. The cam sensor is located in the front engine cover, and it reads a 4X sensor target on the camshaft phaser rotor which is attached to the front end of the camshaft. The target ring has four equally spaced segments that communicate the camshaft's position more quickly and accurately than previous systems with a single segment. The dual 58X/4X measurement ensures extremely accurate timing for the life of the engine. Moreover, it provides an effective backup system in the event one sensor fails.

Air Induction Humidity Sensor: This new feature ensures optimal combustion efficiency, regardless of the surrounding air's humidity.

Coil-on-Plug Ignition: The Gen-V's individual coil-near-plug ignition features advanced coils that are compact and mounted on the rocker covers, although they are positioned differently than on Gen-IV engine. An individual coil for each spark plug delivers maximum voltage and consistent spark density, with no variation between cylinders.

Iridium-Tip Spark Plugs: The spark plugs have an iridium electrode tip and an iridium core in the conductor, offering higher internal resistance while maintaining optimal spark density over its useful life. The electrode design improves combustion efficiency.

Fuel System

Low Pressure (Fuel Tank To Engine)

The production system uses a returnless variable flow/pressure system that has been incorporated in the Chevrolet Performance engine control kit. A returnless fuel system reduces the internal temperature of the fuel tank by controlling the speed of the fuel pump and not returning hot fuel from the engine to the fuel tank. If using the Chevrolet Performance engine control kit, a pulse width modulation capable fuel pump that delivers 500 kPa (72psi) at 45 gallons per hour is required. If not using the Chevrolet Performance engine control system, then a fuel pump and a regulator that delivers 500kPa (72psi) with 45 gallons per hour of flow must be used.



High Pressure (On Engine)

The high fuel pressure necessary for direct injection is supplied by the high pressure fuel pump. The high pressure fuel pump is mounted on the rear of the engine under the intake manifold and is driven by a three-lobe cam on the camshaft. This high pressure fuel pump also regulates the fuel pressure using an actuator in the form of an internal solenoid-controlled valve that is controlled by the ECM.

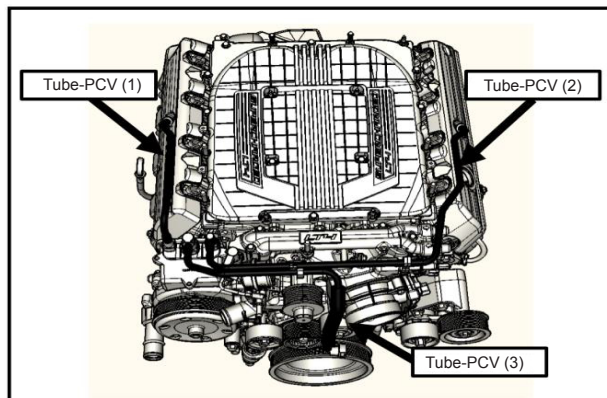
Crankcase Ventilation System Description (LT4)

A positive crankcase ventilation system is used in order to provide a more complete scavenging of crankcase vapors. Filtered air from the air induction system duct is supplied to the crankcase, mixed with blow-by vapors, and passes through a crankcase ventilation metering device before entering the supercharger. The primary component in the positive crankcase ventilation (PCV) system is the PCV flow metering device (valve or orifice). Vacuum changes within the supercharger result in flow variations of the blow-by vapors. If abnormal operating conditions occur, the design of the PCV system permits excessive amounts of blow-by vapors to back flow through the crankcase vent tube and into the engine induction system to be consumed during normal combustion. This engine ventilation system design minimizes oil consumption and significantly reduces the potential for oil ingestion during vehicle limit handling maneuvers. The LT4 engine utilizes an integral positive crankcase ventilation (PCV) system which is located in the Valve Lifter Oil Manifold Assembly beneath the Supercharger Assembly. The Valve Lifter Oil Manifold Assembly contains composite oil separating baffles and PCV plumbing. Filtered fresh air is routed from upstream of the throttle plate to the engine oil tank where it mixes with crankcase gasses and is passed to both engine rocker arm covers. The rocker arm covers' design shields rocker arm oil spray, thereby reducing the potential for oil being drawn back into the tank during backflow of the ventilation system. Blow-by vapors are routed from the valve lifter oil manifold assembly through a fixed orifice (7.5 mm) within a steel PCV tube, then into the underside of the supercharger near the front of the valve lifter oil manifold assembly.

The following parts maybe purchased to assist in PCV connection, see figure 4. The system must supply filtered air to the PCV system. Connection must be between the Mass Air Flow meter and the throttle body.

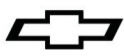
- Tube-PCV (1) 12644356
- Tube-PCV (2) 12668976
- Tube-PCV (3) 12647125

Fig. 4

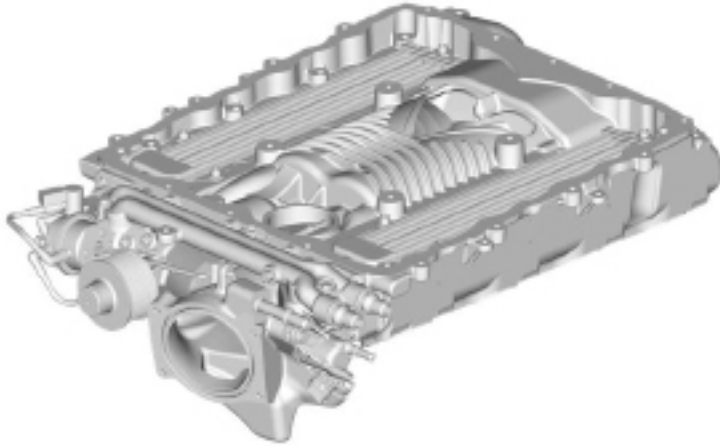


Variable Camshaft Timing

This engine has the ability to vary the camshaft position versus the piston position. If you chose to use the Chevrolet Performance engine controller kit, then it will vary camshaft timing to improve emission and fuel economy, while still producing great power. At idle, for example, the cam is at the full advanced position, allowing exceptionally smooth idling. Under other conditions, the phaser adjusts to deliver optimal valve timing for performance, drivability and fuel economy. At high rpm it may retard timing to maximize airflow through the engine and increase horsepower. At low rpm it can advance timing to increase torque. Under light loads, it can retard timing at all engine speeds to improve fuel economy. A vane-type phaser is installed on the front of the camshaft to change its angular orientation relative to the sprocket, thereby adjusting the timing of valve operation on the fly. It is a dual-equal cam phasing system that adjusts camshaft timing at the same rate for both intake and exhaust valves. The system allows linear delivery of torque, with near-peak levels over a broad rpm range, and high specific output (horsepower per liter of displacement) without sacrificing overall engine response, or drivability. It also provides another effective tool for controlling exhaust emissions.



LT4 Supercharger Description and Operation



Intake Manifold/Supercharger Assembly

The LT4 Roots-type supercharger is a positive displacement pump that consists of 2 counter-rotating rotors installed into the lower intake manifold housing. The rotors are designed with 4 lobes and a helical twist. The rotors of the supercharger are designed to run at a minimal clearance, not in contact with each other or the housing and are timed to each other by a pair of precision spur gears which are pressed onto the rotor shafts. The rotors are supported at each end by self-lubricating non-serviceable bearings. The drive belt pulley is pressed onto the input shaft. The input shaft is coupled to the rotor shaft. Both the belt pulley and shaft coupling are also non-serviceable.

The upper intake manifold housing has an integrated intercooler. Cooling the air enhances the effectiveness of the supercharger. The intercooler uses conventional coolant in a system that is separate from the engine cooling system. The intercooler system includes two charge air coolers/heat exchangers, a water manifold assembly, and a variety of sensors to monitor air temperature and pressure. The water manifold, located at the front of cover transfers coolant to the cover via four internal transfer tubes. The transfer tubes and water manifold are sealed with O-rings and press-in-place seals. Coolant enters the inlet port of the water manifold assembly, is directed into and through the two charge air coolers/heat exchangers, and exits back into the water manifold. Coolant then exits the water manifold outlet port returning to the separate cooling system. The two charge air coolers/heat exchangers are not serviceable.

Supercharger operation

The supercharger is designed to increase the air pressure and density in the intake manifold. When this air is mixed with the correct amount of fuel the result is more power from the engine. This excess air creates a boost pressure in the intake manifold with a maximum engine boost of 66.9 kPa (9.7 psi). Because the supercharger is a positive displacement pump and is directly driven from the engine drive belt system, boost pressure is available at all driving conditions.

The over boost control solenoid is an electrically operated vacuum solenoid valve that is attached to the supercharger housing. The three-way valve is controlled by the engine control module (ECM). The ECM determines when pressure in the manifold exceeds the desired operating pressure and directs manifold pressure to the bypass actuator. Manifold pressure in the actuator opens the bypass valve and lowers boost pressure.

The bypass actuator is a vacuum operated valve that is connected to the vacuum signal between the throttle and the supercharger inlet. Vacuum to the actuator pulls the bypass valve open during idle and light load conditions to decrease boost.

Engine Oil System

Engine lubrication is supplied by a variable displacement two-stage vane-type oil pump assembly. An oil control solenoid valve, controlled by the engine control module (ECM), mounted to the oil pump provides two stage functionality. The oil pump is mounted on the front of the engine block and driven directly by the crankshaft sprocket. The pump rotor and vanes rotate and draw oil from the oil pan sump through a pick-up screen and pipe. The oil is pressurized as it passes through the pump and is sent through the engine block lower oil gallery.



Pressurized oil is directed through the engine block lower oil gallery to the full flow oil filter where harmful contaminants are removed. A bypass valve is incorporated into the oil filter, which permits oil flow in the event the filter becomes restricted.

Oil exits the oil filter and is then directed to the external oil cooler. The external oil cooler is a liquid- to- liquid (engine coolant to oil) oil cooler and consists of an oil pan mounted core and coolant lines that connect the oil cooler to the engine cooling circuit. A bypass valve is incorporated into the oil cooler assembly in the event oil flow within the cooler is restricted. Then the oil moves to the upper main oil galleries and the valve lifter manifold assembly. Oil from the left upper oil gallery is directed to the crankshaft and camshaft bearings. Oil that has entered both the upper main oil galleries also pressurizes the valve lifter assemblies and is then pumped through the pushrods to lubricate the valve rocker arms and valve stems. Oil returning to the pan is directed by the crankshaft oil deflector. The oil pressure sensor is located at the top front of the engine.

An oil passage at camshaft bearing location 2 permits oil flow into the center of the camshaft. Oil enters the camshaft exiting at the front and into the camshaft position (CMP) actuator solenoid valve. The CMP valve spool position is controlled by the engine control module (ECM) and CMP magnet. When commanded by the ECM, the CMP magnet repositions the CMP actuator solenoid valve spool directing pressurized oil into the CMP actuator to control valve timing.

Powertrain Cooling

Coolant Type

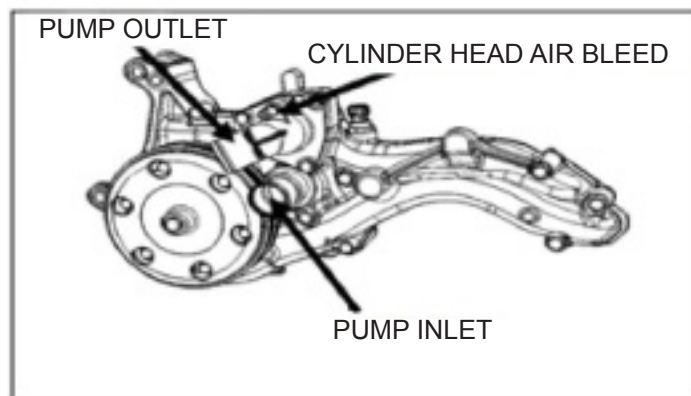
40/60 coolant/water mixture of clean, drinkable water and use only DEX-COOL® Coolant.

Engine Cooling System

A surge tank is recommended for removing air from the engine coolant, but as long as the radiator or surge tank is the highest point in the system, then air will be evacuated from the coolant. The highest point, meaning that either the radiator or the surge tank have a portion higher than the top of the cylinder heads. If they are not, then air can be trapped within the cylinder heads and cause portions of the cylinder heads to overheat, which will be detrimental to engine performance and longevity. Coolant is drawn from the radiator outlet and into the water pump inlet by the water pump. Some coolant will then be pumped from the water pump, to the heater core, then back to the water pump. This provides the passenger compartment with heat and defrost. Coolant is also pumped through the water pump outlet and into the engine block. In the engine block, the coolant circulates through the water jackets surrounding the cylinders where it absorbs heat. The coolant is then forced through the cylinder head gasket openings and into the cylinder heads. In the cylinder heads, the coolant flows through the water jackets surrounding the combustion chambers and valve seats, where it absorbs additional heat. From the cylinder heads, the coolant is then forced to the thermostat. The flow of coolant will either be stopped at the thermostat until the engine is warmed, or it will flow through the thermostat and into the radiator where it is cooled and the coolant cycle is completed.

The cylinder head air bleed needs to be routed to the highest point in the cooling system. This will assist in removing air from the cylinder heads (Figure. 5).

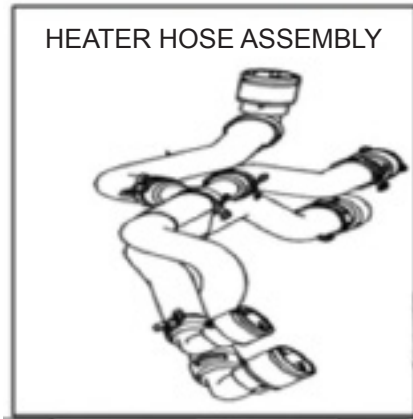
Fig. 5





Hose 22768503 can be purchase to obtain the heater inlet/outlet quick connects, when creating a custom installation (Figure 6).

Fig. 6



Engine Oil Cooling

The engine as delivered comes with a liquid to liquid engine oil cooler. Engine oil is pumped thru the cooler and engine coolant is pumped thru the cooler, to transfer the engine oil heat into the engine coolant. The engine coolant should route to the lower portion of the radiator, or inlet hose of the coolant pump. Heat is then removed by the engine radiator.

The LT4 Gen-V engine feature oil-spray piston cooling, in which eight oil-spraying jets in the engine block drench the underside of each piston and the surrounding cylinder wall with an extra layer of cooling, friction-reducing oil. The oil spray reduces piston temperature, promoting extreme output and long-term durability. The extra layer of oil on the cylinder walls and wristpin also dampens noise originating from the pistons.

Pilot Bearing

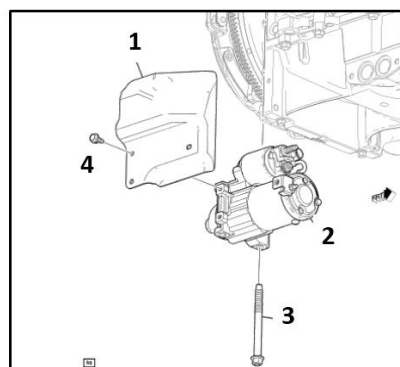
You must install a pilot bearing in the rear of the crankshaft, if the engine will be used with a manual transmission. The pilot bearing aligns the transmission input shaft with the crankshaft centerline. A worn or misaligned pilot bearing can cause shifting problems and rapid clutch wear. There are two different Chevrolet pilot bearings for the LT4. 14061685 is for a long input shaft transmission and 12557583 is for a short input shaft transmission. Verify fit prior to installing the transmission or damage will occur.

Starter Motor

A starter motor is not provided with the engine. The following parts are designed for the LT4 starting system (Figure 7).

ITEM	DESCRIPTION	PART NUMBER	QUANTITY
1	Shield-starter motor	12656132	1
2	Starter motor	12619241	1
3	Bolt-starter motor	11610787	2
4	Bolt-heat shield	11588711	3

Fig. 7



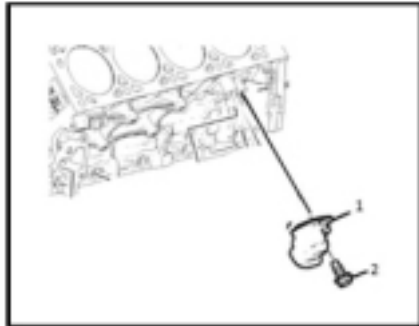


Knock Sensor Heat Shield

The production system uses a heat shield to protect the driver's side knock sensor. That is due to the close proximity of the exhaust manifold to the knock sensor. If required for your application, the parts are listed in (Figure 8).

ITEM	DESCRIPTION	PART NUMBER	QUANTITY
1	Shield-knock sensor	12640390	1
2	Bolt-heat shield	11519976	1

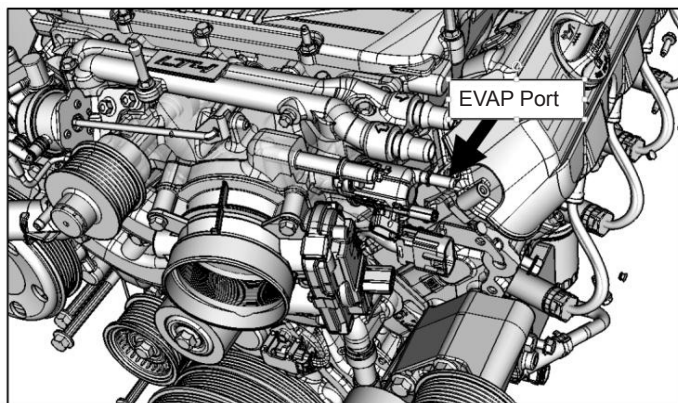
Fig. 8



Evaporative Emissions Valve

The evaporative emissions system can be used with the Chevrolet Performance engine control kit, but is not required for proper engine operation. This port must be either plugged or connected to a vapor canister. (Figure 9).

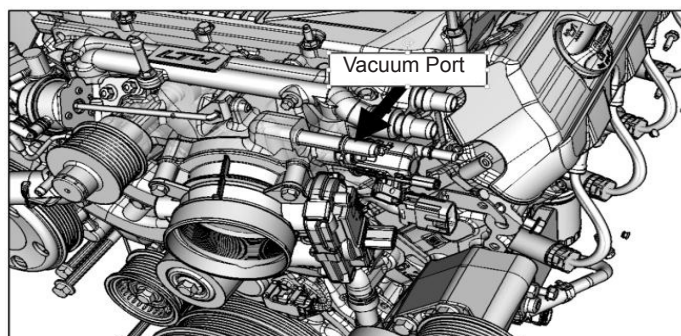
Fig. 9

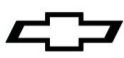


Vacuum port

There is a vacuum port than can be used for vacuum assisted brakes. It needs to be connected to the brake booster or capped, see figure 10.

Fig. 10





Charge Air Cooling System (LT4)

This kit contains a charge air coolant pump. The pump is controlled by the Chevrolet Performance Parts engine control system. The charge air cooling systems function is to reduce the temperature of the air charge that is heated during the supercharging process which improves the efficiency and performance of the powertrain. The charge air cooling system is an air-to-coolant system that uses a separate charge air cooling radiator. An electric pump is used to flow coolant from the charge air cooler (vehicle specific), through the supercharger, then back to the charge air cooler where the cycle repeats.

Start-up and Break-in Procedures

Use only engine oil licensed to the dexos1® specification of the proper SAE viscosity grade. AC Delco dexos1 Synthetic Blend is recommended. For track events or competitive driving, use Mobil 1® 15W-50 engine oil. Safety first, if the vehicle is on the ground, be sure the park brake is set, the wheels are chocked and the car cannot fall into gear. Verify everything is installed properly and nothing was missed.

This engine assembly needs to be filled with oil. After installing the engine, ensure the crankcase has been filled with the appropriate motor oil to the recommended oil fill level on the dipstick. This crate engine require a special oil meeting dexos1. Also check and fill as required any other necessary fluids such as coolant, power steering fluid, etc.

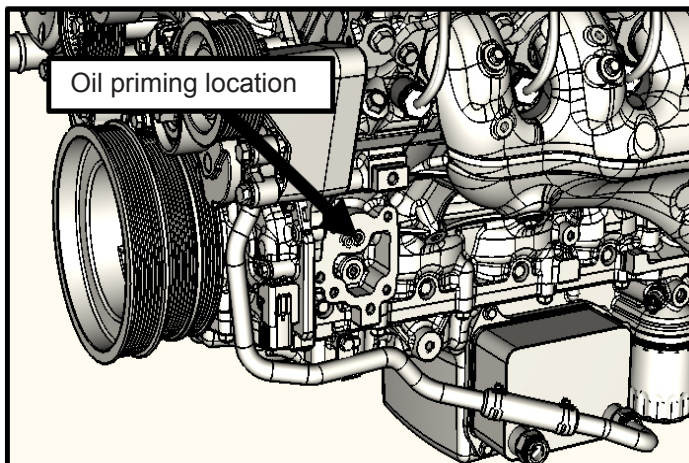
The engine should be primed with oil before starting. Install an oil pressure gauge (there is a plugged port that can be used to mechanically measure oil pressure and used to force prime the system using Kent More J45299 priming tool, see Figure 9/10).

Fig. 9

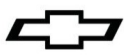
J45299 Engine Preluber



Fig. 10



If the priming tool is not use then disconnect the ignition control system (removing power from the ignition control module is generally recommended, but check your ignition control system information for additional details).



Note: Removal of the spark plugs will allow the engine to spin faster and build oil pressure faster.

Once the ignition control system has been disconnected, crank the engine using the starter for 10 seconds and check for oil pressure. If no pressure is indicated, wait 30 seconds and crank again for 10 seconds.

Repeat this process until oil pressure is indicated on the gauge.

Reconnect the ignition control system. Start the engine and listen for any unusual noises. If no unusual noises are noted, run the engine at approximately 1000 RPM until normal operating temperature is reached.

When possible, you should always allow the engine to warm up prior to driving. It is a good practice to allow the oil sump and water temperature to reach 180°F before towing heavy loads or performing hard acceleration runs.

The engine should be driven at varying loads and conditions for the first 30 miles or one hour without wide open throttle (WOT) or sustained high RPM accelerations.

Run five or six medium throttle (50%) accelerations to about 4000 RPM and back to idle (0% throttle) in gear.

Run two or three hard throttle (WOT 100%) accelerations to about 4000 RPM and back to idle (0% throttle) in gear.

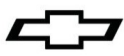
Change the oil and filter. Replace the oil per the specification in step 1, and replace the filter with a new PF64 AC Delco oil filter. Inspect the oil and the oil filter for any foreign particles to ensure that the engine is functioning properly.

Drive the next 500 miles (12 to 15 engine hours) under normal conditions. Do not run the engine at its maximum rated engine speed. Also, do not expose the engine to extended periods of high load.

Change the oil and filter. Again, inspect the oil and oil filter for any foreign particles to ensure that the engine is functioning properly.

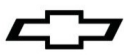
LT4 Engine Specifications:

Type:	Gen V Small Block V8
Displacement:.....	376 cubic inches (6.2 liters)
Bore x Stroke:.....	4.065" (103.25 mm) X 3.622" (92 mm)
Compression:.....	10.0:1
Block:.....	Cast aluminum, six bolt cross-bolted main caps
Cylinder Head:.....	Cast aluminum rectangle port
Valve Diameter (Intake/Exhaust):.....	2.13"/1.59" (54mm/40.4mm)
Chamber Volume:.....	65.5cc
Crankshaft:.....	Forged steel, internally balanced
Connecting Rods:.....	Forged powdered metal
Pistons:.....	Forged aluminum
Camshaft:.....	Hydraulic roller tappet
Lift:	0.502" intake, 0.561" exhaust
Duration:.....	188° intake, 223° exhaust @.050" tappet lift
Centerline:.....	120° LSA
Rocker Arm Ratio:.....	1.81:1



Oil Capacity with filter:..... 7.0-quart (6.6 liters)
Oil Pressure (Minimum, with hot oil):..... 6 psig @ 1000 RPM
..... 18 psig @ 2000 RPM
..... 24 psig @ 4000 RPM
Recommended Oil:..... DEXOS 5W30 or Mobil1 15W-50
Oil Filter:..... AC Delco part # PF64
Fuel: Premium unleaded-92 (R+M/2)
Maximum Engine Speed:..... 6600 RPM
Spark Plugs:..... Chevrolet 12642722
..... AC Delco # 41-128
Spark Plug Gap:..... 0.037–0.043" (0.95–1.10 mm)
Firing Order:..... 1-8-7-2-6-5-4-3

Information may vary with application. All specifications listed are based on the latest production information available at the time of printing.



Moteur à carter humide LT4 Numéro de pièce des caractéristiques techniques 19332621

Nous vous remercions d'avoir choisi Chevrolet Performance Parts comme source de haute performance. Chevrolet Performance Parts s'est engagée à offrir une technologie de rendement éprouvée et novatrice qui est réellement... beaucoup plus que de la puissance. Les pièces de Chevrolet Performance Parts ont été conçues, élaborées et mises à l'essai de manière à dépasser vos attentes de réglage précis et de fonction. Veuillez vous reporter à notre catalogue pour connaître le centre Chevrolet Performance Parts autorisé le plus près de chez vous ou visitez notre site Web à www.chevroletperformance.com.

La présente publication offre de l'information d'ordre général sur les composants et les procédures pouvant s'avérer utile lors de l'installation ou de l'entretien du moteur en caisse. Veuillez lire en entier la présente publication avant de commencer à travailler.

L'assemblage de ce moteur en caisse est effectué en utilisant des composants neufs de première qualité. Il est basé sur l'architecture de série moteur à bloc compact LT4 de Cadillac 2016 et utilise des technologies de pointe, comme la bobine d'allumage individuelle par cylindre et l'injection de carburant direct.

Compte tenu de la vaste gamme d'applications de moteurs à bloc compact, si l'on pose en après-vente une application antérieure à bloc compact, il se peut que l'on constate des différences de pose entre le moteur en caisse actuel et la version précédente. Ces différences peuvent nécessiter des modifications ou des composants supplémentaires qui ne sont pas compris avec le moteur, y compris les systèmes de refroidissement, électrique et d'échappement, ainsi que le circuit d'alimentation. Il se peut qu'une certaine fabrication soit requise.

Le moteur en caisse LT4 nécessite un système de commande de moteur offert par les concessionnaires Chevrolet Performance Parts. Vérifier auprès de votre concessionnaire ou sur le site Web www.chevroletperformance.com pour connaître les groupes de systèmes de commande actuellement offerts.

Ces caractéristiques techniques ne sont pas destinées à remplacer les pratiques d'entretien complètes et détaillées expliquées dans les manuels d'atelier. Pour obtenir de l'information sur l'étendue de la garantie, prière de communiquer avec le concessionnaire Chevrolet Performance Parts local.

Observer toutes les précautions et tous les avertissements en matière de sécurité présentés dans les manuels de réparation au moment de poser un moteur en caisse dans n'importe quel véhicule. Porter un protecteur pour la vue et des vêtements de protection appropriés. Lorsqu'on travaille sous un véhicule ou autour de celui-ci, le soutenir solidement à l'aide de chandelles. Utiliser seulement les outils appropriés. Faire preuve d'extrême prudence lors de travaux avec des liquides ou des matériaux inflammables, corrosifs ou dangereux. Certaines procédures nécessitent l'utilisation d'un équipement spécial et des habiletés particulières. Si vous ne possédez pas la formation, l'expertise et les outils nécessaires pour effectuer toute partie de cette conversion en toute sécurité, ce travail devrait être réalisé par un professionnel.

La présente publication a pour objet d'offrir des renseignements sur le moteur en caisse et les composants connexes. Ce guide décrit également les procédures et les modifications pouvant s'avérer utiles lors de l'installation d'un moteur en caisse LT4. Ces renseignements ne sont pas destinés à remplacer les manuels de réparation complets et les catalogues de pièces en matière de moteurs et de composants de Chevrolet Performance. Plutôt, ce guide a été conçu pour offrir des renseignements supplémentaires sur les matières pouvant intéresser les « bricoleurs » et les mécaniciens. Cette publication s'applique aux moteurs et aux véhicules qui sont utilisés hors des voies publiques, sauf indication contraire expresse.

Information juridique et relative aux émissions

Les règlements fédéraux restreignent la dépose des véhicules automobiles de toute partie d'un système antipollution exigé par la loi fédérale. En outre, de nombreux États ont établi des lois qui interdisent le traficage ou la modification de tout système antipollution ou antibruit exigé par la loi. En règle générale, les véhicules qui ne roulent pas sur les voies publiques, tout comme certains véhicules d'intérêt spécial et pré-émissions, sont exempts de la plupart de la réglementation. On suggère fortement au lecteur de consulter tous les règlements municipaux et provinciaux applicables. Plusieurs des pièces qui sont décrites ou énumérées dans le présent ouvrage sont commercialisées à des fins hors autoroute seulement et elles portent l'étiquette « Special Parts Notice » (avis sur les pièces spéciales) qui est reproduite ici.



Avis spécial sur les pièces

Cette pièce a été conçue spécifiquement pour une application hors route seulement. Puisque la pose de cette pièce pourrait nuire au rendement antipollution du véhicule ou donner lieu à son manque d'homologation en vertu des normes de sécurité actuelles des véhicules automobiles, celle-ci ne doit pas être posée dans un véhicule qui sera utilisé sur une voie publique ou une autoroute. En outre, une telle application pourrait donner lieu à l'annulation de la garantie d'un tel véhicule sur route ou autoroute.

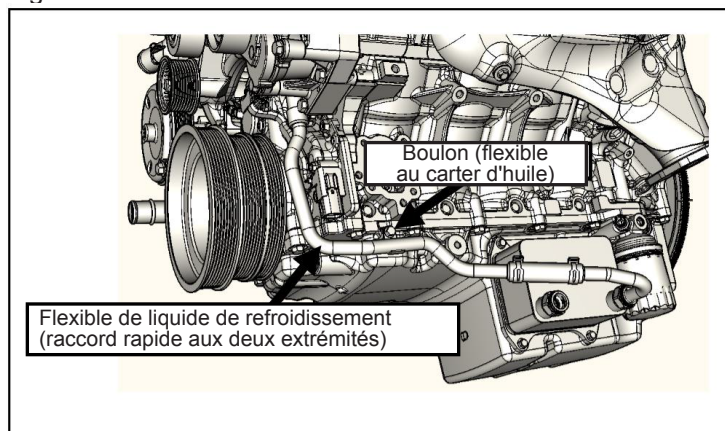
Contenu de la trousse :

DESCRIPTION	QUANTITÉ
MOTEUR	1
BOUCHON-REPLISSAGE D'HUILE	1
ENS. TUBE-REPLISSAGE D'HUILE	1
FLEXIBLE-REFROIDISSEUR D'HUILE	1
BOULON, FLEXIBLE AU CARTER D'HUILE	1
POMPE-LIQUIDE DE REFROIDISSEMENT	1

Flexible de liquide de refroidissement :

Le flexible de liquide de refroidissement fourni est acheminé entre le refroidisseur d'huile moteur et la pompe de liquide de refroidissement du moteur. Il est doté de raccords rapides à ses deux extrémités. Un boulon fourni fixe le support de flexible au carter d'huile moteur. Voir la figure 1. On peut acheter le flexible pour obtenir le raccord rapide 12656725 nécessaire pour l'autre côté du refroidisseur d'huile. Ce côté doit être raccordé à la durite de sortie de radiateur.

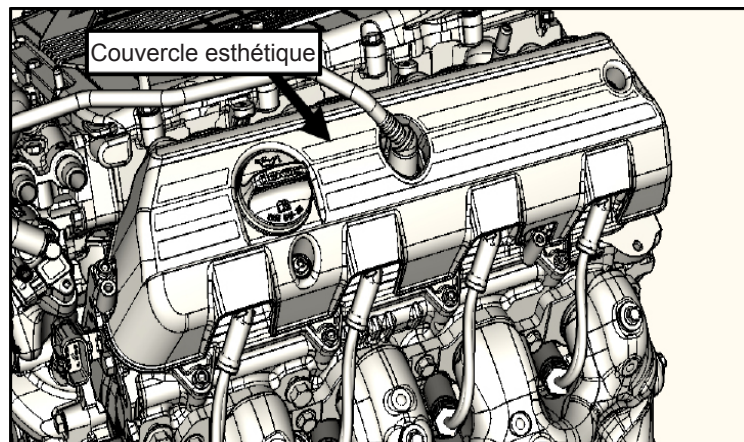
Fig. 1



Tube de remplissage d'huile

Le tube de remplissage d'huile fourni est une pièce à installation unique. Il est doté d'un languette qui rend impossible la dépose du tube sans retirer le couvre-culasse. Des couvercles esthétiques peuvent être achetés pour la Cadillac CTS-V 2016 pour couvrir les couvre-culasses. Voir les figures 2 et 3.

Fig. 2



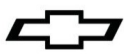
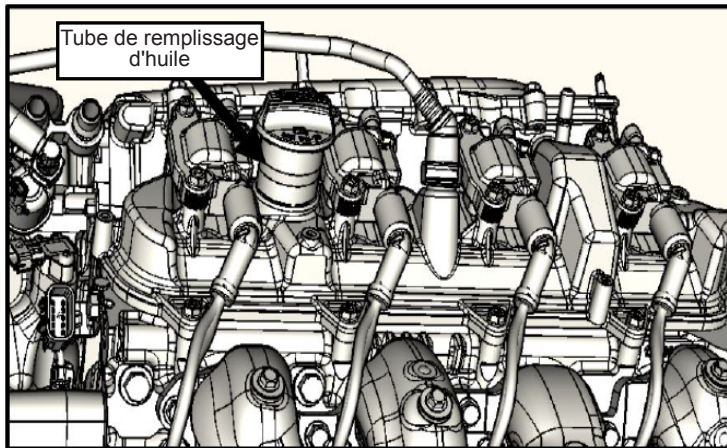


Fig. 3



Désactivation de cylindre - Non utilisé avec la trousse de commande de moteur Chevrolet Performance

Afin d'offrir une économie de carburant maximale dans des conditions de conduite à charge légère, le module de commande du moteur (ECM) commande l'activation du système de désactivation de cylindres afin de désactiver les cylindres 1, 7, 6 et 4 pour passer en mode V4. Le moteur fonctionne avec 8 cylindres, ou en mode V8, au démarrage, au ralenti et lors d'accélération moyennes à agressives. Ce système requiert le bon fonctionnement de plusieurs entrées (poids du véhicule, dimension des pneus, rapport de pont, etc.). Ces paramètres ne sont pas connus lors de la vente de la trousse de contrôleur de moteur Chevrolet Performance. En raison de ces paramètres inconnus, ainsi que de la nécessité de mettre au point les supports de moteur et le système d'échappement pour un fonctionnement en mode V8 est en mode V4. La trousse de commande de moteur Chevrolet Performance désactive cette fonction. Le moteur n'a pas été modifié, la quincaillerie de désactivation de cylindres est donc toujours présente.

Système d'allumage

Le moteur à bloc compact GEN-V est doté d'un encodeur de position de vilebrequin 58X avancé qui garantit un calage de l'allumage précis dans l'ensemble de la plage de fonctionnement. La couronne de vilebrequin 58X et le capteur fournissent des renseignements précis et immédiats sur la position du vilebrequin pendant la rotation. Cela permet à l'ECM de régler le calage de l'allumage avec une plus grande précision, ce qui optimise le rendement et l'économie de carburant. Le démarrage du moteur est également plus constant dans toutes les conditions de fonctionnement. Conjointement avec le calage de distribution du vilebrequin 58X, le Gen-V utilise la plus récente technologie de calage de distribution d'arbre à cames. Le capteur d'arbre à cames est situé dans le couvercle avant du moteur et détecte une cible de capteur 4X sur le rotor de mise en phase de l'arbre à cames, qui est fixé sur l'extrémité avant de l'arbre à cames. La couronne cible est dotée de quatre segments à intervalles réguliers qui transmettent la position de l'arbre à cames plus rapidement et plus précisément que les systèmes précédents à un seul segment. La mesure double 58X/4X garantit un calage de la distribution extrêmement précis pour toute la durée de vie du moteur. De plus, il constitue un système d'appoint efficace en cas de défaillance d'un des capteurs.

Capteur d'humidité d'admission d'air : Cette nouvelle caractéristique garantit une efficacité optimale de la combustion, peu importe l'humidité de l'air environnant.

Allumage bobine sur bougie : L'allumage bobine sur bougie individuelle du Gen-V est constitué de bobines avancées compactes et fixées sur le cache-culbuteurs, mais positionnées différemment que sur le moteur Gen-IV. Une bobine individuelle pour chaque bougie d'allumage fournit la tension maximale et une densité d'étincelle constante, sans variation entre les cylindres.

Bougies d'allumage à pointe en iridium : Les bougies sont dotées d'une électrode en iridium et d'une âme en iridium dans le conducteur, ce qui offre une résistance interne plus élevée tout en maintenant une densité d'étincelle optimale tout au long de leur durée de vie. La conception de l'électrode améliore l'efficacité de la combustion.

Circuit d'alimentation en carburant

Basse pression (réservoir de carburant à moteur)

Le système de production fonctionne avec un débit variable antiretour/système de pression intégré à la trousse de commande de moteur Chevrolet Performance. Le circuit d'alimentation en carburant antiretour réduit la température interne du réservoir de carburant en régulant la vitesse de la pompe à carburant et en empêchant le retour de carburant chaud dans le réservoir de carburant provenant du moteur. En cas d'utilisation de la trousse de commande de moteur Chevrolet Performance, il faut utiliser une pompe à carburant à modulation en durée d'impulsions qui fournit 500 kPa (72 psi) à 45 gallons par heure. Si le système de commande du moteur Chevrolet Performance n'est pas utilisé, il faut alors utiliser une pompe à carburant et un régulateur qui fournit 500 kPa (72 psi) à un débit de 45 gallons par heure.

Haute pression (sur le moteur)

La haute pression nécessaire à l'injection directe est fournie par la pompe à carburant haute pression. La pompe à carburant haute pression est fixée à l'arrière du moteur sous la tubulure d'admission et entraînée par une came à trois bossages sur l'arbre à cames. Cette pompe à carburant haute pression régule également la pression de carburant avec un actionneur de type soupape commandée par solénoïde interne, qui est à son tour commandé par l'ECM.

Description du système de recyclage des gaz de carter (LT4)

Un système de recyclage des gaz de carter est utilisé afin de permettre une évacuation des vapeurs de carter de moteur plus complète. L'air filtré provenant de la conduite du système d'admission d'air est fourni au carter de moteur, mélangé avec les vapeurs perdues et passe à travers un appareil de mesure de ventilation du carter de moteur avant d'entrer dans le compresseur d'alimentation. Le composant principal du système de recyclage des gaz de carter (PCV) est le dispositif de mesure de débit PVC (soupape ou orifice). Tout changement de dépression dans le compresseur d'alimentation entraîne des variations de débit des vapeurs de gaz de carter. Si des conditions anormales de fonctionnement sont réunies, la conception du système de PCV permet à des quantités excessives de vapeurs perdues d'aller à contre-courant par le tube de ventilation du carter de vilebrequin vers le système d'admission d'air du moteur afin d'y être consommées au cours de la combustion normale. Cette conception de système de ventilation du moteur minimise la consommation d'huile et réduit de manière importante les possibilités d'ingestion d'huile pendant l'exécution de manoeuvres limites de tenue de route du véhicule. Le moteur LT4 utilise un système de recyclage des gaz de carter (PCV) intégré situé dans l'ensemble collecteur d'huile de poussoir de soupape, sous l'ensemble compresseur d'alimentation. L'ensemble collecteur d'huile de poussoir de soupape compte des déflecteurs de séparation d'huile en composite et une tuyauterie PCV. L'air frais filtré est acheminé depuis l'amont du papillon des gaz jusqu'au réservoir d'huile du moteur, où il se mélange aux gaz de carter et traverse les deux couvre-culbuteurs du moteur. Les couvre-culbuteurs agissent comme écran pour la pulvérisation d'huile de culbuteur, ce qui réduit les risques de refoulement d'huile dans le réservoir pendant le cycle à contre-courant du système de recyclage. Les vapeurs de gaz de carter sont acheminées depuis l'ensemble collecteur d'huile de poussoir de soupape à travers une orifice fixe (7,5 mm) dans le tube PCV en acier, puis dans le côté inférieur du compresseur d'alimentation près de l'avant de l'ensemble collecteur d'huile de poussoir de soupape.

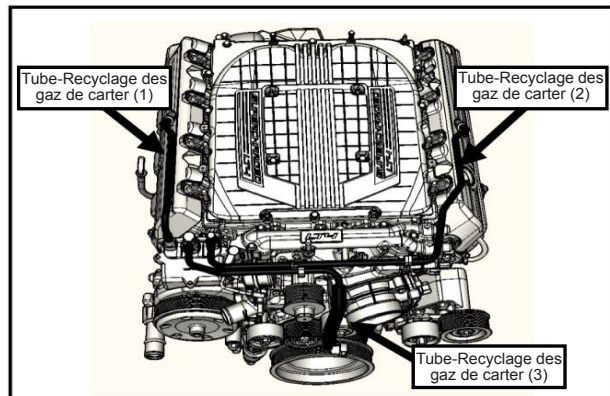
On peut se procurer les pièces ci-dessous pour faciliter le raccordement PCV; voir la figure 4. Le système doit fournir de l'air filtré au système de recyclage des gaz de carter (PCV). Le raccordement doit être fait entre le débitmètre d'air massique et le corps de papillon.

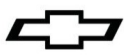
Tube-Recyclage des gaz de carter (1) 12644356

Tube-Recyclage des gaz de carter (2) 12668976

Tube-Recyclage des gaz de carter (3) 12647125

Fig. 4

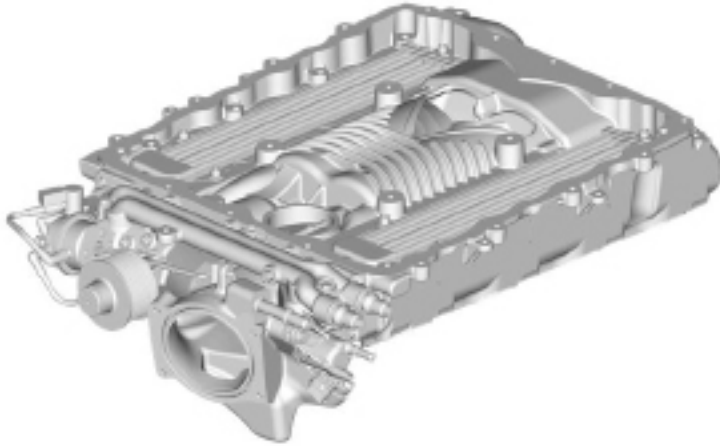




Distribution de l'arbre à cames variable

Ce moteur a la capacité de varier la position de l'arbre à cames par rapport à la position du piston. Si vous choisissez d'utiliser la trousse de contrôleur de moteur Chevrolet Performance, ce système fait alors varier la distribution de l'arbre à cames pour améliorer les émissions et l'économie de carburant, tout en produisant une grande puissance. Au ralenti, par exemple, l'arbre à cames est en position complètement avancée, ce qui produit un ralenti extrêmement doux. Dans ces conditions, le dispositif de mise en phase assure un réglage de façon à fournir un calage de distribution optimal pour la performance, la conduite et l'économie de carburant. À régime élevé, il peut retarder la distribution afin de maximiser le débit d'air dans l'ensemble du moteur et augmenter la puissance du moteur. À faible régime, il peut avancer la distribution pour augmenter le couple. Dans des conditions de charge légère, il peut retarder la distribution à tous les régimes moteurs afin d'améliorer l'économie de carburant. Un dispositif de mise en phase de type vanne est posé à l'avant de l'arbre à cames afin de changer son orientation angulaire par rapport au pignon, ce qui permet de régler le calage de distribution sur le champ. Il s'agit d'un système de phasage d'arbre à cames double et égale qui ajuste le calage de distribution de l'arbre à cames à la même vitesse pour les soupapes d'admission et les soupapes d'échappement. Le système permet de produire un couple de façon linéaire, avec des niveaux près des sommets sur une large plage de régimes et une puissance précise élevée (puissance par litre de cylindrée) sans sacrifier la réponse globale du moteur ou la conduite. Il procure également un autre outil efficace de régulation des émissions d'échappement.

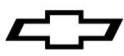
Description et fonctionnement du compresseur d'alimentation LT4



Ensemble tubulure d'admission/compresseur d'alimentation

Le compresseur d'alimentation de type « Roots » LT4 est une pompe volumétrique composée de deux rotors à contre-rotation posés dans le boîtier de collecteur d'admission inférieur. Les rotors sont conçus avec 4 lobes et une torsion hélicoïdale. Les rotors du suralimenteur sont conçus pour fonctionner à un dégagement minimal, sans entrer en contact l'un avec l'autre ou avec le boîtier et sont synchronisés avec une paire d'engrenages droits de précision montés à la presse sur les arbres de rotor. Les rotors sont supportés à chaque extrémité par des paliers autolubrifiants non réparables. La poulie de courroie d'entraînement est montée à la presse sur l'arbre d'entrée. L'arbre d'entrée est accouplé à l'arbre de rotor. La poulie de courroie et l'accouplement d'arbre sont également non réparables.

Le boîtier de tubulure d'admission supérieure est doté d'un refroidisseur intermédiaire intégré. Le refroidissement de l'air améliore l'efficacité du compresseur d'alimentation. Le refroidisseur intermédiaire utilise un liquide de refroidissement conventionnel dans un système distinct du système de refroidissement du moteur. Le système de refroidisseur intermédiaire inclut deux refroidisseurs d'air de suralimentation/échangeurs thermiques, un ensemble collecteur d'eau et différents capteurs qui surveillent la température et la pression de l'air. Le collecteur d'eau, situé à l'avant du couvercle, transfère le liquide de refroidissement au couvercle par quatre tubes de transferts internes. L'étanchéité de tubes de transfert et du collecteur d'eau est assurée par des joints toriques et des joints d'étanchéité à insertion. Le liquide de refroidissement entre dans l'orifice d'entrée de l'ensemble collecteur d'eau, traverse les refroidisseurs/échangeurs thermiques d'air de suralimentation, puis retourne dans le collecteur d'eau. Le liquide de refroidissement sort ensuite de l'orifice de sortie du collecteur d'eau pour retourner système de refroidissement séparé. Les deux refroidisseurs d'air de suralimentation/échangeurs thermiques ne sont pas réparables.



Fonctionnement du compresseur d'alimentation

Le compresseur d'alimentation est conçu pour augmenter la pression et la densité de l'air dans la tubulure d'admission. Lorsque cette air est mélangé avec la bonne quantité de carburant, ceci permet au moteur de produire plus de puissance. Cette excédent d'air crée une pression de suralimentation dans la tubulure d'admission pour une suralimentation maximale du moteur de 66,9 kPa (9,7 psi). Comme le compresseur d'alimentation est une pompe volumétrique positive et qu'il est entraîné directement par le système de courroie d'entraînement du moteur, la pression de suralimentation est disponible dans toutes les conditions de conduite.

Le solénoïde de régulation de suralimentation est une électrovanne de dépression à commande électrique qui est fixée au boîtier du compresseur d'alimentation. L'électrovanne à trois voies est commandée par le module de commande du moteur (ECM). L'ECM détermine si la pression dans la tubulure excède la pression de fonctionnement désirée et acheminer la pression de la tubulure vers l'actionneur de dérivation. La pression de tubulure dans l'actionneur ouvre la soupape de dérivation et abaisse la pression de suralimentation.

L'actionneur de dérivation est une soupape commandée par la dépression qui est raccordée au signal de dépression entre le papillon et l'admission du compresseur d'alimentation. La dépression présente à l'actionneur entraîne l'ouverture de la soupape de dérivation pendant la marche au ralenti ou dans des conditions de charge légère pour diminuer la suralimentation.

Circuit d'huile moteur

Le graissage du moteur est assuré par un ensemble pompe à huile de type vanne à deux étages à cylindrée variable. Une électrovanne régulatrice d'huile, commandée par le module de commande du moteur (ECM) et fixée à la pompe à huile, procure un fonctionnement à deux étages. La pompe à huile est montée à l'avant du bloc-moteur et fonctionne par entraînement direct du pignon de vilebrequin. Le rotor et les aubes de la pompe tournent et aspirent l'huile depuis le carter d'huile à travers une crépine et un tuyau. L'huile est mise sous pression lorsqu'elle traverse la pompe, puis est envoyée dans les canalisations d'huile inférieures du bloc-moteur.

L'huile sous pression circule dans les canalisations d'huile inférieures du bloc-moteur jusqu'au filtre à huile plein débit où sont piégés les contaminants dommageables. Une vanne de dérivation est intégrée dans le filtre à huile afin de permettre à l'huile de circuler en cas d'obstruction du filtre.

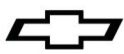
L'huile quitte le filtre puis circule jusqu'au refroidisseur d'huile externe. Le refroidisseur d'huile externe est un refroidisseur d'huile liquide à liquide (liquide de refroidissement du moteur à huile) et comprend un faisceau monté dans le carter d'huile et des conduites de liquide de refroidissement qui raccordent le refroidisseur d'huile au circuit de refroidissement du moteur. Une vanne de dérivation est intégrée dans l'ensemble refroidisseur d'huile en cas d'obstruction de la circulation d'huile dans le refroidisseur. L'huile circule ensuite jusqu'aux passages d'huile principaux supérieurs et jusqu'à l'ensemble collecteur de poussoir de soupape. L'huile du passage d'huile supérieur gauche est dirigée aux paliers de vilebrequin et d'arbre à cames. L'huile qui est entrée dans les deux passages d'huile principaux supérieurs met également sous pression les ensembles poussoir de soupape, puis est pompée par les tiges de poussoir pour lubrifier les culbuteurs et les tiges de soupapes. L'huile qui retourne au carter est dirigée par le déflecteur d'huile de carter moteur. Le capteur de pression d'huile est situé sur le dessus avant du moteur.

Un passage d'huile située à l'emplacement 2 du palier d'arbre à cames permet à l'huile de circuler au centre de l'arbre à cames. L'huile entre dans l'arbre à cames pour sortir à l'avant et entrer dans l'électrovanne de positionneur d'arbre à cames (CMP). La position du tiroir de commande de la soupape CMP est commandée par le module de commande du moteur (CMP) et l'aimant CMP. Lorsqu'elle est commandée par l'ECM, l'aimant CMP repositionne le tiroir de commande d'électrovanne de positionneur d'arbre à cames (CMP) pour diriger l'huile sous pression dans le positionneur CMP afin de réguler le calage distribution des soupapes.

Refroidissement du groupe motopropulseur

Type de liquide de refroidissement

Mélange 40/60 d'eau propre potable et de liquide refroidisseur DEX-COOL® seulement.

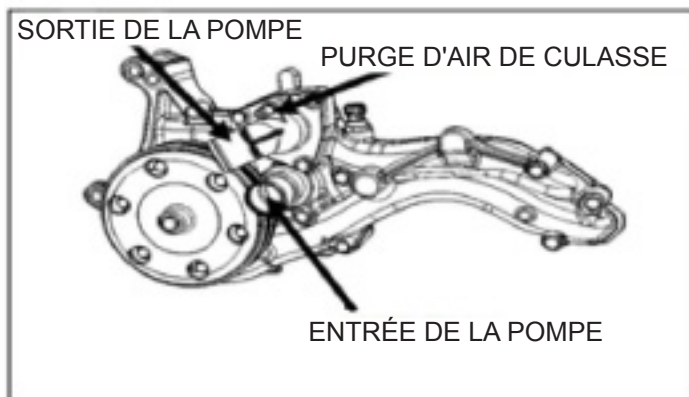


Circuit de refroidissement du moteur

Un réservoir d'expansion est recommandé pour éliminer l'air du liquide de refroidissement du moteur, mais tant et aussi longtemps que le radiateur ou le réservoir d'expansion est le point le plus élevé du circuit, l'évacuation de l'air du liquide de refroidissement est assurée. Un point plus élevé signifie que le radiateur ou le réservoir d'expansion présente une section plus élevée que la partie supérieure des culasses. Si ce n'est pas le cas, il est alors possible que l'air emprisonné dans les culasses cause une surchauffe de certaines parties des culasses, ce qui aurait une incidence négative sur le rendement et la longévité du moteur. Le liquide de refroidissement est aspiré par la sortie du radiateur jusque dans l'admission de la pompe à eau par la pompe à eau. Une partie du liquide de refroidissement est alors pompée depuis la pompe à eau, jusqu'au radiateur de chauffage, puis de retour à la pompe à eau. Ceci permet de chauffer l'habitacle et de fournir le dégivrage. Le liquide de refroidissement est également pompé par la sortie de la pompe à eau jusque dans le bloc-moteur. Dans le bloc-moteur, le liquide de refroidissement circule dans les chemises d'eau entourant les cylindres pour absorber la chaleur. Le liquide de refroidissement du moteur est alors poussé dans les ouvertures du joint de culasse, puis dans les culasses. Dans les culasses, le liquide de refroidissement circule dans les chemises d'eau entourant les chambres de composition et les sièges de soupape, dans lesquels il absorbe la chaleur supplémentaire. À partir des culasses, le liquide de refroidissement est poussé jusqu'au thermostat. Le débit de liquide de refroidissement est alors interrompu au thermostat jusqu'à ce que le moteur soit réchauffé ou il circule par le thermostat jusque dans le radiateur où il sera refroidi, ce qui complète le cycle du liquide de refroidissement.

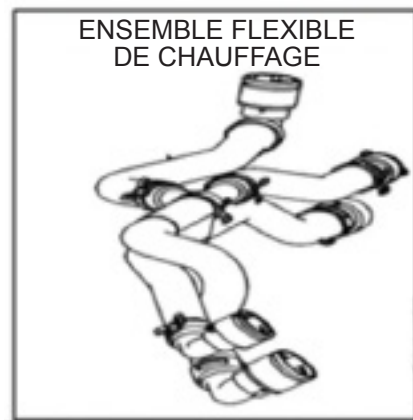
La purge d'air de culasse doit être acheminée au point le plus élevé du circuit de refroidissement. Ceci aide à éliminer l'air des culasses (figure 5).

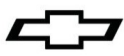
Fig. 5



On peut acheter le flexible 22768503 pour obtenir les raccords rapides de sortie et d'admission du système de chauffage en cas d'installation sur mesure (figure 6).

Fig. 6





Refroidissement d'huile moteur

Le moteur est livré équipé d'un refroidisseur d'huile moteur liquide à liquide. L'huile moteur est pompé par le refroidisseur et le liquide de refroidissement du moteur est pompé par le refroidisseur afin de transférer la chaleur de l'huile moteur au liquide de refroidissement du moteur. Le liquide de refroidissement du moteur doit circuler par la portion inférieure de radiateur ou par le flexible d'admission de la pompe à liquide de refroidissement. La chaleur est ensuite éliminée par le radiateur du moteur.

Le moteur LT4 Gen-V est doté du refroidissement de piston par pulvérisation d'huile, dans lequel huit gicleurs d'huile dans le bloc-moteur inondent le dessous de chaque piston et la périphérie des parois de cylindre avec une couche supplémentaire d'huile de refroidissement et de réduction de frottement. La pulvérisation d'huile réduit la température des pistons, ce qui favorise une puissance extrême et une longévité durable. La couche supplémentaire d'huile sur les parois de cylindres et les axes de piston amortit également le bruit produit par les pistons.

Roulement-guide

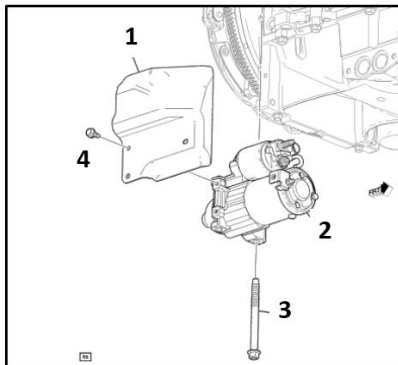
On doit installer un roulement-guide derrière le vilebrequin si l'on prévoit utiliser le moteur conjointement avec une boîte manuelle. Le roulement-guide aligne l'arbre primaire de la boîte de vitesses avec l'axe central du vilebrequin. Un roulement-guide usé ou désaligné peut provoquer des anomalies de changement de vitesse et une usure rapide de l'embrayage. Il existe deux roulements-guides Chevrolet différents pour le moteur LT4. Le roulement 14061685 pour une boîte de vitesses à long arbre d'entrée et le roulement 12557583 pour une boîte de vitesses à arbre d'entrée court. Vérifier que la bonne pièce est utilisée avant de poser la boîte de vitesses pour éviter les dommages.

Moteur de démarreur

Aucun démarreur n'est fourni avec le moteur. Les pièces ci-dessous sont conçues pour le système de démarrage LT4 (figure 7).

ARTICLE	DESCRIPTION	NUMÉRO DE PIÈCE	QUANTITÉ
1	Bouclier-démarreur	12656132	1
2	Démarreur	12619241	1
3	Boulon-démarreur	11610787	2
4	Boulon-bouclier thermique	11588711	3

Fig. 7



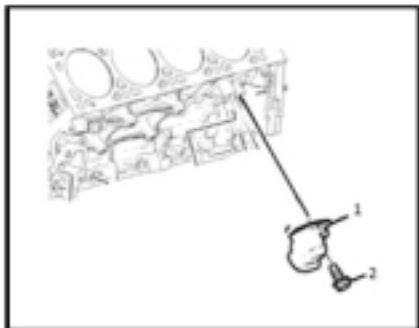


Bouclier thermique de capteur de cognement

Le système de production utilise un bouclier thermique pour protéger le capteur de cognement côté conducteur. Ceci est nécessaire en raison de la proximité de la tubulure d'échappement et du capteur de cognement. Si l'application le requiert, les pièces sont indiquées dans la (figure 8).

ARTICLE	DESCRIPTION	NUMÉRO DE PIÈCE	QUANTITÉ
1	Bouclier-capteur de cognement	12640390	1
2	Boulon-bouclier thermique	11519976	1

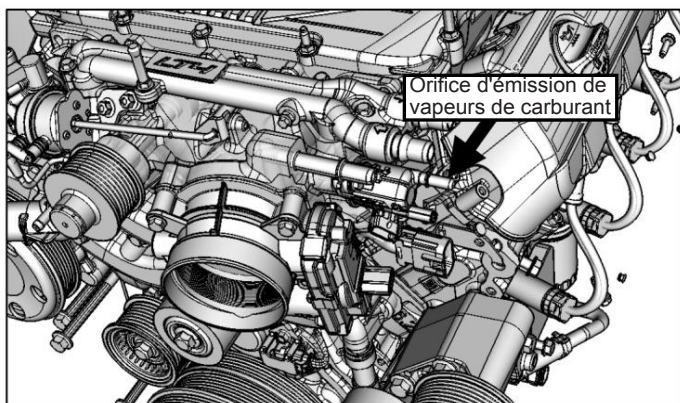
Fig. 8



Soupape d'émission de vapeurs de carburant

Le système d'émission de vapeurs de carburant peut être utilisé avec la trousse de commande de moteur Chevrolet Performance, mais elle n'est pas nécessaire pour le bon fonctionnement du moteur. Cet orifice doit être bouché ou raccordé à l'absorbeur de vapeurs (figure 9).

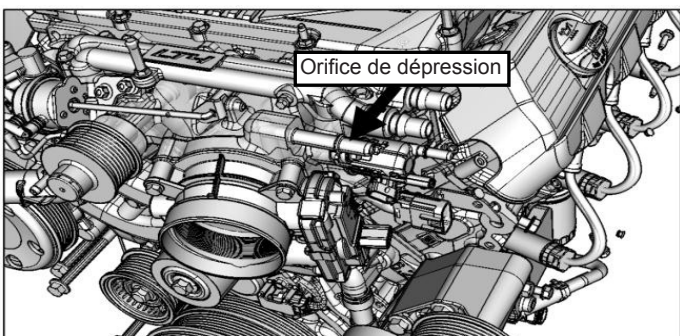
Fig. 9

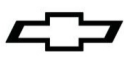


Orifice de dépression

Il y a un orifice de dépression qui peut être utilisé pour les freins à dépression. Il doit être raccordé au servofrein ou bouché; voir la figure 10.

Fig. 10





Système de refroidissement d'air de suralimentation (LT4)

Cette trousse contient une pompe de liquide de refroidissement d'air de suralimentation. La pompe est commandée par le système de commande du moteur Chevrolet Performance Parts. La fonction des systèmes de refroidissement d'air de suralimentation est de réduire la température de la charge d'air chauffée pendant le processus de suralimentation qui améliore l'efficacité et le rendement du groupe motopropulseur. Le système de refroidissement d'air de suralimentation est un système air à liquide de refroidissement qui utilise un radiateur de refroidissement d'air de suralimentation distinct. Une pompe électrique est utilisée pour faire circuler le liquide de refroidissement du refroidisseur d'air de suralimentation (selon le véhicule), par le compresseur d'alimentation, puis de retour au refroidisseur d'air de suralimentation pour la répétition du cycle.

Procédures de démarrage et de rodage

Utiliser seulement de l'huile moteur homologuée dexos1®, ou le bon degré de viscosité SAE. Le mélange synthétique AC Delco dexos1 est préconisé. Pour la conduite sur piste ou la compétition, utiliser le moteur Mobil 1® 15W-50. La sécurité d'abord. Si le véhicule est sur le sol, s'assurer que le frein de stationnement est engagé, que les roues sont calées et que le véhicule ne peut s'engager dans un rapport. Vérifier si tout est installé adéquatement et que rien ne manque.

Ce moteur doit être rempli d'huile. Après avoir posé le moteur, s'assurer que le carter de vilebrequin a été rempli avec l'huile moteur appropriée jusqu'au niveau de remplissage d'huile recommandé sur la jauge graduée. Ce moteur en caisse exige une huile spéciale conforme à la norme dexos1. Vérifier le niveau de tous les autres liquides et remplir au besoin, comme le liquide de refroidissement, le liquide de direction assistée, etc.

Le moteur doit être amorcé d'huile préalablement au démarrage. Poser un manomètre d'huile (il y a un orifice bouché qui peut être utilisé pour mesurer mécaniquement la pression d'huile et pour forcer l'amorce du système avec l'outil d'amorçage J45299 de Kent More; voir les figures 9 et 10).

Fig. 9

Pré-lubrificateur du moteur J45299

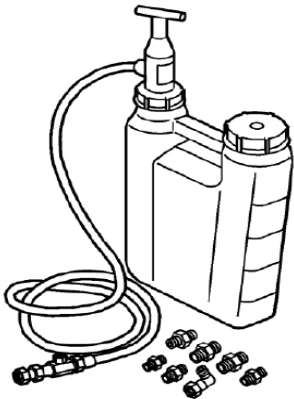
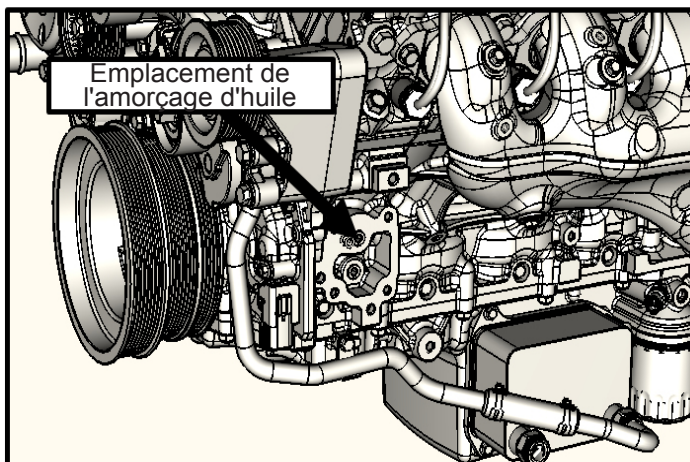
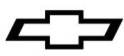


Fig. 10





Si l'outil d'amorçage n'est pas utilisé, débrancher le système de commande d'allumage (la coupure de l'alimentation du module de commande d'allumage est généralement recommandé, mais consulter les renseignements sur le système de commande d'allumage pour obtenir des détails supplémentaires).

Remarque : La dépose des bougies d'allumage permet au moteur de tourner plus rapidement et d'accumuler une pression d'huile plus rapidement.

Une fois que le système de commande d'allumage a été débranché, démarrer le moteur en utilisant le démarreur pendant 10 secondes et vérifier la pression d'huile. Si aucune pression n'est indiquée, attendre 30 secondes et essayer de démarrer encore pendant 10 secondes.

Répéter ce processus jusqu'à ce que la pression d'huile soit indiquée sur la jauge.

Rebrancher le système de commande d'allumage. Démarrer le moteur et écouter afin de déceler la présence de bruits inhabituels. Si aucun bruit inhabituel n'est remarqué, laisser tourner le moteur à environ 1 000 tours par minute jusqu'à ce qu'il atteigne sa température de fonctionnement normale.

Lorsque cela est possible, vous devriez toujours permettre au moteur de se réchauffer avant de conduire. Une bonne pratique est de permettre à la température du carter d'huile et de l'eau d'atteindre 180°F avant de tirer de lourdes charges ou de faire des courses à accélération brusque.

Le moteur devrait être entraîné à différentes charges et dans différentes conditions les 30 premiers milles ou pendant une heure sans être au régime maximal (WOT) ou sans subir d'accélération brusques du nombre de tours par minute.

Effectuer cinq ou six accélérations à gaz moyens (50 %) jusqu'à environ 4 000 tr/min puis retourner à la marche au ralenti (0 % des gaz) en prise.

Effectuer deux ou trois accélérations dures (pleins gaz à 100 %) jusqu'à environ 4 000 tr/min puis retourner à la marche au ralenti (0 % des gaz) en prise.

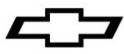
Vidanger l'huile et remplacer le filtre. Vidanger l'huile en suivant les caractéristiques techniques présentées à l'étape 1 et remplacer le filtre avec un nouveau filtre à huile PF64 AC Delco. Vérifier l'huile et le filtre à huile afin de repérer toute particule étrangère pour s'assurer que le moteur fonctionne correctement.

Conduire la prochaine distance de 500 milles (de 12 à 15 heures moteur) dans des conditions normales. Ne pas faire tourner le moteur à sa vitesse nominale maximale. De plus, ne pas exposer le moteur à des périodes prolongées de charge élevée.

Vidanger l'huile et remplacer le filtre. Vérifier l'huile et le filtre à huile de nouveau afin de repérer toute particule étrangère pour s'assurer que le moteur fonctionne correctement.

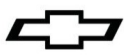
Caractéristiques techniques du moteur LT4 :

Type :	V8 à bloc compact de 5e génération
Cylindrée :	376 pouces cubes (6,2 litres)
Alésage x course :	4,065 po (103,25 mm) X 3,622 po (92 mm)
Compression :	10,0:1
Bloc :	Aluminium moulé, six boulons fixés latéralement aux chapeaux principaux
Culasse :	Aluminium moulé, orifice rectangulaire
Diamètre de soupape (admission/échappement) :	2,13 po/1,59 po (54 mm/40,4 mm)
Volume de la chambre :	65,5 cc
Vilebrequin :	Acier forgé, équilibré par contrepoids
Bielles :	Forgées, métal fritté



Pistons :.....	Aluminium forgé
Arbre à cames :.....	Poussoir à galet hydraulique
Levée :.....	Admission 0,502 po, échappement 0,561 po
Durée :.....	Admission 188°, échappement 223° à une levée de poussoir de 0,050 po
Axe central :.....	120° LSA
Rapport des culbuteurs :.....	1,81:1
Capacité d'huile avec filtre :.....	7,0 pintes (6,6 litres)
Pression d'huile (minimale, avec huile chaude) :.....	6 psig à 1 000 tr/min
.....	18 psig à 2 000 tr/min
.....	24 psig à 4 000 tr/min
Huile recommandée :.....	DEXOS 5W30 ou Mobil1 15W-50
Filtre à huile :.....	N° de pièce PF64 d'AC Delco
Carburant	Supercarburant sans plomb - 92 (R+M/2)
Régime maximal du moteur :.....	6 600 tr/min
Bougies d'allumage :.....	Chevrolet 12642722
.....	AC Delco n° 41-128
Écartement des électrodes :.....	0,037 po à 0,043 po (0,95-1,10 mm)
Ordre d'allumage :.....	1-8-7-2-6-5-4-3

L'information peut varier selon l'application. Toutes les spécifications énumérées sont basées sur les plus récentes données de production disponibles à la date d'impression



Motor de sumidero húmedo LT4 Especificaciones de número de parte 19332621

Gracias por elegir Chevrolet Performance Parts como su fuente de alto desempeño. Chevrolet Performance Parts está comprometido a proporcionar tecnología de desempeño comprobada e innovadora que en realidad... sea más que sólo potencia. Chevrolet Performance Parts están diseñadas, desarrolladas y probadas para exceder sus expectativas de ajuste y función. Por favor consulte nuestro catálogo respecto al Centro Autorizado de Chevrolet Performance Parts más cercano a usted o visite nuestra página en Internet www.chevroletperformance.com.

Esta publicación brinda información general sobre los componentes y procedimientos que pudieran ser útiles al instalar o dar servicio a su motor armado. Por favor lea esta publicación completa antes de comenzar el trabajo.

Este motor armado se ensambla utilizando componentes nuevos de primera calidad. Se basa en la arquitectura de la serie de motor de bloque pequeño LT4 Generación V de Cadillac 2016, y utiliza tecnologías modernas como bobina de ignición individual por cilindro e inyección directa de combustible.

Debido a la amplia gama de aplicaciones de bloque pequeño, si usted está actualizando una aplicación anterior de bloque pequeño, puede encontrar diferencias de instalación entre su ensamble de motor armado y la versión anterior. Estas diferencias pueden requerir modificaciones o componentes adicionales no incluidos con el motor, incluyendo sistemas de enfriamiento, combustible, eléctricos y del escape. Se puede requerir trabajo de fabricación.

El motor armado LT4 requiere un sistema de control del motor que está disponible con su concesionario de Chevrolet Performance Parts. Consulte con su concesionario o en www.chevroletperformance.com respecto a los paquetes del sistema de control que están disponibles actualmente.

No se pretende que estas especificaciones reemplacen las prácticas de servicio completas y detalladas explicadas en los manuales de servicio. Para información sobre cobertura de la garantía, por favor póngase en contacto con su concesionario local de Chevrolet Performance Parts.

Observe todas las precauciones de seguridad y advertencias de los manuales de servicio durante la instalación de un motor armado en cualquier vehículo. Utilice protección para los ojos y ropa de protección adecuada. Cuando trabaje debajo o alrededor del vehículo, apóyelo firmemente con soportes de gato. Sólo use las herramientas adecuadas. Tenga mucha precaución cuando trabaje con líquidos y materiales inflamables, corrosivos y peligrosos. Algunos procedimientos requieren equipo y habilidades especiales. Si no tiene la capacitación, experiencia, y herramientas apropiadas para realizar cualquier parte de esta conversión con seguridad, este trabajo debe ser realizado por un profesional.

Esta publicación ha sido diseñada para proporcionar información acerca de este motor armado y componentes relacionados. Este manual también describe procedimientos y modificaciones que pudieran ser útiles durante la instalación de un motor armado LT4. No está diseñada para sustituir a los exhaustivos manuales de servicio y catálogos de partes que cubren los motores y componentes Chevrolet Performance. Más bien, está diseñada para brindar información complementaria en áreas de interés para los entusiastas del "hágalo usted mismo" y los mecánicos. Esta publicación concierne a motores y vehículos que se utilizan fuera de las carreteras públicas, excepto cuando se indica específicamente lo contrario.

Información legal y sobre emisiones

La ley federal restringe el retiro de cualquier parte de un sistema de control de emisiones requerido por orden federal de los vehículos de motor. Más aún, muchos estados han promulgado leyes que prohíben alterar o modificar cualquier sistema de control de emisiones o ruidos. Los vehículos que no son operados en carreteras públicas generalmente están exentos de la mayoría de las normas, al igual que algunos vehículos de interés especial y pre-emisiones. Se le exhorta atentamente al lector verificar todas las leyes locales y estatales aplicables. Muchas de las partes descritas o enlistadas en este manual se comercializan para su aplicación fuera de carretera, y están etiquetadas con el "Aviso sobre Partes Especiales" que se reproduce aquí:

Aviso sobre partes especiales

Esta parte ha sido diseñada específicamente para aplicación fuera de carretera únicamente. Debido que la instalación de esta parte puede afectar el desempeño del control de emisiones de su vehículo o dejarlo fuera de certificación según los Estándares de seguridad de vehículos de motor, no se debe instalar en un vehículo que se utilice en cualquier calle o carretera. Adicionalmente, cualquier aplicación tal puede afectar adversamente la cobertura de la garantía de tales vehículos para aplicación en calles o carreteras.



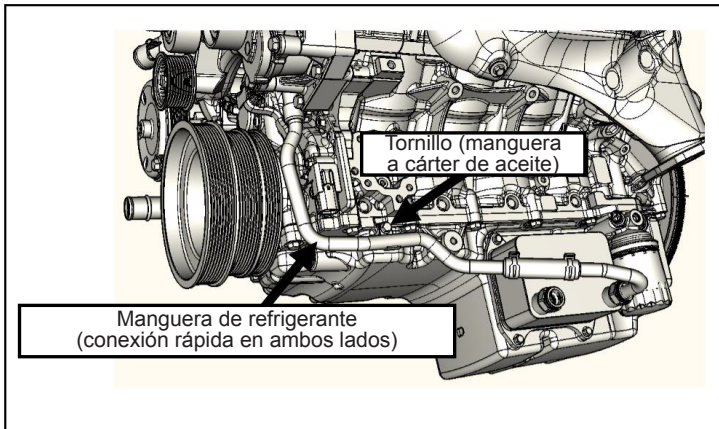
Contenido del Juego:

DESCRIPCIÓN	CANT.
MOTOR	1
TAPA-RELLENO DE ACEITE	1
ENSAMBLE DE TUBO-RELLENO DE ACEITE	1
MANGUERA-ENFRIADOR DE ACEITE	1
TORNILLO, MANGUERA A CÁRTER DE ACEITE	1
BOMBA-REFRIGERANTE	1

Manguera de refrigerante:

La manguera de refrigerante suministrada se encuentra entre el enfriador de aceite del motor y la bomba de refrigerante del motor. Tiene accesorios de conexión rápida en ambos extremos. Un perno incluido conecta el soporte de la manguera al cárter de aceite del motor. Vea la figura 1. Se puede comprar la manguera 12656725 para obtener el accesorio de conexión rápida para el otro lado del enfriador de aceite. Ese lado se debe conectar a la manguera de salida del radiador.

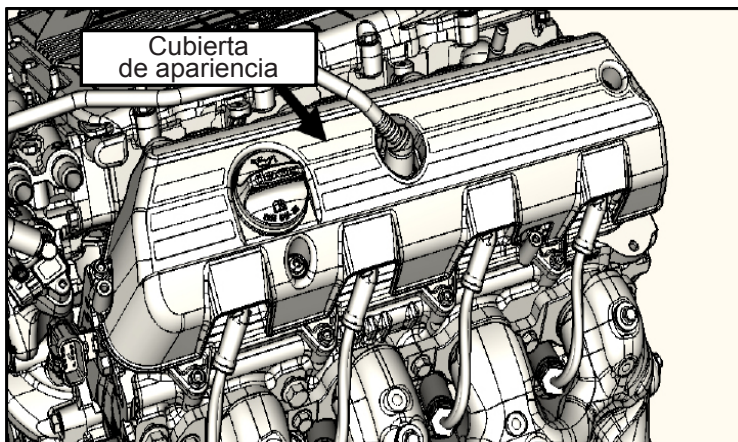
Fig. 1



Tubo de relleno de aceite

El tubo de relleno de aceite incluido es una parte de única instalación. Tiene una lengüeta que una vez que se instale no permitirá que el tubo se retire sin retirar la cubierta de la válvula. Las cubiertas de apariencia se pueden adquirir para un vehículo Cadillac CTS-V 2016 que cubre las cubiertas de válvula. Vea la figura 2 y 3.

Fig. 2



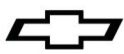
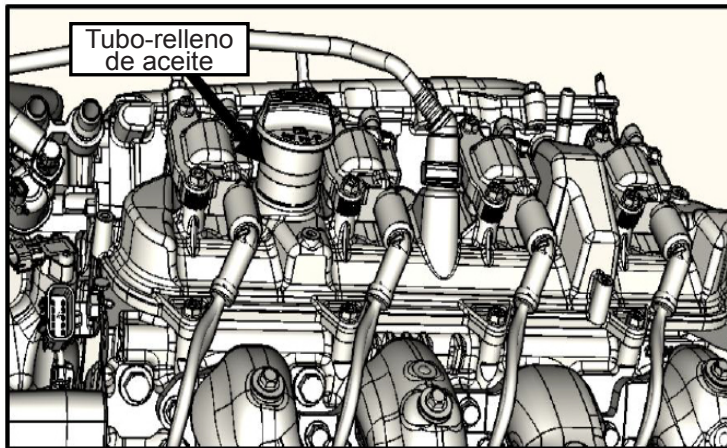


Fig. 3



Desactivación de cilindro - No se usa con juego de control de motor Chevrolet Performance

En producción, para proporcionar economía máxima de combustible bajo condiciones de conducción de carga ligera, el módulo de control del motor (ECM) ordenará que el sistema de desactivación de cilindro se encienda para desactivar los cilindros de motor 1, 7, 6 y 4, cambiando a modo V4. El motor operará en 8 cilindros, o modo V8, durante el arranque del motor, marcha en vacío del motor, y aplicaciones de acelerador medio a completo. Este sistema requiere muchas entradas (peso del vehículo, tamaño de llanta, relación de transmisión final, etc.) para funcionar adecuadamente. Estos parámetros se desconocen cuando se vende el juego de controlador de motor Chevrolet Performance. Debido a estos parámetros desconocidos así como la necesidad de afinar los montajes del motor y el sistema de escapa para operación en modos tanto V8 como V4. El juego de control de motor Chevrolet Performance desactiva esta función. El motor no se ha cambiado, así que el hardware de desactivación de cilindro todavía está presente.

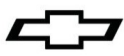
Sistema de ignición

El motor de bloque pequeño generación V tiene un codificador de posición de árbol de levas 58X avanzado para asegurar que la sincronización de ignición sea precisa durante su rango de operación. El anillo y sensor del cigüeñal 58X proporciona información más inmediata y precisa sobre la posición del cigüeñal durante la rotación. Esto permite que el ECM ajuste la sincronización de ignición con mayor precisión, lo que optimiza el desempeño y economía. Arrancar el motor también es más consistente en todas las condiciones de operación. En conjunto con la sincronización de cigüeñal 58X, la generación V aplica la tecnología de sincronización de leva digital más reciente. El sensor de leva está ubicado en la cubierta del motor delantero, y lee un objetivo de sensor 4X en el rotor de corrector de fase de árbol de levas que se conecta al extremo delantero del árbol de levas. El anillo objetivo tiene cuatro segmentos espaciados a igual distancia que comunican la posición del árbol de levas más rápido y con más precisión que los sistemas anteriores con un segmento sencillo. La medición 58X/4X dual asegura la sincronización extremadamente precisa durante la vida del motor. Además, proporciona un sistema de respaldo efectivo en el caso que falle un sensor.

Sensor de humedad de inducción de aire: Esta nueva característica asegura la eficiencia de combustión óptima, sin importar la humedad del aire alrededor.

Ignición de bobina sobre bujía: La ignición de bobina cerca de bujía individual de la generación V presenta bobinas avanzadas que son compactas y montadas sobre las cubiertas del balancín, aunque se colocan de manera diferente al motor generación IV. Una bobina individual para cada bujía entrega voltaje máximo y densidad de chispa consistente, sin variación entre los cilindros.

Bujías de punta de iridio: Las bujías tienen una punta de electrodo de iridio y un núcleo de iridio en el conductor, que ofrece mayor resistencia interna mientras mantiene una densidad de chispa óptima durante su vida útil. El diseño de electrodo mejora la eficiencia de combustión.



Sistema de combustible

Baja presión (Tanque de combustible a motor)

El sistema de producción usa un sistema de flujo/presión variable sin retorno que se ha incorporado en el juego de control del motor Chevrolet Performance. Un sistema de combustible sin retorno reduce la temperatura interna del tanque de combustible al controlar la velocidad de la bomba de combustible y no regresar combustible caliente desde el motor al tanque de combustible. Si usa el juego de control de motor Chevrolet Performance, se requiere una bomba de combustible con capacidad de modulación de ancho de pulso que descarga 500 kPa (72psi) a 45 galones por hora. Si no usa el sistema de control de motor Chevrolet Performance, entonces se debe usar una bomba de combustible y un regulador que descargue 500kPa (72psi) con 45 galones por hora de flujo.

Alta presión (en motor)

La alta presión de combustible necesaria para inyección directa es suministrada por la bomba de combustible de alta presión. La bomba de combustible de alta presión se instala en la parte trasera del motor bajo el múltiple de admisión y es accionada por la leva de tres lóbulos sobre el árbol de levas. La bombas de combustible de alta presión también regula la presión de combustible usando un actuador en la forma de una válvula controlada por solenoide interno que es controlada por el ECM.

Descripción de sistema de ventilación de cárter (LT4)

Se usa un sistema de ventilación positiva del cárter para purgar de manera más completa los vapores del cárter. El aire filtrado del ducto del sistema de inducción de aire es alimentado al cárter, se mezcla con los vapores de combustión y pasa a través de un dispositivo de medición de la ventilación del cárter antes de entrar al súper cargador. El componente primario en el sistema de ventilación positiva del cárter (PCV) es el dispositivo de medición de flujo de PCV (válvula u orificio). Los cambios de vacío dentro del súper cargador resultan en variaciones de flujo de los vapores succionados. Si se presentan condiciones de operación anormales, el diseño del sistema de PCV permite que cantidades excesivas de vapores a presión regresen a través del tubo de ventilación del cárter y hasta el sistema de inducción del motor que se consumirán durante la combustión normal. El diseño del sistema de ventilación del motor minimiza el consumo de aceite y reduce de manera significativa el potencial de ingestión de aceite durante maniobras de manejo de límite del vehículo. El motor LT4 utiliza un sistema de ventilación positiva del cárter (PCV) integral que está ubicado en el Ensamble del múltiple de aceite del elevador de válvula debajo del Ensamble del súper cargador. El Ensamble del múltiple de aceite del elevador de válvula contiene deflectores de separación de aceite compuestos y tubería de PCV. El aire fresco filtrado se dirige desde corriente arriba de la placa del acelerador al tanque de aceite del motor donde se mezcla con los gases del cárter y se transfiere a ambas cubiertas del brazo del balancín del motor. El diseño de las cubiertas del brazo del balancín protege contra el rocío de aceite del brazo del balancín, reduciendo con ello el potencial que el aceite sea succionado dentro del tanque durante el contraflujo del sistema de ventilación. Los vapores succionados se dirigen desde el ensamble del múltiple de aceite del elevador de la válvula a través de un orificio fijo (7.5 mm) dentro de un tubo de PCV de acero, después al lado inferior del súper cargador cerca del frente del ensamble del múltiple de aceite del elevador de válvula.

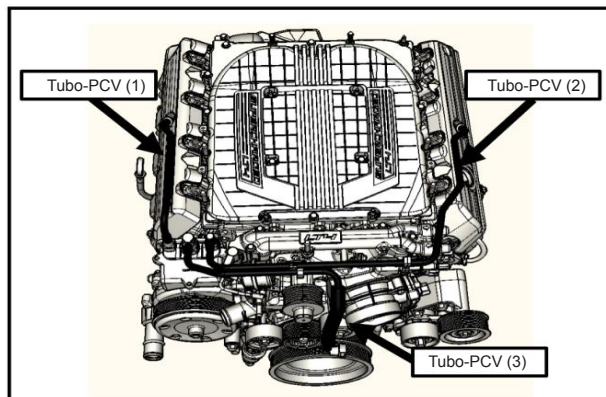
Las siguientes partes se pueden adquirir para ayudar en la conexión de PCV, vea la figura 4. El sistema debe suministrar aire filtrado al sistema de PCV. La conexión debe estar entre el medidor de Flujo de aire másico y el cuerpo del acelerador.

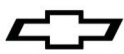
Tubo-PCV (1) 12644356

Tubo-PCV (2) 12668976

Tubo-PCV (3) 12647125

Fig. 4

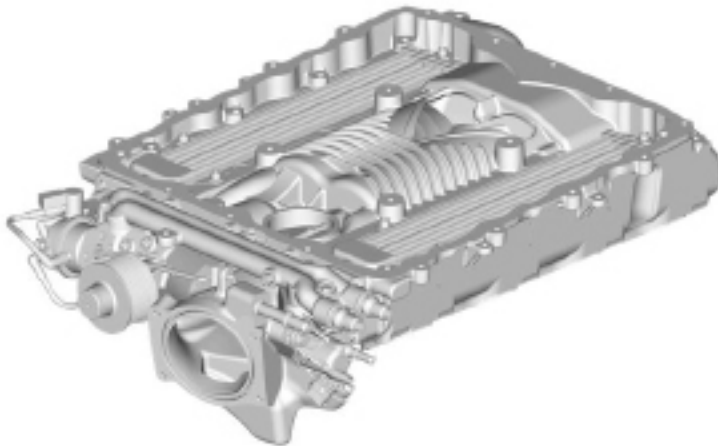




Sincronización de árbol de levas variable

Este motor tiene la capacidad de variar la posición del árbol de levas contra la posición del pistón. Si elige usar el juego de controlador de motor Chevrolet Performance, entonces variará la sincronización del árbol de levas para mejorar las emisiones y economía de combustible, mientras continúa produciendo gran potencia. En marcha en vacío, por ejemplo, la leva está en la posición completamente avanzada, lo que permite una marcha en vacío excepcionalmente regular. Bajo otras condiciones, el ajustador de fase se ajusta para entregar sincronización óptima de válvula para desempeño, capacidad de conducción y economía de combustible. En altas rpm puede retardar la sincronización para maximizar el flujo de aire a través del motor e incrementar los caballos de fuerza. En bajas rpm puede avanzar la sincronización para incrementar el par. Bajo cargas ligeras, puede retardar la sincronización en todas las velocidades del motor para mejorar la economía del combustible. Un ajustador de fase tipo aleta se instala en el frente del árbol de levas para cambiar su orientación angular en relación a la rueda dentada, ajustando con ello la sincronización de la operación de la válvula instantáneamente. Es un sistema de fase de levas dual igual que ajusta la sincronización del árbol de levas a la misma tasa para las válvulas tanto de admisión como de escape. El sistema permite la entrega lineal de par, con niveles casi pico sobre un amplio rango de rpm, y alta salida específica (caballos de fuerza por litro de desplazamiento) sin sacrificar la respuesta del motor o capacidad de conducción general. También proporciona otra herramienta efectiva para controlar las emisiones de escape.

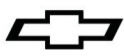
Descripción y operación de súper cargador LT4



Ensamble de múltiple de admisión/Súper cargador

El súper cargador tipo LT4 Roots es una bomba de desplazamiento positiva que consiste en 2 rotores en contra-rotación instalados en el alojamiento del múltiple de admisión inferior. Los rotores están diseñados con 4 lóbulos y un giro helicoidal. Los rotores del súper cargador están diseñados para operar a una holgura mínima, sin estar en contacto entre sí o con el alojamiento, y están sincronizados entre sí mediante un par de engranajes dentados de precisión, los cuales presionan los ejes del rotor. Los rotores se apoyan en cada extremo mediante cojinetes autolubricantes no reparables. La polea de la banda de transmisión se presiona en el eje de entrada. El eje de entrada está acoplado al eje del rotor. Tanto la polea de la banda como el acoplamiento del eje no pueden recibir servicio.

El alojamiento del múltiple de admisión superior tiene un interenfriador integrado. Enfriar el aire mejora la efectividad del súper cargador. El interenfriador usa refrigerante convencional en un sistema separado del sistema de enfriamiento del motor. El sistema de interenfriador incluye dos enfriadores de aire de carga/intercambiadores de calor, un ensamble de múltiple de agua, y una variedad de sensores para monitorear la temperatura y presión de aire. El múltiple de agua, ubicado al frente de la cubierta transfiere refrigerante a la cubierta por medio de cuatro tubos internos de transferencia. Los tubos de transferencia y el múltiple de agua están sellados con anillos O y sellos insertados a presión en su lugar. El refrigerante entra al puerto de admisión del ensamble del múltiple de agua, se dirige hacia adentro y a través de los dos enfriadores de aire de carga/intercambiadores de calor, y sale hacia atrás al múltiple de agua. El refrigerante después sale del puerto de salida del múltiple de agua regresando al sistema de enfriamiento separado. Los dos enfriadores de aire de carga/intercambiadores de calor no pueden recibir servicio.



Operación de súper cargador

El súper cargador está diseñado para incrementar la presión y densidad del aire en el múltiple de admisión. Cuando este aire se mezcla con la cantidad correcta de combustible, el resultado es más potencia desde el motor. Este aire en exceso crea una presión de refuerzo en el múltiple de admisión con un refuerzo de motor máximo de 66.9 kPa (9.7 psi). Debido a que el súper cargador es una bomba de desplazamiento positivo y es accionado directamente desde el sistema de banda de impulso del motor, la presión de refuerzo está disponible en todas las condiciones de conducción.

El solenoide de control de refuerzo es una válvula solenoide de vacío operada eléctricamente que está conectada al alojamiento del súper cargador. La válvula de tres vías es controlada por el módulo de control del motor (ECM). El ECM determina cuando la presión en el múltiple excede la presión de operación deseada y dirige la presión del múltiple al actuador de derivación. La presión del múltiple en el actuador abre la válvula de derivación y disminuye la presión de refuerzo.

El actuador de derivación es una válvula operada por vacío que está conectada a la señal de vacío entre el acelerador y la entrada del súper cargador. El vacío al actuador abre la válvula de derivación durante la marcha en vacío y condiciones de carga ligera para disminuir el refuerzo.

Sistema de aceite del motor

La lubricación del motor es suministrada por un ensamble de bomba de aceite tipo aspa de dos etapas de desplazamiento variable. Una válvula solenoide de control de aceite, controlada por el módulo de control del motor (ECM), instalada a la bomba de aceite proporciona funcionalidad de dos etapas. La bomba de aceite se instala en el frente del bloque del motor y se acciona directamente por la corona dentada del cigüeñal. El rotor de la bomba y las aspas giran y extraen aceite del cárter de aceite a través de una pantalla y tubo de recolección. El aceite está presurizado conforme pasa a través de la bomba y se envía a través de la galería de aceite inferior del bloque del motor.

El aceite presurizado se dirige a través de la galería de aceite inferior del bloque del motor al filtro de aceite de flujo pleno donde se retiran los contaminantes dañinos. Se incorpora una válvula de derivación en el filtro de aceite, que permite flujo de aceite en el caso que el filtro se restrinja.

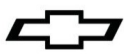
El aceite sale del filtro de aceite y después se dirige al enfriador de aceite externo. El enfriador de aceite externo es un enfriador de aceite de líquido a líquido (refrigerante de motor a aceite) y consiste en un cárter de aceite instalado en el núcleo y líneas de refrigerante que conectan el enfriador de aceite al circuito de enfriamiento del motor. Una válvula de derivación se incorpora en el ensamble del enfriador de aceite en el caso que el flujo de aceite dentro del enfriador se restrinja. Después el aceite se mueve a las galerías de aceite principal superiores y el ensamble del múltiple del elevador de válvula. El aceite de la galería de aceite superior izquierda se dirige al cigüeñal y cojinetes de árbol de levas. El aceite que ingresó a ambas galerías de aceite superiores principales también presuriza los ensambles del elevador de válvula y después se bombea a través de las varillas de empuje para lubricar los brazos de balancín de válvula y vástagos de válvula. El aceite que regresa al cárter es dirigido por el deflector de aire del cigüeñal. El sensor de presión de aceite se localiza en la parte superior delantera del motor.

Un pasaje de aceite en la ubicación 2 del cojinete del árbol de levas permite flujo de aceite dentro del centro del árbol de levas. El aceite entra al árbol de levas saliendo en el frente y dentro de la válvula solenoide del actuador de posición de árbol de levas (CMP). La posición del carrete de la válvula de CMP es controlada por el módulo de control del motor (ECM) y el imán de CMP. Cuando lo ordena el ECM, el imán de CMP vuelve a posicionar el carrete de la válvula solenoide del actuador de CMP dirigiendo el aceite presurizado dentro del actuador de CMP para controlar la sincronización de la válvula.

Enfriamiento de tren motriz

Tipo de refrigerante

Mezcla 40/60 de refrigerante/agua potable limpia y uso de Refrigerante DEX-COOL® únicamente.

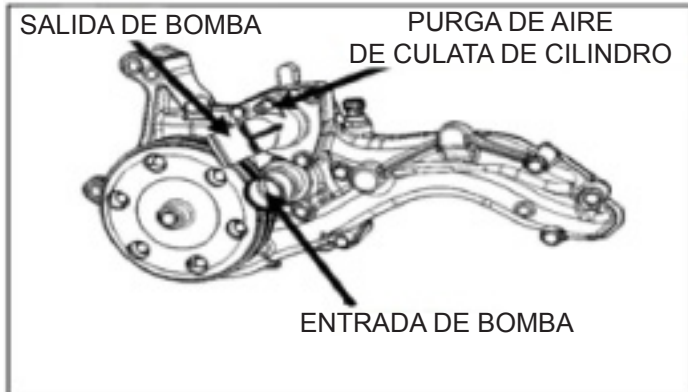


Sistema de enfriamiento de motor

Se recomienda un tanque de expansión para retirar el aire del refrigerante del motor, siempre y cuando el radiador o el tanque de expansión sea el punto más alto en el sistema, entonces el aire se evacuará del refrigerante. El punto más alto, lo que significa que el radiador o el tanque de expansión tienen una porción más alta que la parte superior de las culatas de cilindro. De lo contrario, entonces se puede atrapar aire dentro de las culatas de cilindro y causar que partes de las culatas de cilindro se sobrecalienten, lo que será perjudicial para el desempeño y longevidad del motor. El refrigerante se extrae de la salida del radiador y dentro de la entrada de la bomba de agua por la bomba de agua. Entonces se bombeará un poco de refrigerante desde la bomba de agua, al núcleo del calentador, y después de regreso a la bomba de agua. Esto proporciona calor y descongelamiento al compartimiento de pasajeros. También se bombea refrigerante a través de la salida de la bomba de agua y dentro del bloque del motor. En el bloque del motor, el refrigerante circula a través de las camisas de agua que rodean los cilindros donde absorbe calor. El refrigerante entonces se fuerza a través de las aberturas del empaque de la culata de cilindro y dentro de éstas. En las culatas de cilindro, el refrigerante fluye a través de las camisas de agua que rodean las cámaras de combustión y los asientos de válvula, donde absorbe calor adicional. Desde las culatas de cilindro, el refrigerante se fuerza al termostato. El flujo de refrigerante se detendrá en el termostato hasta que el motor esté caliente, o fluirá de a través del termostato y dentro del radiador donde se enfría y se completa el ciclo de refrigerante.

Se necesita enrutar la purga de aire de la culata de cilindro al punto más alto en el sistema de enfriamiento. Esto ayudará a retirar aire de las culatas de cilindro (Figura 5).

Fig. 5



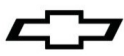
Se puede comprar la manguera 22768503 para obtener las conexiones rápidas de entrada/salida del calentador, cuando se crea una instalación personalizada (Figura 6).

Fig. 6



Enfriamiento de aceite de motor

El motor como se entrega viene con un enfriador de aceite de motor líquido a líquido. El aceite del motor se bombea a través del enfriador y el refrigerante del motor se bombea a través del enfriador, para transferir el calor del aceite del motor al refrigerante del motor. El refrigerante del motor se debe enrutar a la porción inferior del radiador, o la manguera de entrada de la bomba de refrigerante. En calor entonces se retira por el radiador del motor.



El motor LT4 Generación V presenta enfriamiento de pistón de rocío de aceite, en el que ocho chorros de rocío de aceite en el bloque del motor empapan la parte inferior de cada pistón y la pared del cilindro adyacente con una capa adicional de aceite de enfriamiento y reducción de fricción. El rocío de aceite reduce la temperatura del pistón, promoviendo una salida extrema y durabilidad a largo plazo. La capa adicional de aceite sobre las paredes del cilindro y pasador de muñeca también aminora el ruido que se origina desde los pistones.

Cojinete piloto

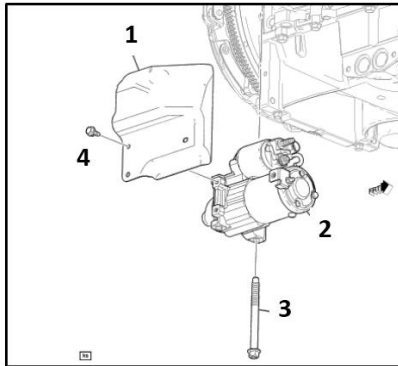
Debe instalar un cojinete piloto en la parte trasera del cigüeñal, si el motor se va a usar con una transmisión manual. El cojinete piloto alinea el eje de entrada de la transmisión con la línea central del cigüeñal. Un cojinete piloto gastado o mal alineado puede causar problemas con los cambios y un desgaste rápido del embrague. Hay dos diferentes cojinetes piloto Chevrolet para el LT4. 14061685 es para transmisión de eje de entrada largo y 12557583 es para transmisión de eje de entrada corto. Verifique el ajuste antes de instalar la transmisión u ocurrirá daño.

Motor de arranque

No se proporciona un motor de arranque con el motor. Las siguientes partes están diseñadas para el sistema de arranque LT4 (Figura 7).

PARTIDA	DESCRIPCIÓN	NÚMERO DE PARTE	CANTIDAD
1	Protector-motor de arranque	12656132	1
2	Motor de arranque	12619241	1
3	Perno-motor de arranque	11610787	2
4	Perno-protector de calor	11588711	3

Fig. 7

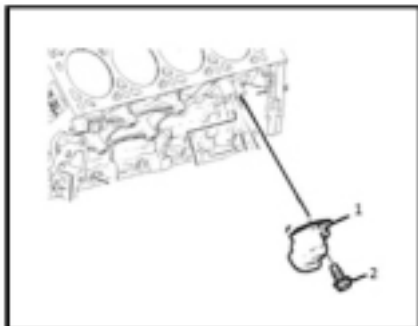


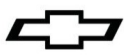
Protector de calor de sensor de detonación

El sistema de protección usa un protector de calor para proteger el sensor de detonación del lado del conductor. Esto se debe a la proximidad cercana del múltiple de escape al sensor de detonación. Si se requiere para su aplicación, las partes se indican en (Figura 8).

PARTIDA	DESCRIPCIÓN	NÚMERO DE PARTE	CANTIDAD
1	Protector-sensor de detonación	12640390	1
2	Perno-protector de calor	11519976	1

Fig. 8

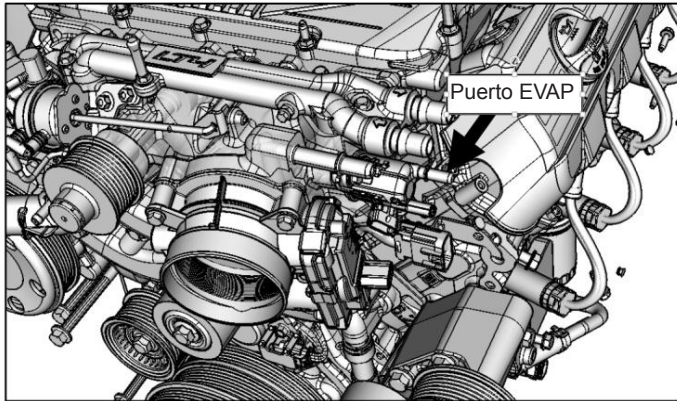




Válvula de emisiones de evaporación

El sistema de emisiones de evaporación se puede usar con el juego de control de motor Chevrolet Performance, pero no se requiere para la operación correcta del motor. Este puerto se debe tapar o conectar a un depósito de vapor. (Figura 9)

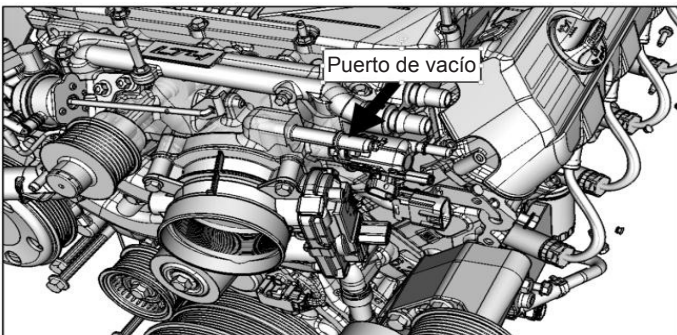
Fig. 9



Puerto de vacío

Hay un puerto de vacío que se puede usar para frenos asistidos por vacío. Se necesita conectar al reforzador de freno o taparse, vea la figura 10.

Fig. 10



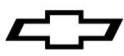
Sistema de enfriamiento de aire de carga (LT4)

Este juego contiene una bomba de refrigerante de aire de carga. La bomba es controlada por el sistema de control del motor Chevrolet Performance Parts. La función de los sistemas de enfriamiento de aire de carga es reducir la temperatura de la carga de aire que se calienta durante el proceso de súper carga que mejora la eficiencia y desempeño del tren motriz. El sistema de enfriamiento de aire de carga es un sistema de aire a refrigerante que usa un radiador de enfriamiento de aire de carga separado. Se usa una bomba eléctrica para hacer fluir el refrigerante desde el enfriador de aire de carga (específico del vehículo), a través del súper cargador, y de regreso al enfriador de aire de carga donde se repite el ciclo.

Procedimientos de arranque y de asentamiento.

Sólo use aceite de motor con licencia de especificación dexos1® del grado de viscosidad SAE adecuado. Se recomienda la Mezcla Sintética AC Delco dexos1. Para eventos en pista o conducción competitiva, use aceite de motor Mobil 1® 15W-50. La seguridad es primero, si el vehículo está en el suelo, asegúrese de poner el freno de emergencia y de que las ruedas y la transmisión estén bloqueadas. Verifique que todo esté instalado correctamente y que no falte nada.

Este conjunto del motor necesita llenarse con aceite. Después de instalar el motor, asegúrese de que el cárter haya sido llenado con el aceite para motor adecuado hasta el nivel de llenado de aceite recomendado en la varilla de nivel. Este motor armado requiere un aceite especial que cumpla con dexos1. También revise y rellene según se requiera cualquier otro fluido necesario como refrigerante, fluido de la dirección hidráulica, etc.



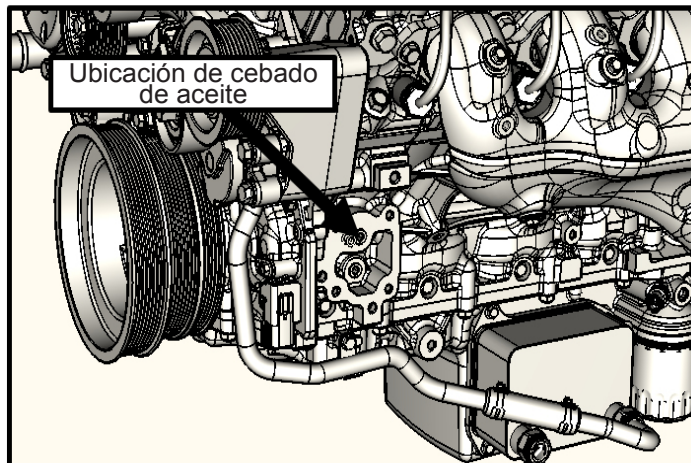
Al motor se le debe aplicar una capa de aceite antes de arrancar. Instale un manómetro de aceite (hay un puerto tapado que se puede usar para medir mecánicamente la presión del aceite y para cebar de forma forzada el sistema con la herramienta de cebado Kent More J45299, vea la Figura 9/10).

Fig. 9

Pre-lubricador de motor J45299



Fig. 10



Si la herramienta de cebado no está en uso, entonces desconecte el sistema de control de ignición (por lo general se recomienda quitar la energía del módulo de control de ignición, pero revise la información de su sistema de control de ignición respecto a detalles adicionales).

Nota: Retirar las bujías permitirá que el motor gire más rápido y que se acumule presión de aceite más rápidamente.

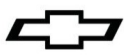
Una vez que se ha desconectado el sistema de control de ignición, arranque el motor utilizando el motor de arranque durante 10 segundos y revise si hay presión de aceite. Si no hay presión, espere 30 segundos y encienda de nuevo el motor por 10 segundos.

Repita este proceso hasta que el medidor indique la presión del aceite.

Vuelva a conectar el sistema de control de ignición. Arranque el motor y escuche si percibe ruidos inusuales. Si no oye ruidos inusuales, acelere el motor a aproximadamente 1,000 RPM hasta alcanzar una temperatura de operación normal.

Cuando sea posible, siempre debe permitir que el motor se caliente antes de empezar a conducir. Es una buena práctica dejar que la temperatura del cárter del aceite y del agua llegue a 180°F antes de levantar cargas pesadas o de acelerar a fondo.

El motor se debe conducir con diversas cargas y en diferentes condiciones las primeras 30 millas o una hora sin acelerador completamente abierto (WOT) o sin aceleraciones sostenidas a RPM altas.



Acelere cinco o seis veces a la mitad (50%) hasta unas 4,000 RPM y regrese a marcha en vacío (0% aceleración) con la velocidad puesta.

Acelere dos o tres veces a fondo (100% acelerador completamente abierto) hasta unas 4,000 RPM y regrese a marcha en vacío (0% aceleración) con la velocidad puesta.

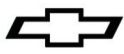
Cambie el aceite y el filtro. Cambie el aceite conforme a la especificación del paso 1 y sustituya el filtro con un filtro de aceite nuevo PF64 AC Delco. Revise si el aceite o el filtro tiene partículas extrañas para asegurar que el motor funcione correctamente.

Conduzca las siguientes 500 millas (12 a 15 horas del motor) en condiciones normales. No opere el motor a su capacidad de velocidad máxima. De igual manera, no exponga el motor a periodos largos de carga pesada.

Cambie el aceite y el filtro. Nuevamente, revise si el aceite y filtro de aceite tienen partículas extrañas para asegurar que el motor funcione correctamente.

Especificaciones del motor LT4:

Tipo:.....	Gen V Bloque pequeño V8
Desplazamiento:.....	376 pulgadas cúbicas (6.2 litros).
Barreno x carrera:.....	4.065" (103.25 mm) X 3.622" (92 mm)
Compresión:.....	10.0:1
Bloque:.....	Aluminio fundido, tapas principales con pernos en cruz de seis pernos
Culata del motor:.....	Puerto rectangular de aluminio fundido
Diámetro de válvula (Admisión/escape):.....	2.13"/1.59" (54mm/40.4mm)
Volumen de la cámara:.....	65.5cc
Cigüeñal:.....	Acero forjado, balanceado internamente
Bielas:.....	Metal forjado en polvo
Pistones:.....	Aluminio forjado
Árbol de levas:.....	Levantador hidráulico del rodillo
Elevación:.....	0.502" admisión, 0.561" escape
Duración:.....	188° admisión, 223° escape @ .050" de elevación del levantador
Línea central:.....	120° Ángulo de separación del lóbulo (LSA)
Relación del brazo balancín:.....	1.81:1
Capacidad de aceite con filtro:.....	7.0 cuartos (6.6 litros)
Presión de aceite (Mínima, con aceite caliente):.....	6 psig @ 1000 RPM
.....	18 psig @ 2000 RPM
.....	24 psig @ 4000 RPM
Aceite recomendado:.....	DEXOS 5W30 o Mobil1 15W-50
Filtro de aceite:.....	AC Delco Parte # PF64



Combustible: Premium sin plomo - 92 (R+M/2)

Velocidad máxima del motor:..... 6600 RPM

Bujías:..... Chevrolet 12642722

..... AC Delco # 41-128

Distancia entre bujías:..... 0.037-0.043" (0.95-1.10 mm)

Orden de explosión:..... 1-8-7-2-6-5-4-3

La información puede variar según la aplicación. Todas las especificaciones enumeradas están basadas en la información sobre la última producción disponible al momento de la impresión.