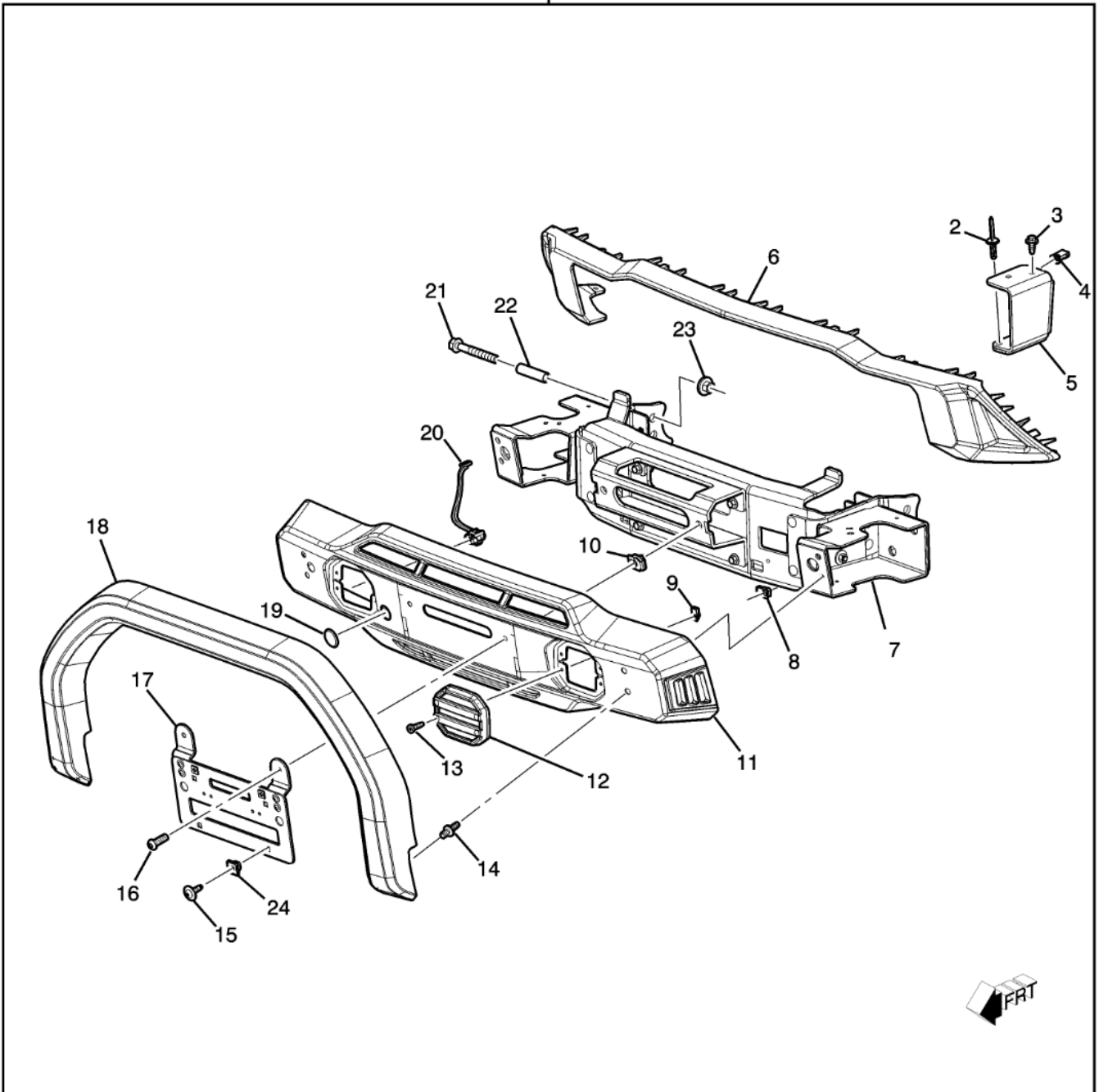


C - Chevrolet>2024>4 - 14B - Colorado>07 - FRAMES-SPRINGS-SHOCKS-BUMPERS-FASCIAS>(U421-046) 2024 4E BUMPER/FRONT (DEALER INSTALLED, OFF-ROAD SD0)

 =  Single Use Part

U421-046 07/07/2023

1



Make: Chevrolet

Year: 2024

Model: Colorado

C - Chevrolet>2024>4 - 14B - Colorado>07 - FRAMES-SPRINGS-SHOCKS-BUMPERS-FASCIAS>(U421-046) 2024 4E BUMPER/FRONT (DEALER INSTALLED, OFF-ROAD SD0)

Call	Part #	Group	H	Description	Usage	Year	Qty
1	87829211	07.831		FASCIA PKG, FRT BPR LWR (INSTALL 4.00 FOR OFF ROAD BUMPER FASCIA WITH SAFARI ONLY (WITHOUT WINCH ASSEMBLY) (INCLS 2-24) (BLACK) (36.0839 KG)	4E (43) (SD0)	2024 - 2024	01
2	11516807	21.149		RIVET, FRT BPR FASCIA (PART OF 1,5) (BLACK) (4.8 DIA, 19.9 LONG, 16 OD,5-5.25 HOLE, 1-9 GRIP RANGE, AL) (8.967) (SERVICEABLE COMPONENT OF FASCIA PKG 87829211/13) (Service Lane Part)	4E,4F,4G,4H (43)	2024 - 2024	AR
3	11547755	21.049		BOLT, FRT BPR LWR IMP BAR (PART OF 1,5) (M4.2X1.4X20) (SCREW-HEXWASH, 7 SOCKET,FLAT WSHR OD 12.5) (8.977) (SERVICEABLE COMPONENT OF FACIA PKG 87829211) (Service Lane Part)	4E (43)	2024 - 2024	04
4	11515638	21.049		NUT, FRT BPR LWR IMP BAR SUPT REINF (PART OF 1,5) (4.2X1.41X6.1) (NUT-TYPE DL WIDE RANGE U-SHAPE) (8.921) (SERVICEABLE COMPONENT OF FASCIA PKG 87829211) (Service Lane Part)	4E (43)	2024 - 2024	04
5	85578729	21.149		BRACKET, FRT BPR FASCIA LWR STFNR (PART OF 1) (INCLS 2-4) (CONTAINS BOTH LH & RH BRACKETS) (7.831) (SERVICEABLE COMPONENT OF FASCIA PKG 87829211)	4E (43)	2024 - 2024	01
6		21.049		MOLDING, FRT BPR FASCIA (PART OF 1)		2024 - 2024	
7		NS		BAR, FRT BPR IMP (PART OF 1)		2024 - 2024	
8		NS		NUT, FRT BPR UPR FASCIA (PART OF 1)		2024 - 2024	
9		NS		NUT, FRT FOG LP OPG CVR (PART OF 1,12)		2024 - 2024	
10		NS		NUT, FRT BPR LWR FASCIA BRKT (PART OF 1)		2024 - 2024	
11		NS		PLATE PKG, FRT BPR FASCIA SKID (PART OF 1)		2024 - 2024	
12	42784986	21.270	R	COVER, FRT FOG LP OPG (PART OF 1) (INCLS 9,13) (BLACK) (2.722) (SERVICEABLE COMPONENT OF FASCIA PKG 87829211)	4E (43)	2024 - 2024	01

Call	Part #	Group	H	Description	Usage	Year	Qty
12	42784987	21.270	L	COVER, FRT FOG LP OPG (PART OF 1) (INCLS 9,13) (BLACK) (2.722) (SERVICEABLE COMPONENT OF FASCIA PKG 87829211)	4E (43)	2024 - 2024	01
13		NS		BOLT, FRT BPR FASCIA (PART OF 1,12)		2024 - 2024	
14		NS		RETAINER, FRT BPR IMP BAR BLACKOUT CVR (PART OF 1)		2024 - 2024	
15		NS		RETAINER, FRT LIC PLT (PART OF 1,17)		2024 - 2024	
16		NS		BOLT, FRT LIC PLT BRKT (PART OF 1)		2024 - 2024	
17	86774711	21.301		BRACKET, FRT LIC PLT (PART OF 1) (INCLS 15,24) (BLACK) (7.800) (SERVICEABLE COMPONENT OF FACIA PKG 87829211)	4E (43)	2024 - 2024	01
18		NS		BAR, FRT BPR IMP (PART OF 1)		2024 - 2024	
19	86774708	21.049		COVER, FRT BPR FASCIA TOW EYE ACC HOLE (PART OF 1) (BLACK) (7.831) (SERVICEABLE COMPONENT OF FACIA PKG 87829211)	4E (43)	2024 - 2024	01
20		NS		HARNESS PKG, ACSRY WRG (PART OF 1) (*KIT1)		2024 - 2024	
21		21.149		BOLT, FRT BPR FASCIA (PART OF 1) (8.900) (Service Lane Part)		2024 - 2024	04
22		NS		SPACER, FRT BPR FASCIA (PART OF 1) (*KIT1)		2024 - 2024	
23		21.149		NUT, FRT BPR FASCIA (PART OF 1) (7.874)		2024 - 2024	04
24		NS		NUT, FRT LIC PLT BRKT (PART OF 1,17)		2024 - 2024	
K01	85023479	21.149		ATTACHMENT PKG, FRT BPR FASCIA EXTN (INCLS 20-23) (7.831) (SERVICEABLE COMPONENT OF FACIA PKG 87829211)	4E (43)	2024 - 2024	01