

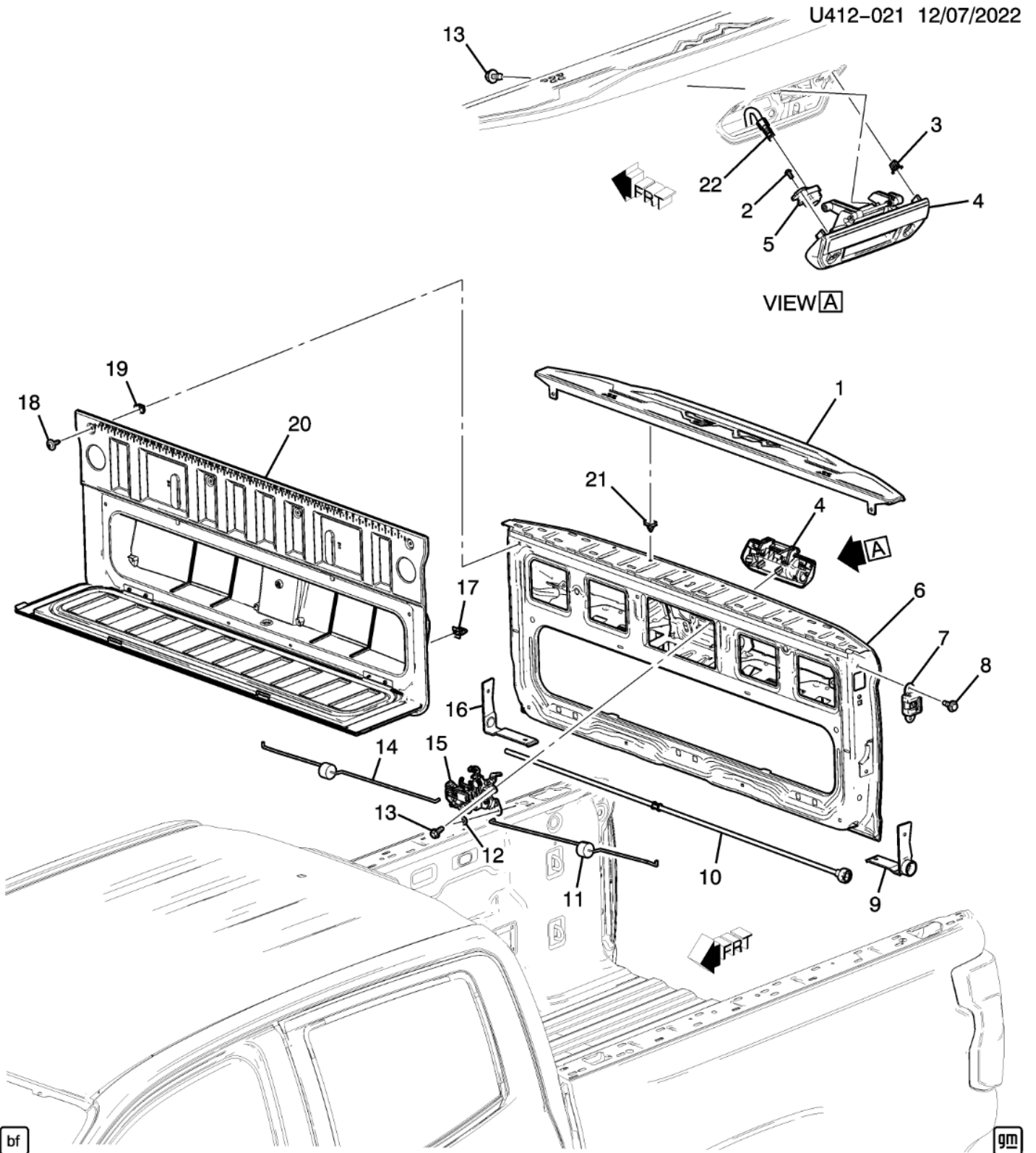


C - Chevrolet>2023>4 - 14B - Colorado>12 - BODY MOLDINGS-CAB SHEET METAL-PICKUP BOX-ROOF HARDWARE>(U412-021) 2023-2024 4 ENDGATE (TAILGATE STOWAGE BPC, TAILGATE ASSIST PPA)

 =  Single Use Part

U412-021 12/07/2022



Make: Chevrolet

Year: 2023

Model: Colorado

C - Chevrolet>2023>4 - 14B - Colorado>12 - BODY MOLDINGS-CAB SHEET METAL-PICKUP BOX-ROOF HARDWARE>(U412-021) 2023-2024 4 ENDGATE (TAILGATE STOWAGE BPC, TAILGATE ASSIST PPA)

Call	Part #	Group	H	Description	Usage	Year	Qty
1	84777541	12.182		MOLDING, PUBX E/GATE (INCLS 21)	4 (43)	2023 - 2023	01
2	11611112	09.715		BOLT, RR VIEW CAMERA (PART OF 4) (M4X1.46X10.6) (SCREW-PAN, 9 THD, 9OD) (ACDelco #11611112)	4 (43) (BDR,E63,UVB)	2023 - 2024	02
3	11611554	12.242		RETAINER, PUBX E/GATE LAT HDL BZL (PART OF 4) (12 X 15 X 13) (14.204) (Service Lane Part)	4 (43)	2023 - 2024	02
4	84785245	12.180		HANDLE, PUBX E/GATE LAT (INCLS 2,3,5) (ACDelco #84785245) (Service Lane Part)	4 (43) (BDR,E63,UVB)	2023 - 2024	01
4	84847245	12.180		HANDLE, PUBX E/GATE LAT (INCLS 2,3,5) (ACDelco #84847245) (Service Lane Part)	4C,4E,4F,4G (43) (E63,UVB) (EXC BDR)	2023 - 2024	01
4	86785481	12.180		HANDLE, PUBX E/GATE LAT (INCLS 2,3,5) (INCLUDES REAR VIEW CAMERA) (ACDelco #86785481) (Service Lane Part)	4 (43) (BDR,E63,UV2)	2023 - 2024	01
5	85538326	09.715		CAMERA, RR VIEW DRVR INFO (PART OF 4) (ACDelco #85538326) (LABELED 85538326)	4C,4E,4F,4G (43) (E63,UVB) (EXC BDR)	2023 - 2023	01
5	85538326	09.715		CAMERA, RR VIEW DRVR INFO (PART OF 4) (ACDelco #85538326) (LABELED 85538326)	4G,4H (43) (BDR,E63,UVB)	2023 - 2023	01
5	85538326	09.715		CAMERA, RR VIEW DRVR INFO (PART OF 4) (ACDelco #85538326) (LABELED 85538326)	4M,4P (43) (BDR,E63,UVB)	2023 - 2023	01
5	85538326	09.715		CAMERA, RR VIEW DRVR INFO (PART OF 4) (ACDelco #85538326) (LABELED 85538326)	4C,4E,4F (43) (BDR,E63,UVB)	2023 - 2023	01
5	86518927	09.715		CAMERA, RR VIEW DRVR INFO (PART OF 4) (ACDelco #86518927) (LABELED 86518927)	4G,4H (43) (BDR,E63,UVB)	2023 - 2024	01
5	86518927	09.715		CAMERA, RR VIEW DRVR INFO (PART OF 4) (ACDelco #86518927) (LABELED 86518927)	4C,4E,4F,4G (43) (E63,UVB) (EXC BDR)	2023 - 2024	01
5	86518927	09.715		CAMERA, RR VIEW DRVR INFO (PART OF 4) (ACDelco #86518927) (LABELED 86518927)	4C,4E,4F (43) (BDR,E63,UVB)	2023 - 2024	01

Call	Part #	Group	H	Description	Usage	Year	Qty
5	86518927	09.715		CAMERA, RR VIEW DRVR INFO (PART OF 4) (ACDelco #86518927) (LABELED 86518927)	4M,4P (43) (BDR,E63,UVB)	2023 - 2024	01
6	84785226	12.195		GATE, PUBX END (INCLS 9,10,16)	4 (43) (E63,PPA)	2023 - 2024	01
7	85585184	12.242	R	LATCH, PUBX E/GATE (ACDelco #85585184)	4 (43) (E63)	2023 - 2024	01
7	85585183	12.242	L	LATCH, PUBX E/GATE (ACDelco #85585183)	4 (43) (E63)	2023 - 2024	01
8	11609942	12.242		BOLT, PUBX E/GATE LAT (8.900) (Service Lane Part)	4 (43) (E63)	2023 - 2024	02
9	84785255	12.184	L	HINGE, PUBX E/GATE CLSR SI (PART OF 6) (ACDelco #84785255)	4 (43) (E63,PPA)	2023 - 2024	01
10	85575908	12.180		ROD, PUBX E/GATE TORQ (PART OF 6) (ACDelco #85575908) (Service Lane Part)	4 (43) (E63,PPA)	2023 - 2024	01
11	85585186	12.180	L	ROD, PUBX E/GATE LAT (ACDelco #85585186) (Service Lane Part)	4 (43) (E63)	2023 - 2024	01
12	11546456	12.243		NUT, PUBX E/GATE LK ACTR (M6X1) (NUT-HEX W/CONICAL WSHR) (10.240)	4 (43)	2023 - 2024	02
13	11588711	12.242		BOLT, PUBX E/GATE LAT HDL (M6X1X16, 14.2 OD) (HFH) (10 THD, 8.8 STL) (8.900) (Service Lane Part)	4 (43) (E63)	2023 - 2024	02
14	85585185	12.180	R	ROD, PUBX E/GATE LAT (ACDelco #85585185) (Service Lane Part)	4 (43) (E63)	2023 - 2024	01
15	84785242	12.243		ACTUATOR, PUBX E/GATE LK (ACDelco #84785242) (Service Lane Part)	4G,4H (43) (E63) (EXC A91)	2023 - 2023	01
15	84785242	12.243		ACTUATOR, PUBX E/GATE LK (ACDelco #84785242) (Service Lane Part)	4C,4E,4F (43) (E63) (EXC A91)	2023 - 2023	01
15	84785243	12.243		ACTUATOR, PUBX E/GATE LK (ACDelco #84785243) (Service Lane Part)	4 (43) (A91,E63)	2023 - 2024	01
16	85658892	12.184	R	HINGE, PUBX E/GATE CLSR SI (PART OF 6) (ACDelco #85658892)	4 (43) (E63,PPA)	2023 - 2024	01
17		NS		RETAINER, E/GATE PNL (PUSH IN) (PART OF 20)		2023 - 2024	

Call	Part #	Group	H	Description	Usage	Year	Qty
18	11570637	12.179		BOLT, E/GATE INR PNL ACC HOLE CVR (M4.2X1.41X20) (TORX T20) (17 OD) (12.182) (Service Lane Part)	4 (43) (E63)	2023 - 2024	08
19	11570654	12.243		NUT, L/GATE LAT ACTR (M4.2X1.41X6.9) (PUSH-IN NUT) (FITS 8.75 SQ HOLE) (9.665) (Service Lane Part)	4 (43)	2023 - 2024	04
20	87829048	12.179		COMPARTMENT, PUBX E/GATE ACC HOLE (INCLS 17) (FULL COMPARTMENT ASM INCLUDES LID, HINGES & HANDLES)	4 (43) (BPC,E63)	2023 - 2024	01
21	19352782	12.182		RETAINER, PUBX E/GATE MLDG (PART OF 1) (12X20 W/18 OD SEAL) (PKG OF 20 RETAINERS)	4 (43)	2023 - 2024	06
22		13.090		HARNESS, E/GATE WRG (SEE GROUP 02 \"WIRING HARNESS/ENDGATE\" FOR DETAILED ILLUSTRATED VIEW)		2023 - 2024	