

Off Road Lamp Package Installation

Installation Instructions Part Number

84860362

Preliminary Procedures

Warning: Always ensure the Battery Maintenance Mode is inactive before disconnecting the low voltage 12 volt battery (or batteries). This mode can be active with the ignition off, regardless of whether the vehicle charging cord is plugged in or not. When this mode is active, the on-board high voltage battery charger(s) will energize the 12 volt battery cables and charge the 12 volt battery (or batteries). Disconnecting any battery cables while this mode is active may result in an electrical shock or a burn from hot battery cable leads.

1. Check the 12 volt battery voltage with a digital multimeter before disconnecting any battery cables leads. If the voltage is 13.5 volts or above, the Battery Maintenance Mode is active. The technician must wait for the T18 battery charger to deactivate before disconnecting the battery negative cable.

[Charging System Description and Operation](#)

2. Disconnect the 12 volt negative battery cable. Refer to [Battery Negative Cable Disconnection and Connection](#) in Vehicle Service Manual.

Note: This accessory requires the battery distribution engine compartment fuse block and must be purchased separately.

3. Install the battery distribution engine compartment fuse block. Refer to [Battery Distribution Engine Compartment Fuse Block Package Installation](#) in Vehicle Accessory Installation Manual.

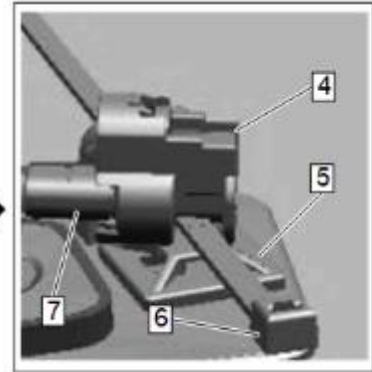
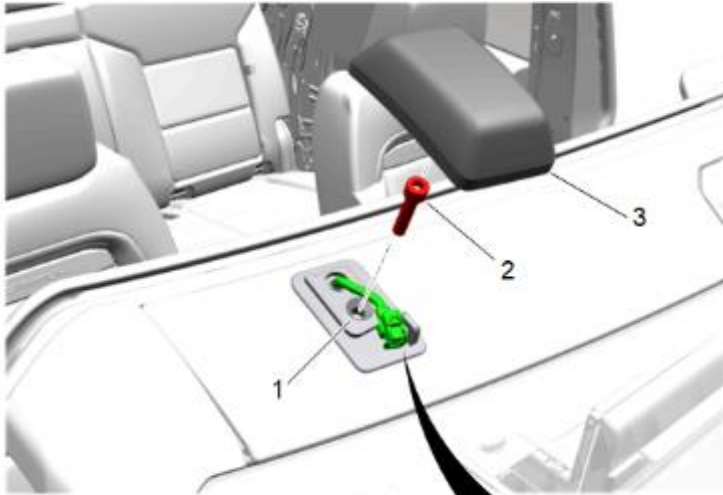
Note: This accessory requires the accessory wiring harness and must be purchased separately.

4. Install the accessory wiring harness. Refer to instruction ID: 86816617 [Accessory Wiring Harness Package Installation](#) in Vehicle Accessory Installation Manual.

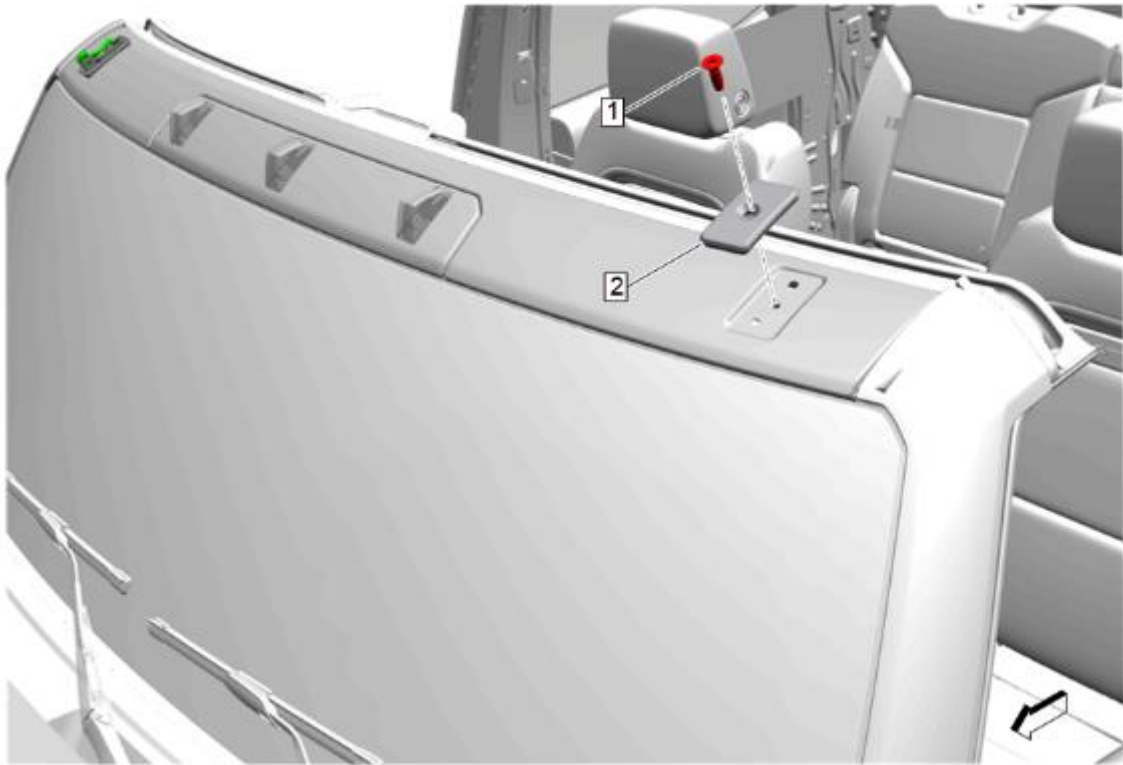
5. Read all instructions before performing procedure.

6. Inspect KIT to verify all parts are included.

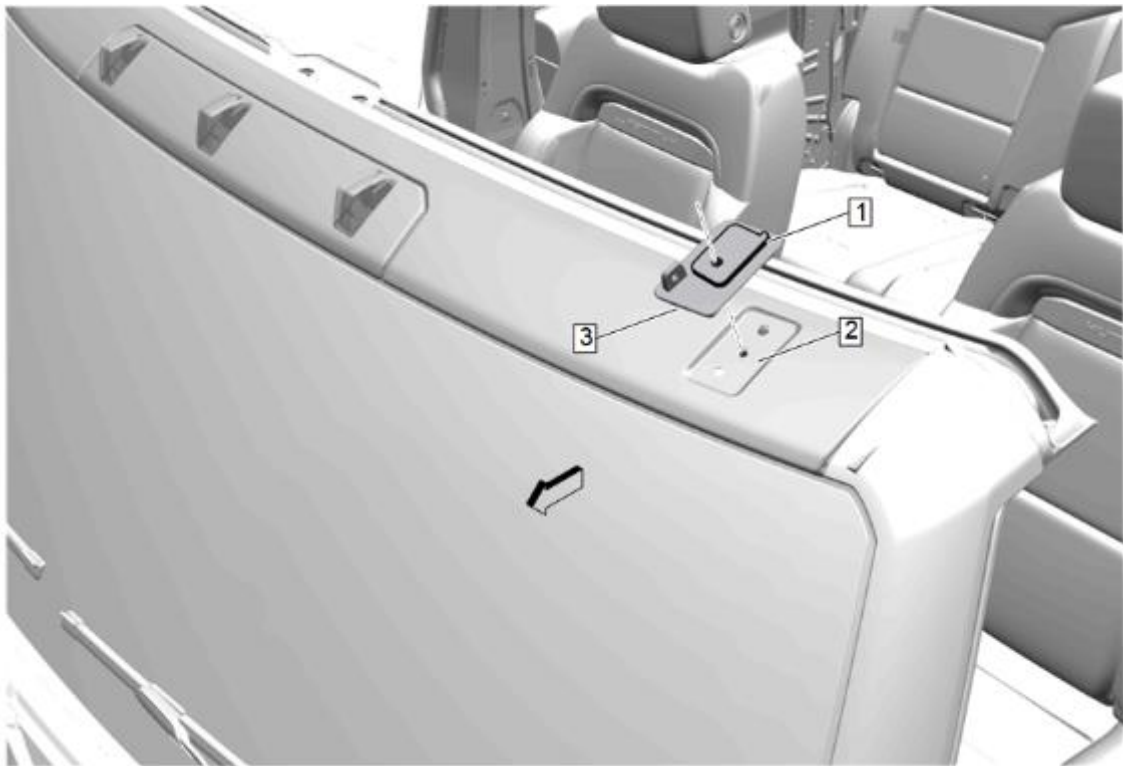
[Procedure](#)



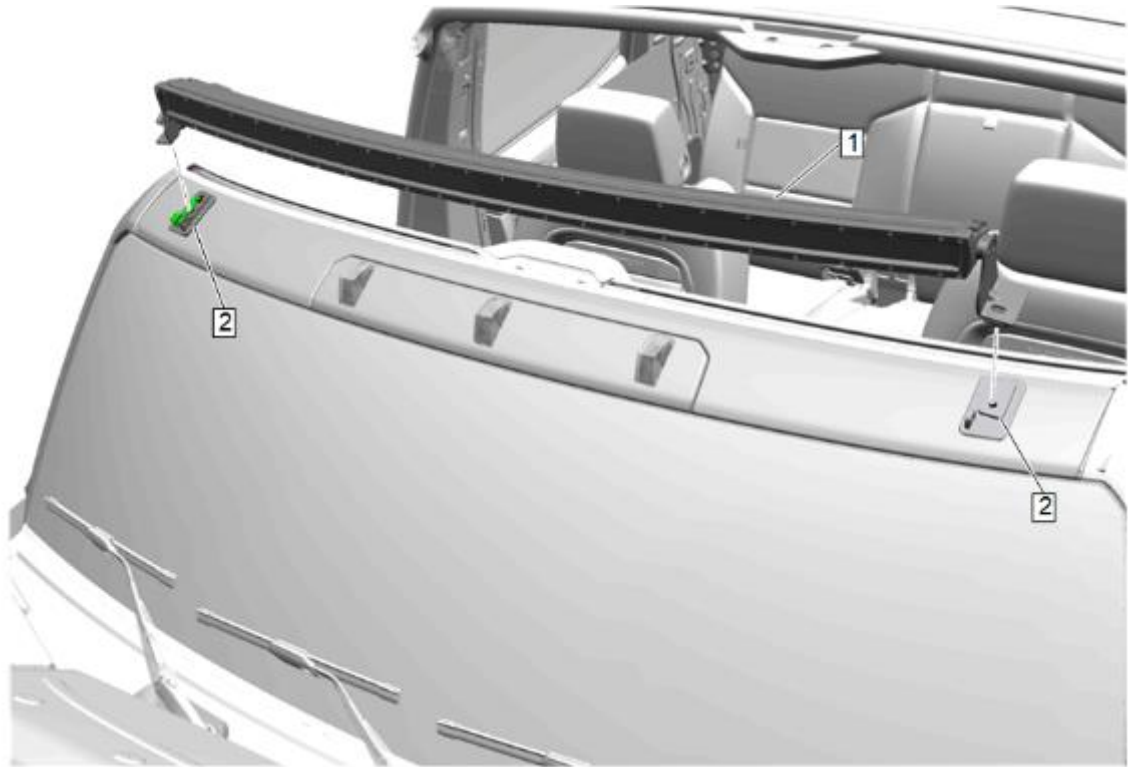
1. Remove cap (3) from base plate (1).
2. Cut the tie strap (6) from the tie strap mount (5) and remove the temporary cap (4) from harness connector (7).
3. Remove fastener (2) from base plate (1), retain fastener.



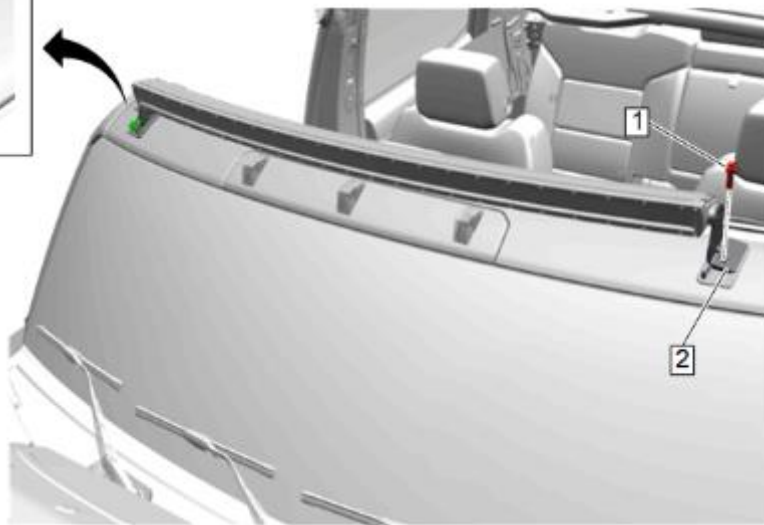
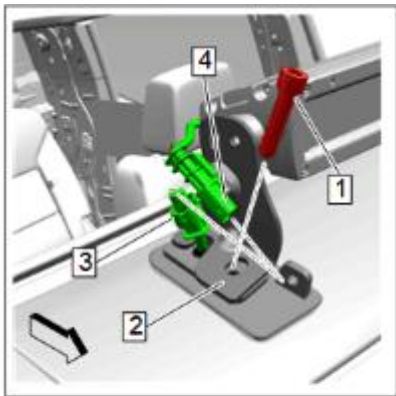
4. Remove the bolt (1) and driver side luggage cover cap (2).



5. Install grommet (1) to driver side base plate (3) and install driver side base plate (3) to driver side roof panel (2).



6. With the aid of an assistant, position the light bar (1) to the base plates (2).



Caution: Use the correct fastener in the correct location. Replacement fasteners must be the correct part number for that application. Fasteners requiring replacement or

fasteners requiring the use of thread locking compound or sealant are identified in the service procedure. Do not use paints, lubricants, or corrosion inhibitors on fasteners or fastener joint surfaces unless specified. These coatings affect fastener torque and joint clamping force and may damage the fastener. Use the correct tightening sequence and specifications when installing fasteners in order to avoid damage to parts and systems.

7. Install the fasteners (1) to light bar brackets (2) and tighten to 22 +/- 3 N.m (16 lb ft).
8. Connect the wiring harness connector (3) to the light bar connector (4).
9. Connect the 12 volt negative battery cable. Refer to [Battery Negative Cable Disconnection and Connection](#) in Vehicle Service Manual.
10. Test the light bar. See Virtual Switch Information and Lamp Function below.

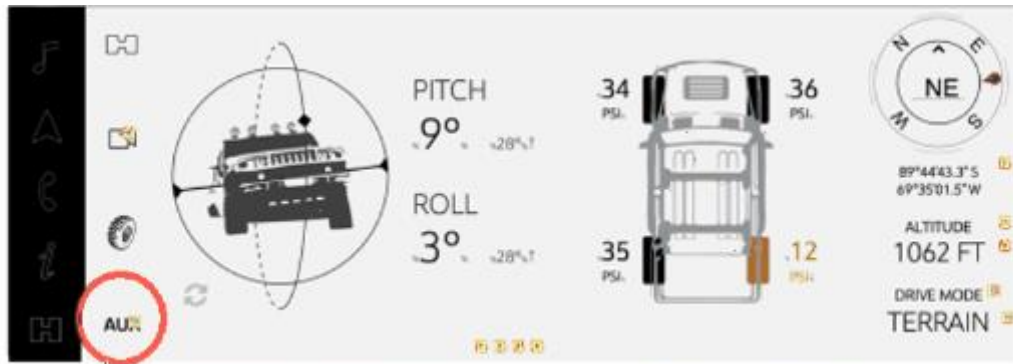
Virtual Switch Information and Lamp Function



© 2024 General Motors. All rights reserved.



1. On the main menu, select "OFF-Road" app to access.

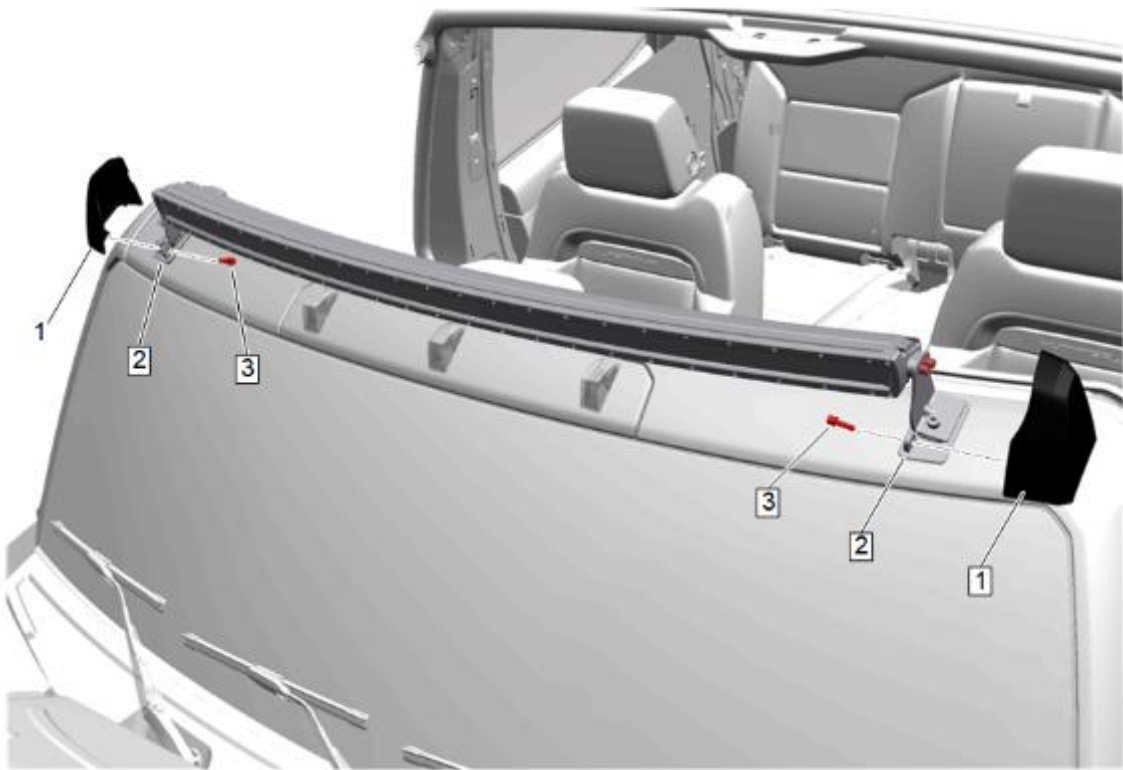


2. Inside the Off-Road app, press the AUX feature (top image) to access the screen switches (bottom image).

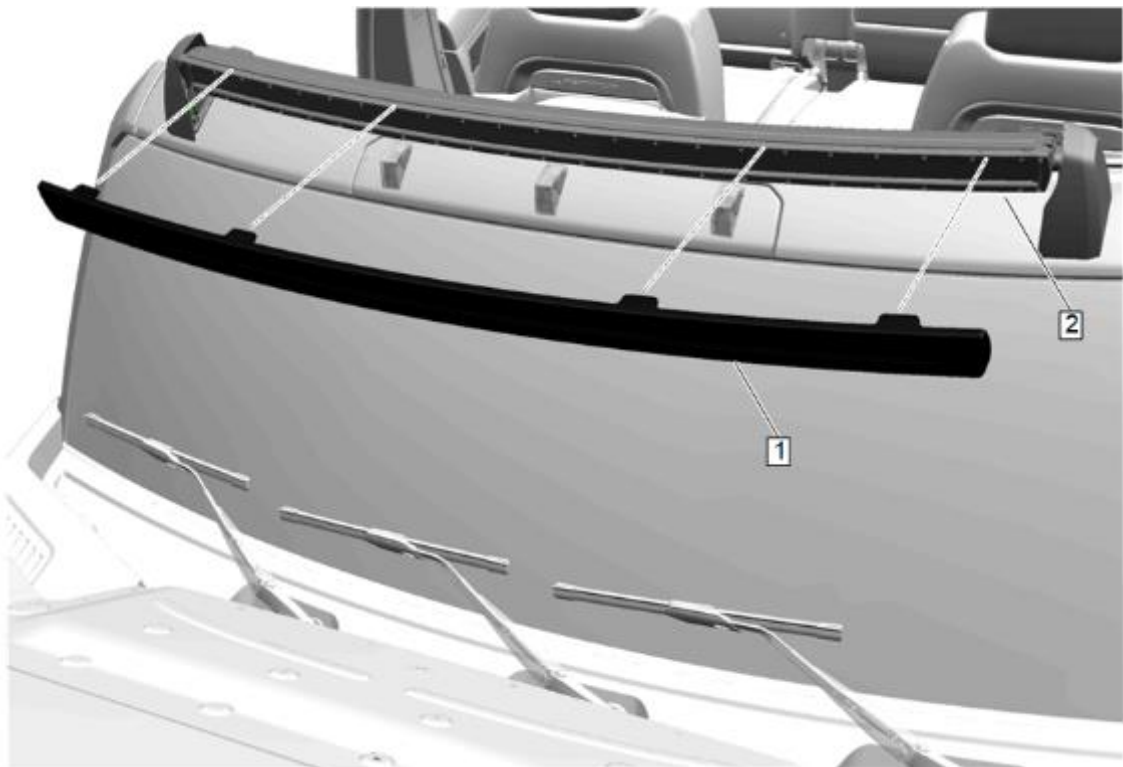


3. Press the edit feature (top image) to allow personalization of text name (bottom image).

4. Place vehicle in Run, verify lamp is working properly.



5. Install the stanchions (1) to the light bar brackets (2) and secure with the screws (3). Tighten the screws to 5 N.m (44 lb in).



6. Install cover (1) to light bar (2).

7. Light bar installation complete.

Power Distribution Box In-line 8-Way Connector

Connector Pin-Out	Wire Color	Relay Position	Fuse Position	Touch Screen Switch
1	Red/Yellow	Relay 1	Fuse 1	1
2	Red/Blue	Relay 2	Fuse 2	2
3	Red/Gray	Relay 3	Fuse 3	3
4	Red	Relay 4	Fuse 4	4
5	Red/White	Relay 5	Fuse 5	5
6	Red/Brown	Relay 6	Fuse 6	6
7	NC	NC	NC	NA
8	NC	NC	NC	NA