

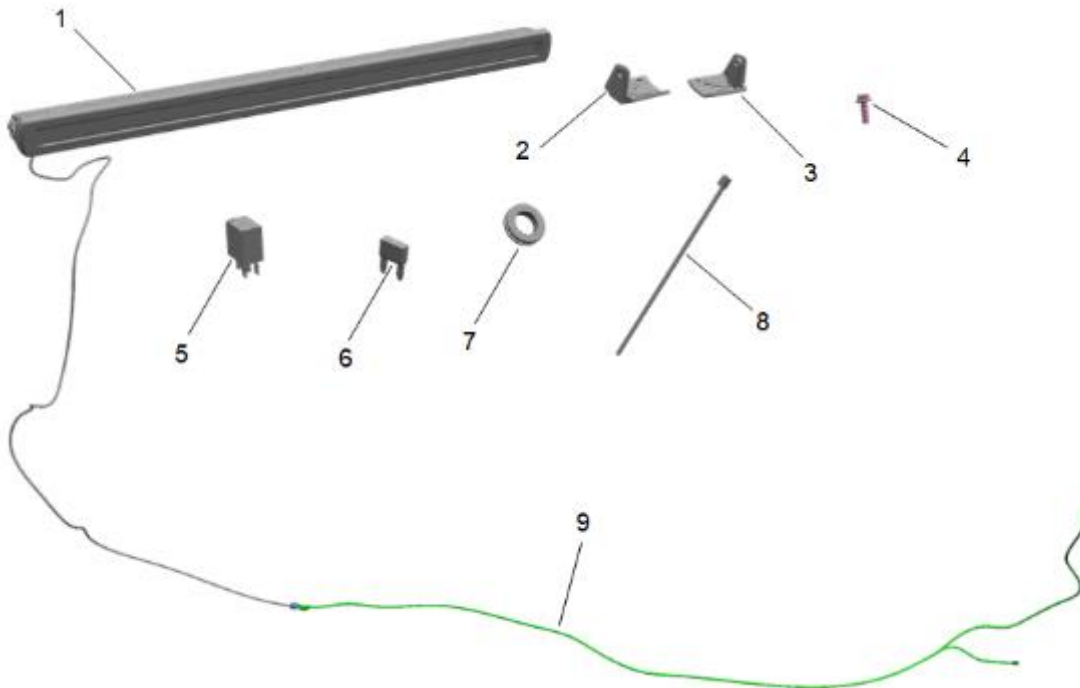
Off Road Lamp Package Installation

Table 1: [Kit Contents](#)

Table 2: [Accessory VBP Fuse Box Reference](#)

Installation Instructions Part Number

84861980



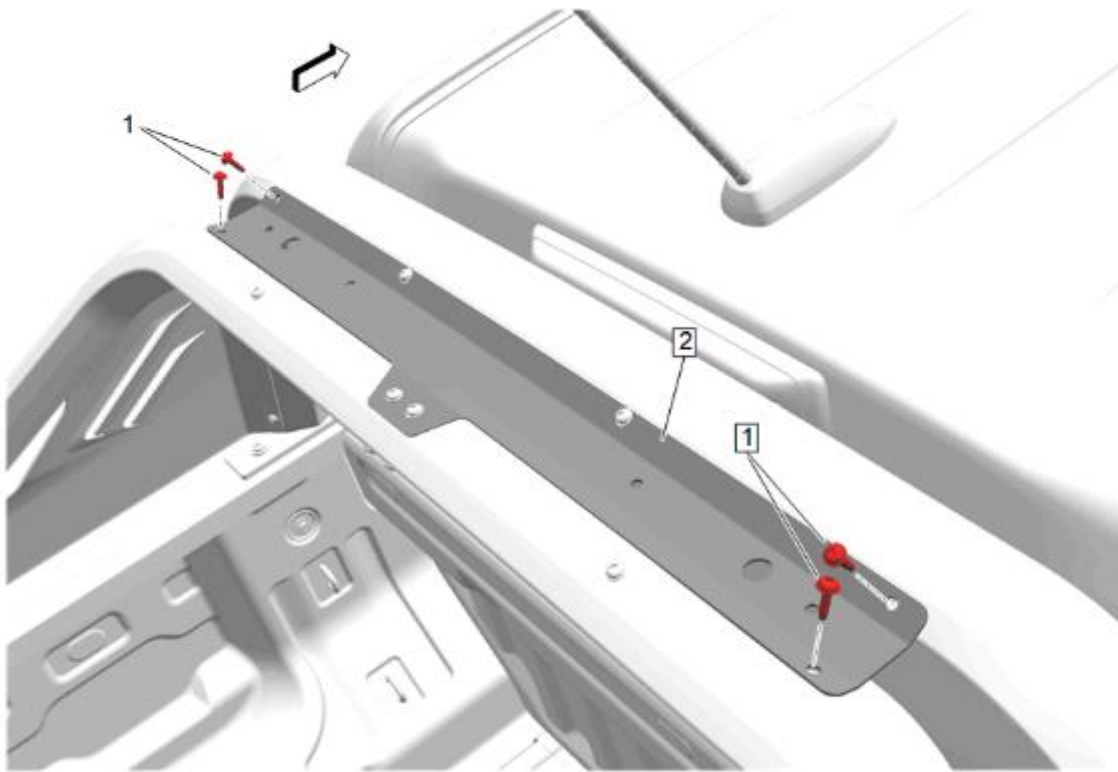
© 2024 General Motors. All rights reserved.

Kit Contents

Item	Qty	Description
1	1	Light Bar 40"
2	1	Bracket – RH
3	1	Bracket – LH
4	1	Attachment Kit
5	1	Relay
6	1	15A Fuse
7	1	Grommet
8	20	Tie Strap

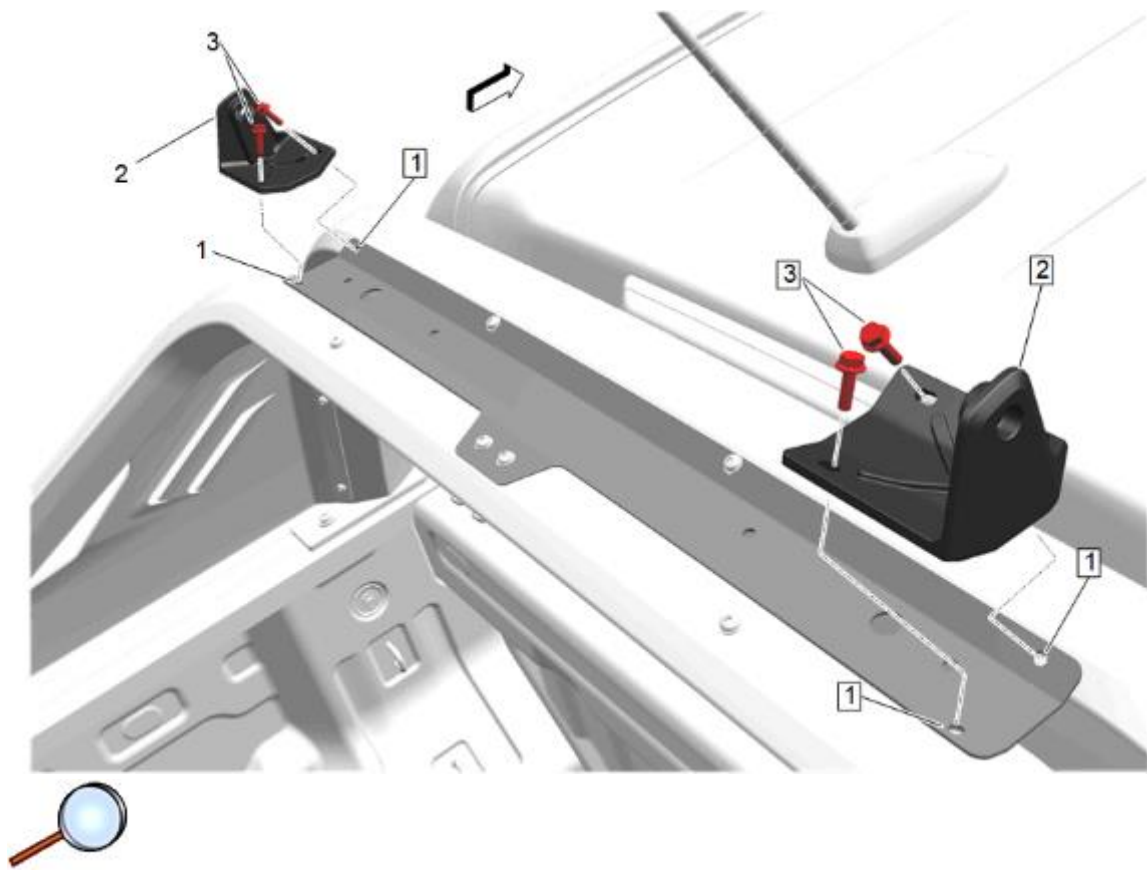
Item	Qty	Description
9	1	Wire Harness
-	1	Instruction Sheet

Procedure



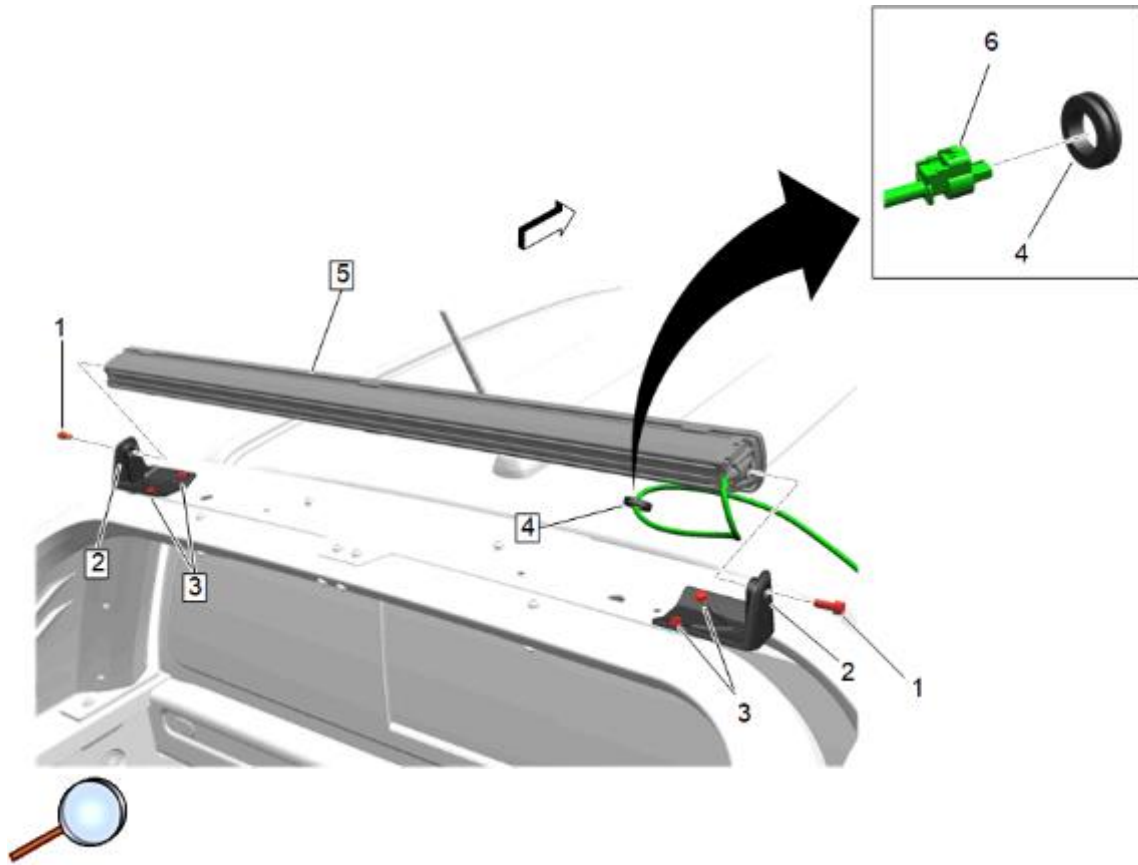
© 2024 General Motors. All rights reserved.

1. Remove outer-most screws (1) from connector plate (2) on the sport bar.

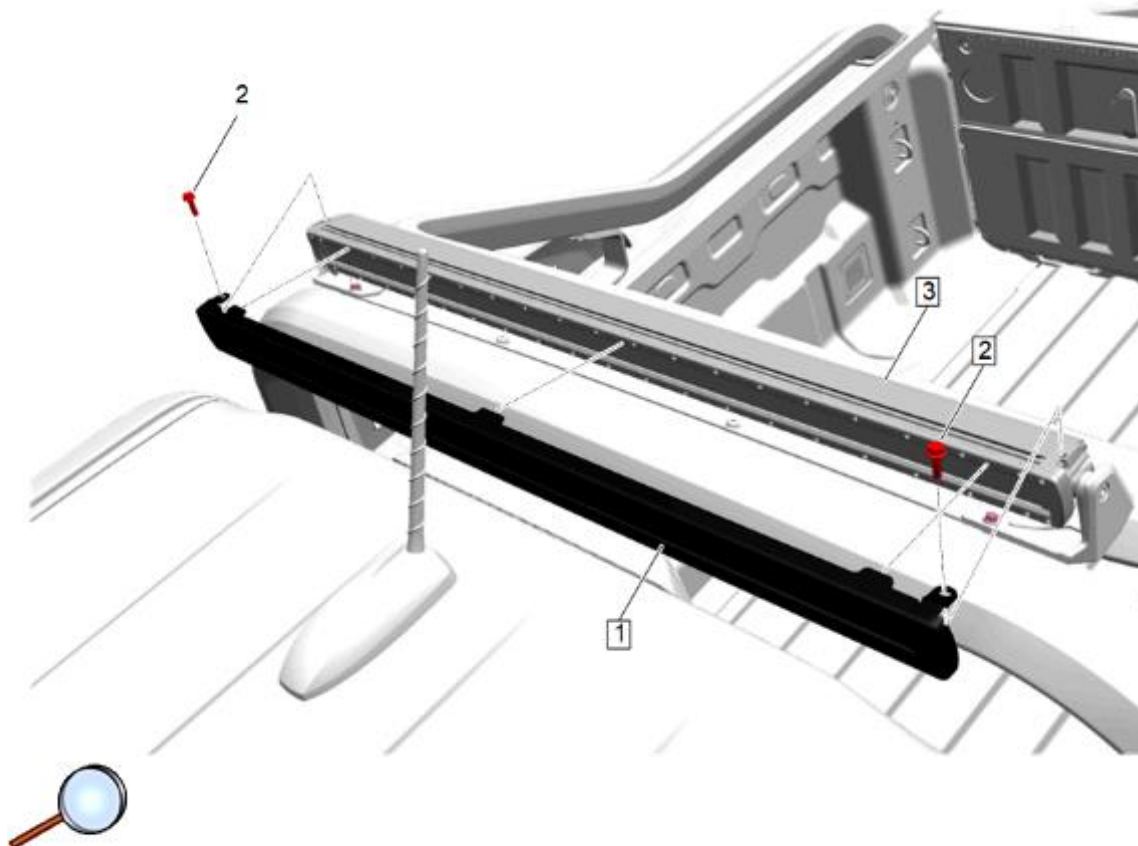


Caution: Use the correct fastener in the correct location. Replacement fasteners must be the correct part number for that application. Fasteners requiring replacement or fasteners requiring the use of thread locking compound or sealant are identified in the service procedure. Do not use paints, lubricants, or corrosion inhibitors on fasteners or fastener joint surfaces unless specified. These coatings affect fastener torque and joint clamping force and may damage the fastener. Use the correct tightening sequence and specifications when installing fasteners in order to avoid damage to parts and systems.

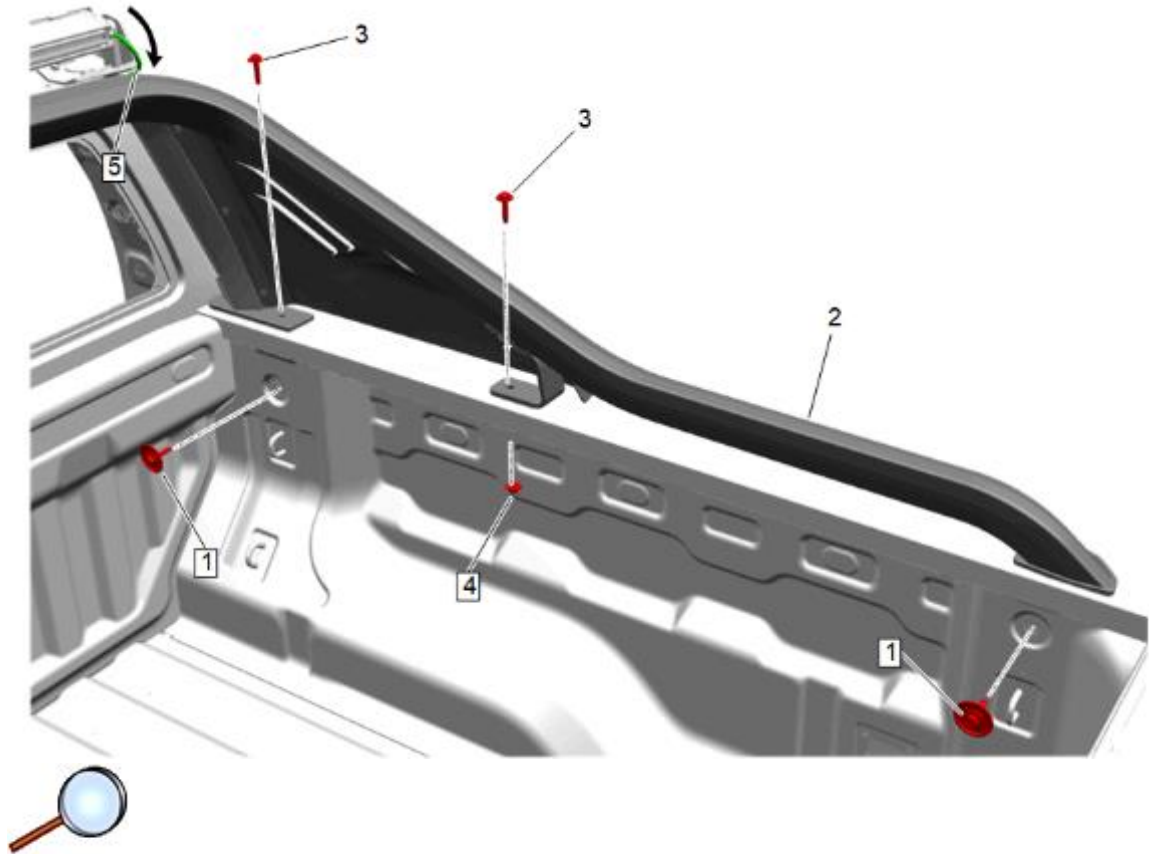
2. Align brackets (2) over the holes (1) and loosely install the M6 fasteners (3) from kit, allowing the brackets to move for side to side adjustment by hand. Do not torque fasteners at this time.



3. Position the light bar (5) to the brackets (2) ensuring there is no gap between bracket and light bar, then secure with the M8 fasteners (1) supplied in kit. Tighten M8 fasteners to 12 +/- 1 N.m (9 lb ft). Leave pigtail harness in vehicle bed.
4. Using a suitable wrench, tighten the M6 fasteners (3) to 10 +/- 1 N.m (7 lb ft).

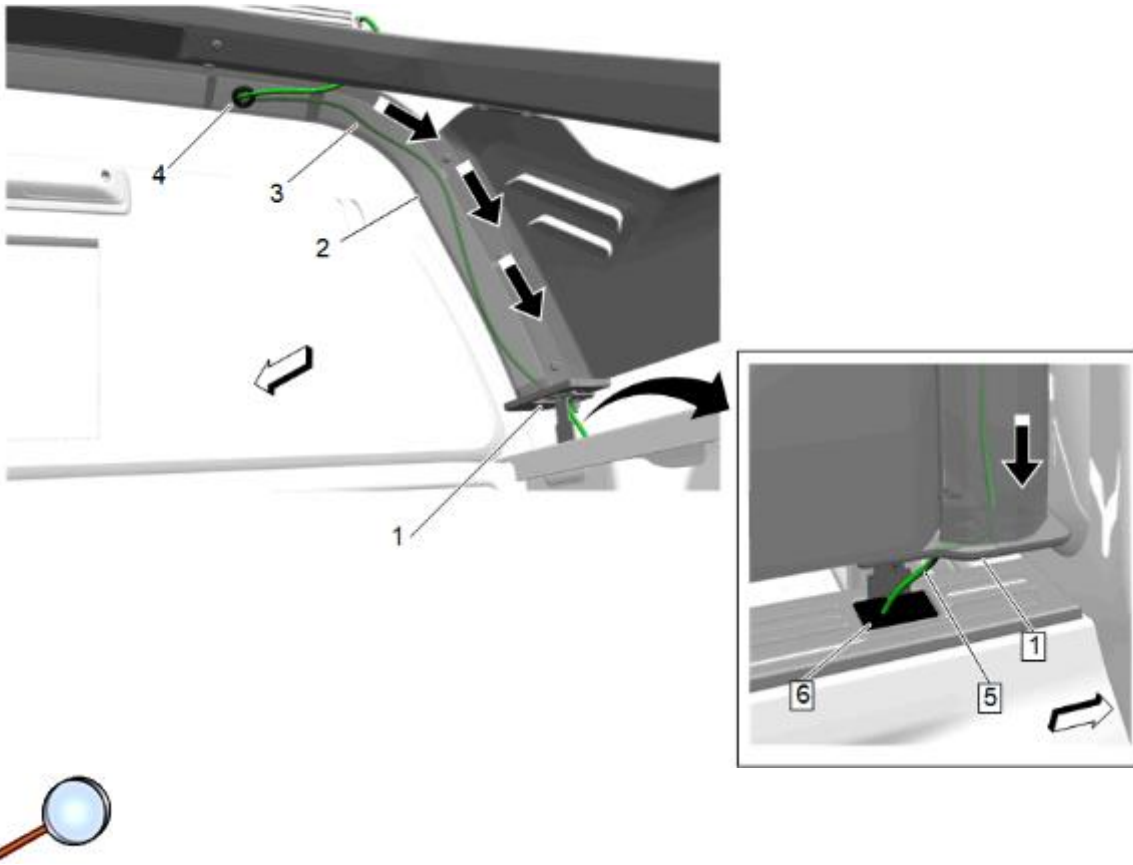


5. Install light cover (1) to light bar (3) and secure with the 1/4-20 fasteners (2). Tighten fasteners to 6 +/- 1 N.m (53 lb in).
6. Insert grommet (4) over connector (6) and slide up pigtail harness close to lamp.

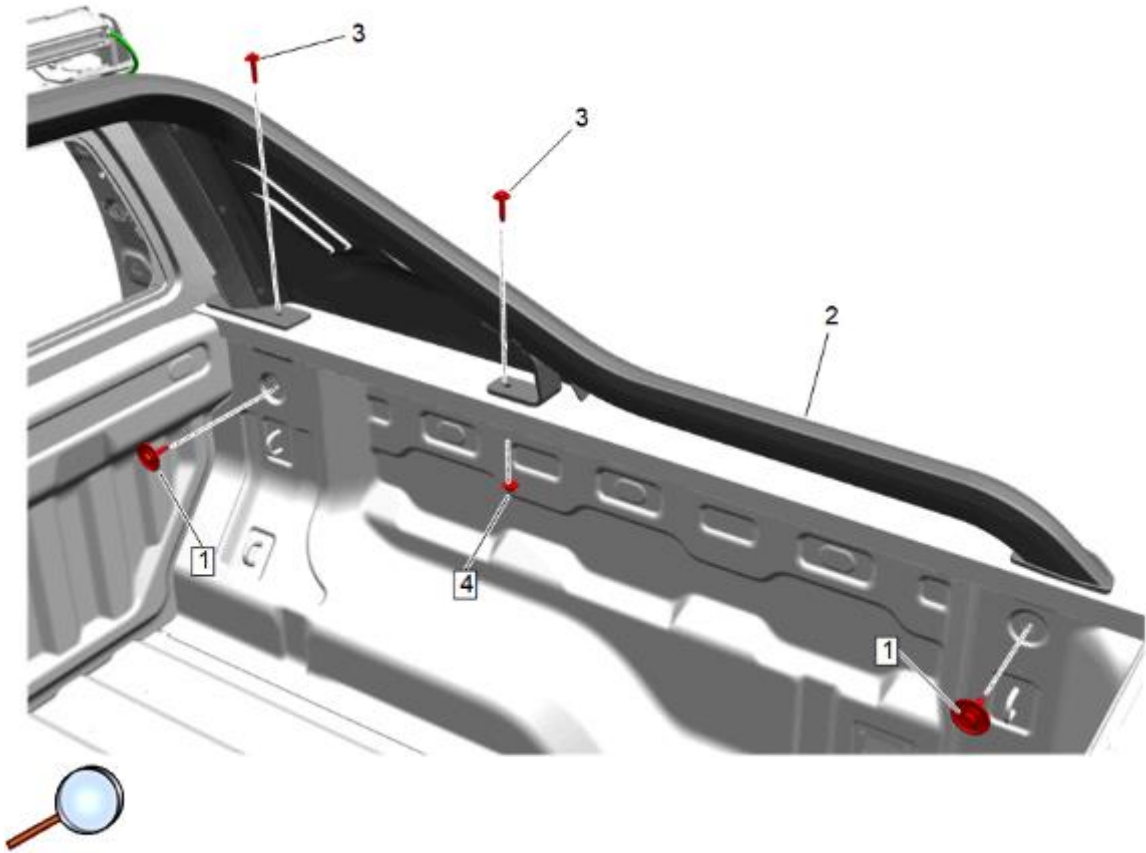


© 2024 General Motors. All rights reserved.

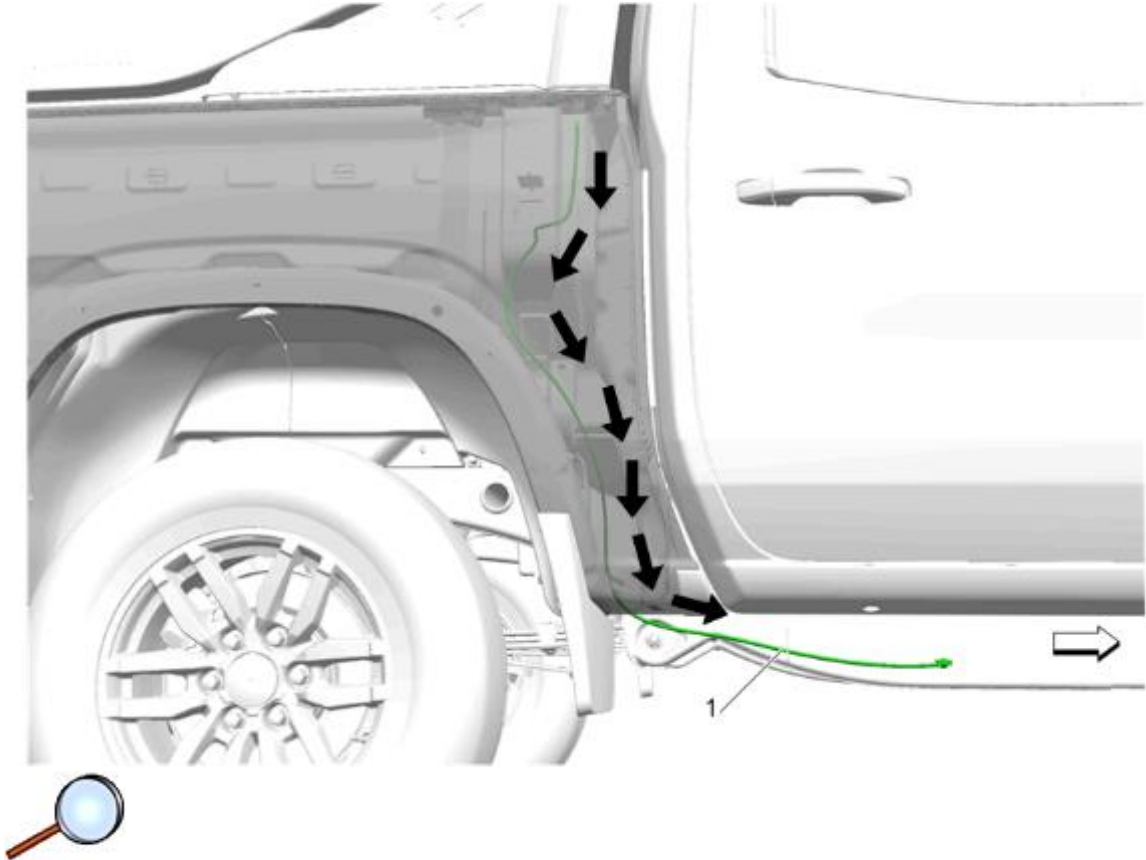
7. Remove the side bolts (1), lower nut (4) and upper bolts (3), securing sport bar (2) to bedside. Repeat step for opposite side.
8. Pass pigtail harness (5) between front and rear sport bars on the rear side of bracket.



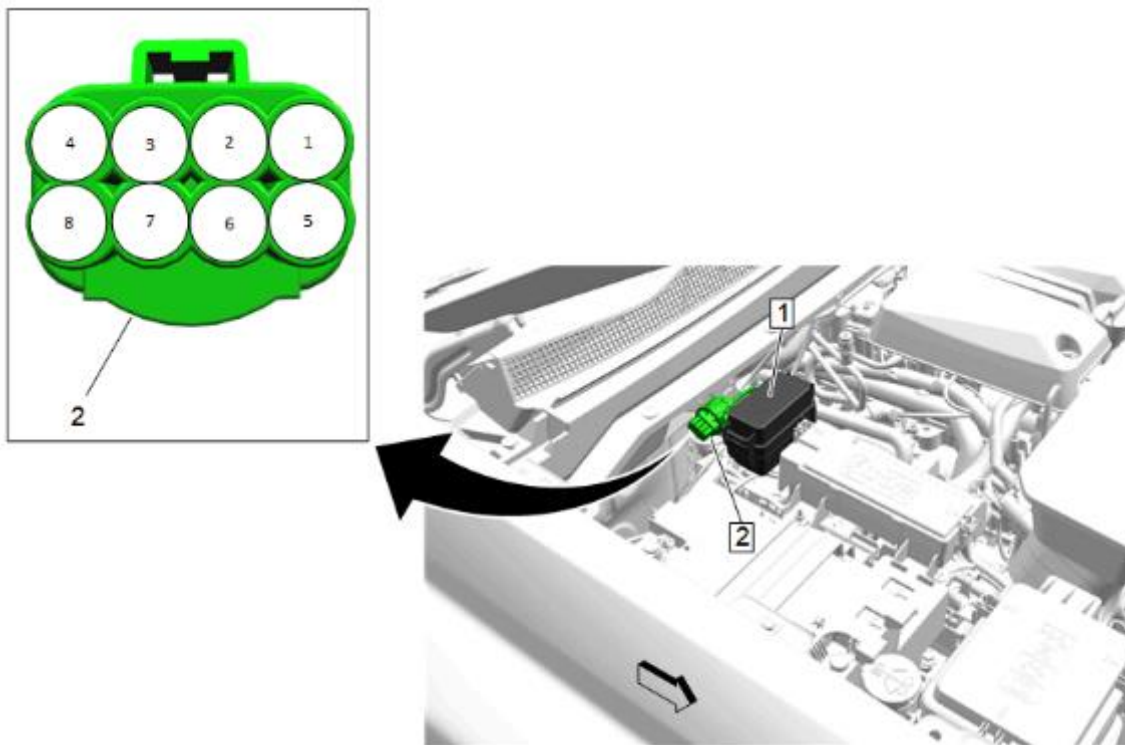
9. Insert connector and pigtail through hole toward the passenger side, push excess wire (3) down sport bar (2).
10. Seat grommet (4) into hole in sport bar (2).
11. Pull connector and loose wire (5) out the bottom of sport bar (1) and direct through opening (6) in bedside.



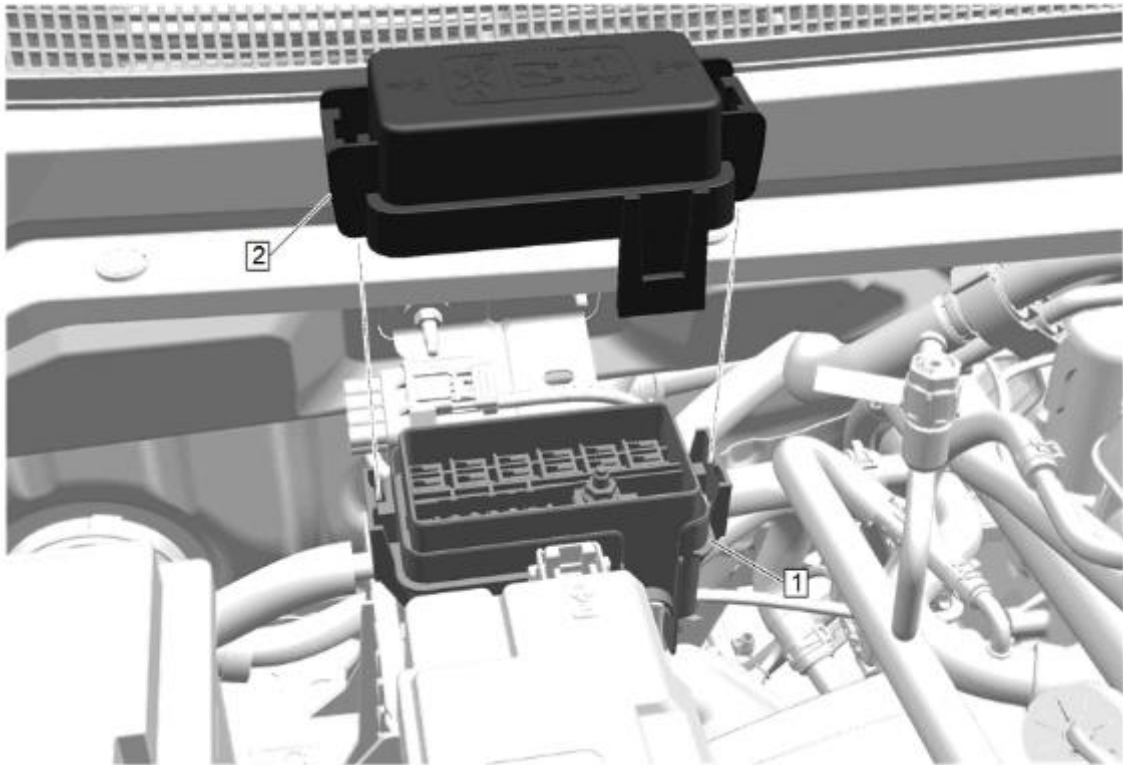
12. Re-install the side bolts (1), lower nut (4) and upper bolts(3), securing sport bar (2) to bedside. Tighten upper bolts (3) and nut (4) to 10 +/- 1 N.m (7 lb ft). Tighten side bolts (1) to 22 +/- 3 N.m (16 lb ft). Repeat step for opposite side.



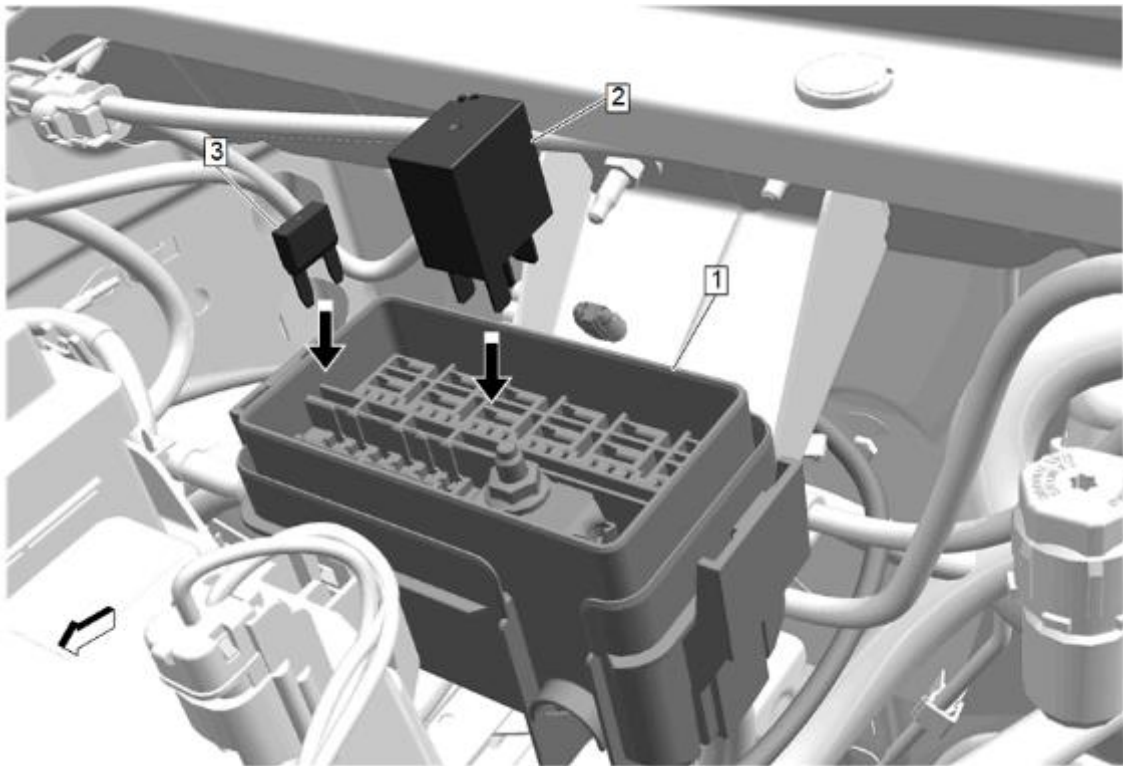
13. From under the vehicle pull excess wiring (1) down to chassis.



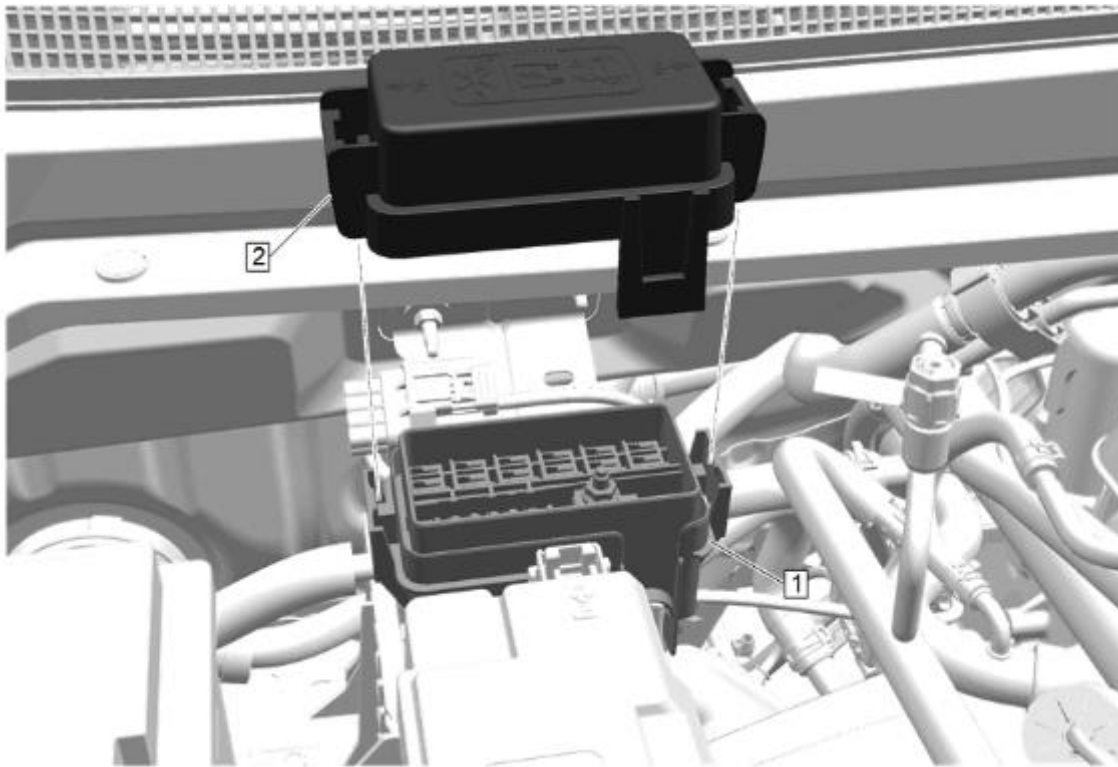
14. Locate the 8-way connector (2) at the back of the accessory VBP use box (1). Disconnect the 8-way connector (2) and insert wire harness terminal end into the appropriate cavity of connector defined by accessory VBP fuse box, refer to [Accessory Wiring Junction Block Package Installation](#) and VZJ switch instruction, refer to [Auxiliary Multifunction Switch Package Installation](#). Re-connect 8-way connector (2).



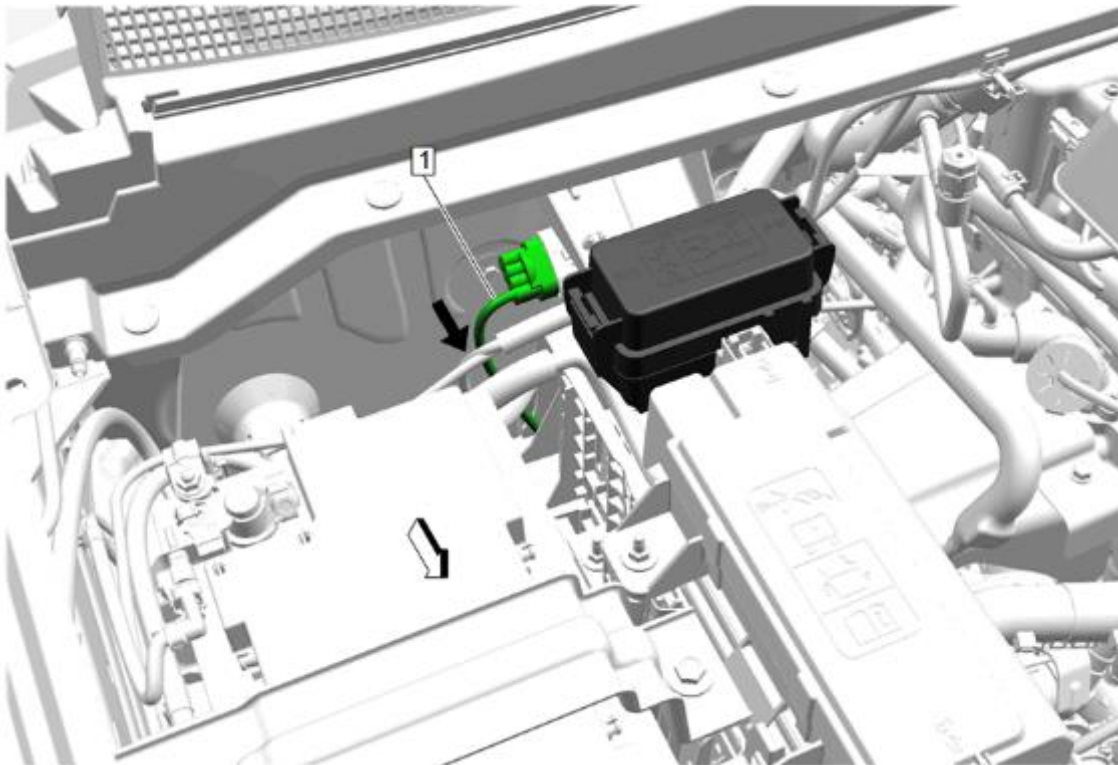
15. Remove the cover (2) from the accessory VBP fuse box (1).



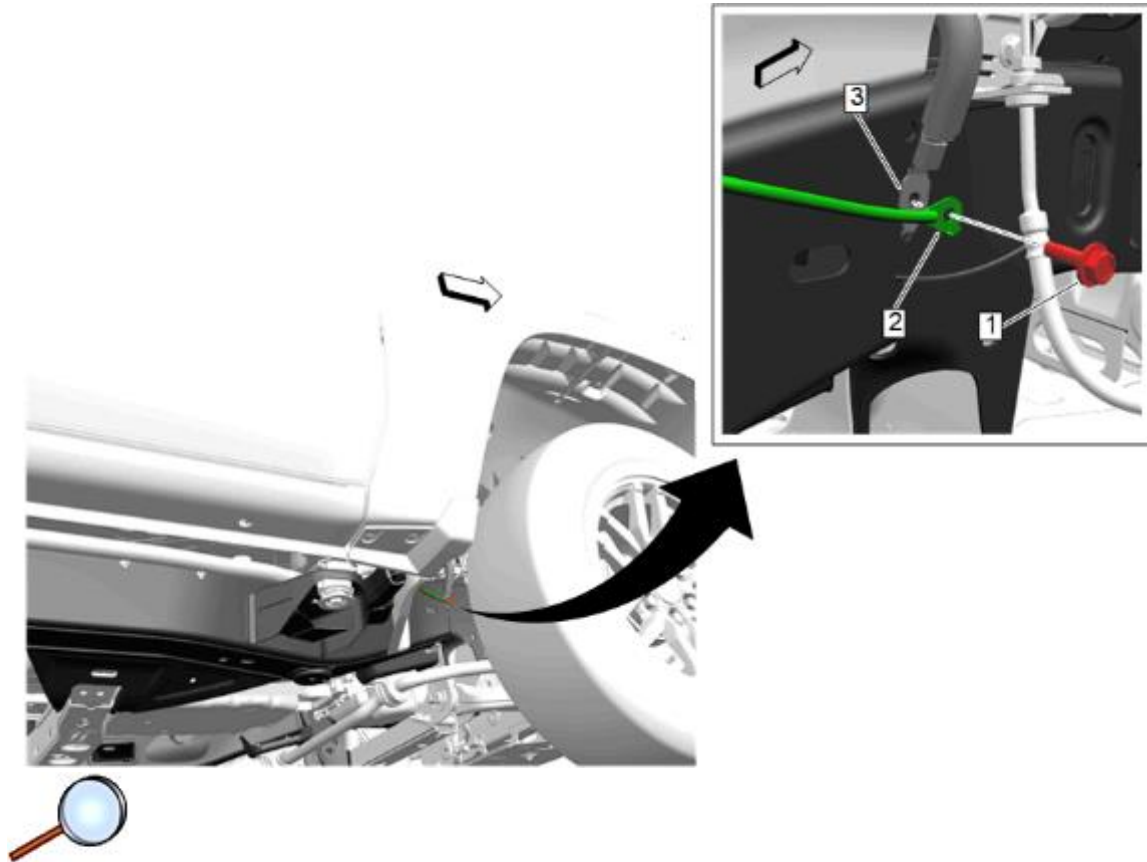
16. Locate relay (2) and fuse (3) from kit and insert into appropriate area defined by instruction accessory VBP fuse box (1). Refer to [Accessory Wiring Junction Block Package Installation](#).



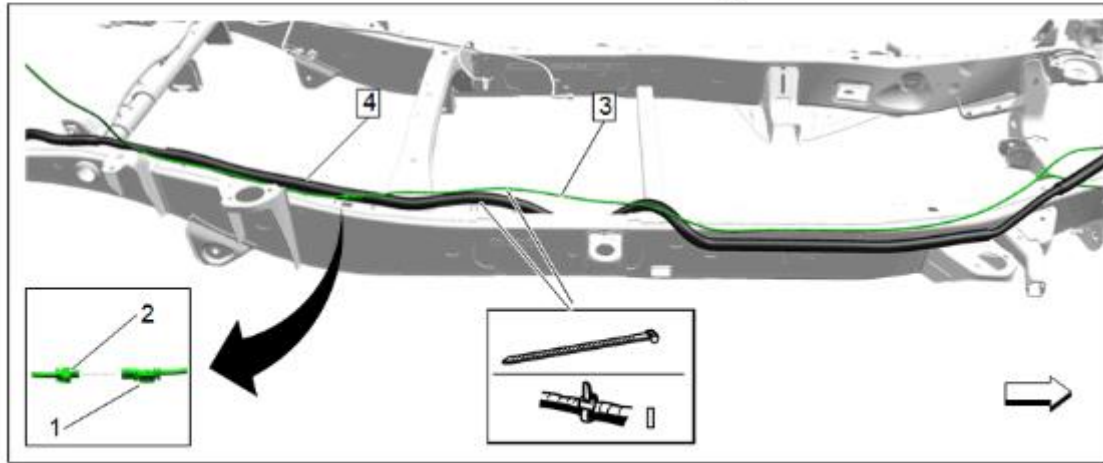
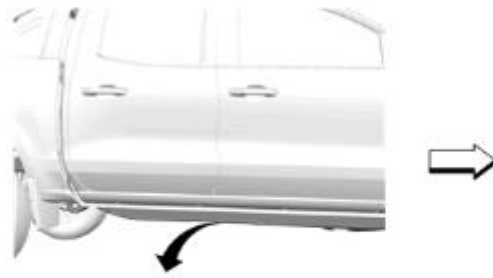
17. Reinstall the cover (2) to the accessory VBP fuse box (1).



18. Drop remainder of wire harness (1) through engine compartment towards bottom right front wheelhouse splash shield.



19. Pull wire harness below bottom right front wheelhouse splash shield. Remove the bolt (1) from stack ring (3) on frame and position accessory harness stack ring (2) over existing stack ring (3).
20. Reinstall stack ring bolt (1) and tighten to 22 +/- 3 N.m (16 lb ft).



21. Route remainder of harness (3) along vehicle body harness (4) on top of chassis towards rear of vehicle and connect harness connector (1) to the pigtail connector (2).
22. Check and confirm function of switch and lamps.
23. Secure harness (3) to body harness (4) with supplied tie straps every 200mm. Trim excess of tie straps.

Accessory VBP Fuse Box Reference

Connector Pin-Out	Wire Color	Relay Position	Fuse Position	Hard Switch Location
1	Yellow	Relay K1	Fuse F1	AUX Center Stack Position 6
2	Blue	Relay K2	Fuse F2	AUX 1
3	Gray	Relay K3	Fuse F3	AUX 2
4	Black	Relay K4	Fuse F4	AUX 3
5	White	Relay K5	Fuse F5	NA
6	Brown	Relay K6	Fuse F6	NA
7	NC	NC	NC	NA
8	NC	NC	NC	NA

