

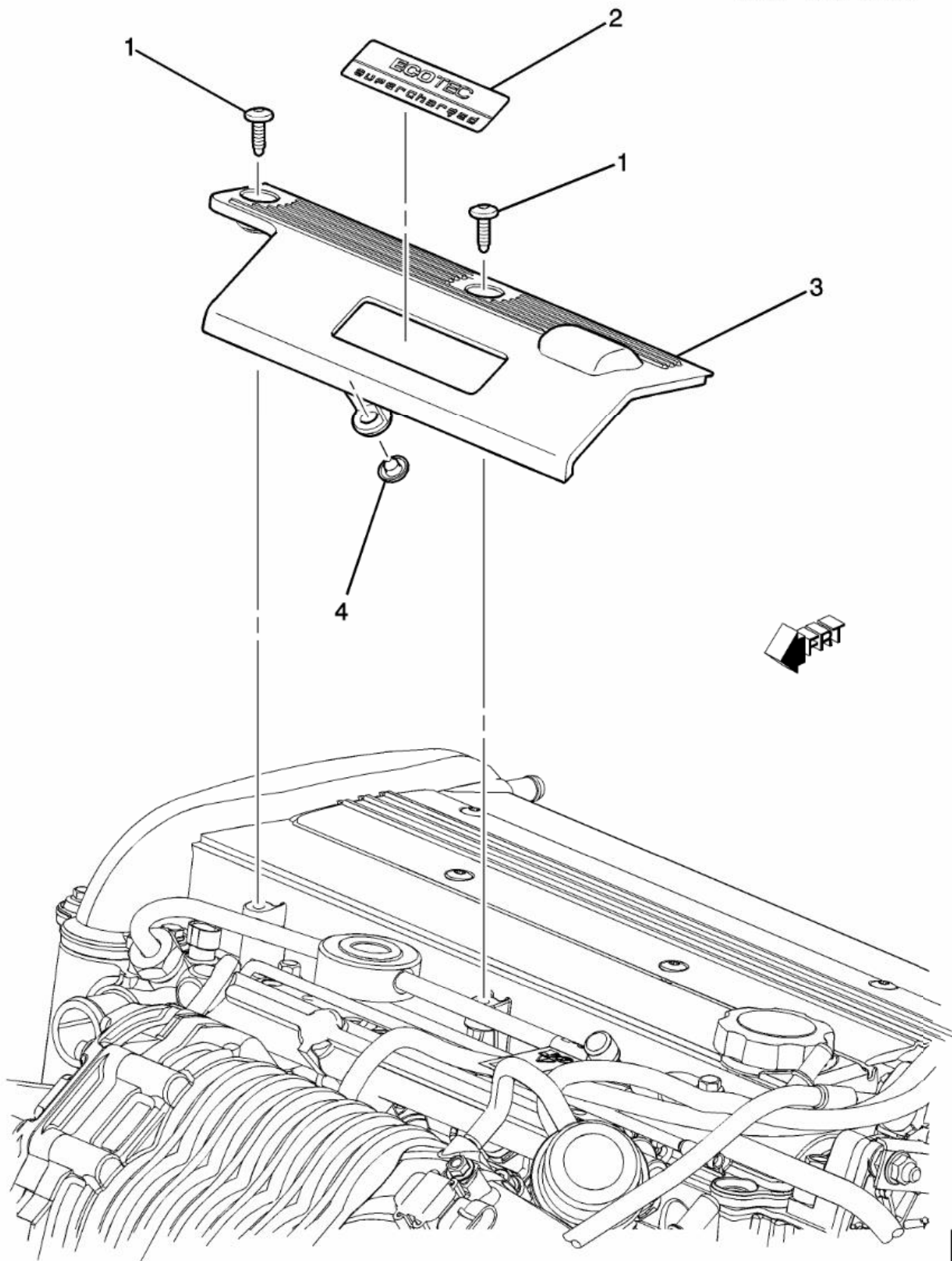
LSJ
Engine Components List
Based off 2007 Cobalt



847-276-8110

C - Chevrolet >2007 >A - 1A1 - Cobalt >00 - 4-CYLINDER ENGINE >(1A00-015) 2005-2007 AP INTAKE MANIFOLD SHIELD/COVERS (LSJ/2.0P) >

1A00-015 02/23/2005



Make: Chevrolet

Year: 2007

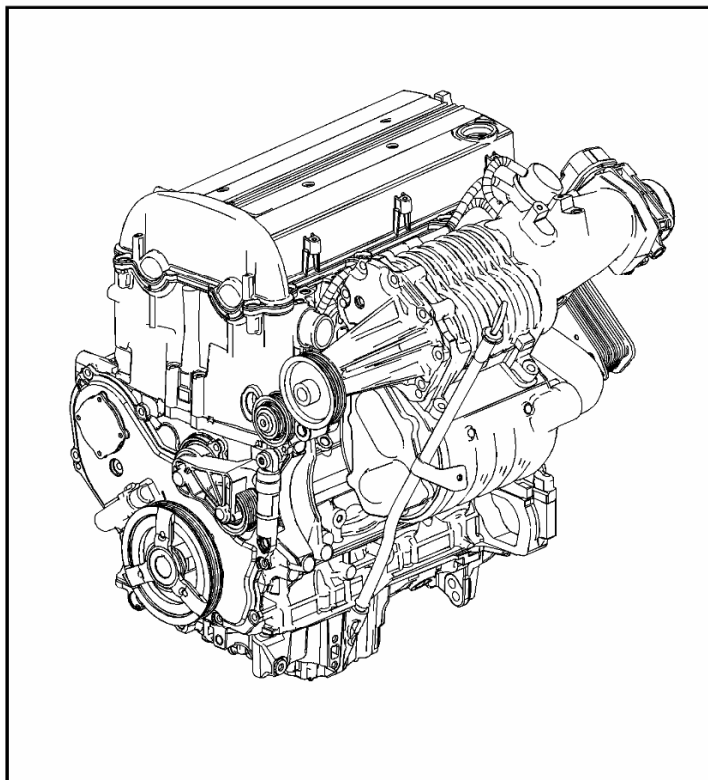
Model: Cobalt

C - Chevrolet >2007 >A - 1A1 - Cobalt >00 - 4-CYLINDER ENGINE >(1A00-015) 2005-2007 AP INTAKE MANIFOLD SHIELD/COVERS (LSJ/2.0P) >

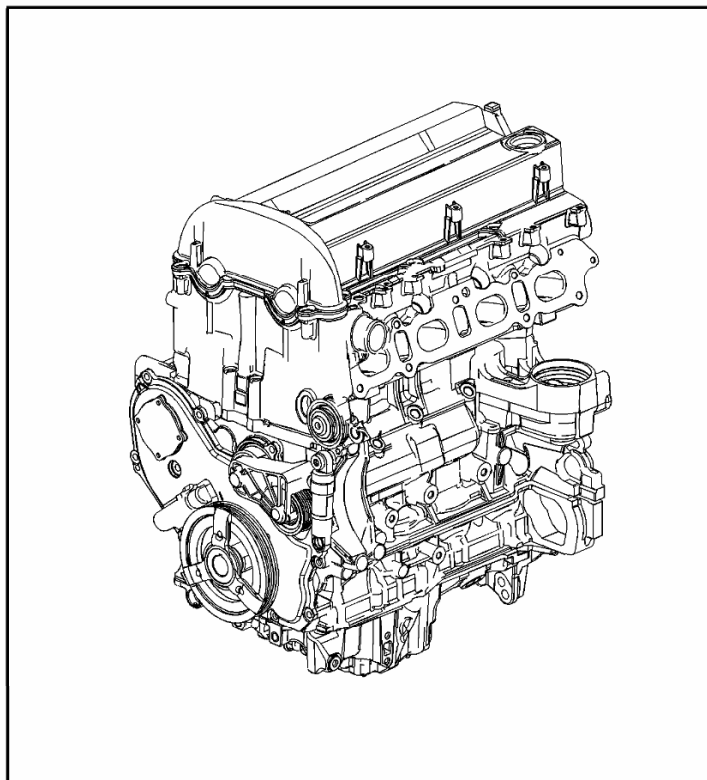
Call	Part #	Group	H	Description	Usage	Year	Qty
1	12789897	03.265		BOLT, UPR INT MANIF SIGHT SHLD (0.413) (Service Lane Part)	A (LSJ)	2005 - 2007	02
2		03.265		EMBLEM, INT MANIF CVR (PART OF 3)		2005 - 2007	
3	12595800	03.265		SHIELD, UPR INT MANIF SIGHT (INCLS 2,4) (**VPI 1-877-846- 8243)	A (LSJ)	2005 - 2007	01
4		NS		INSULATOR, F/INJR SIGHT SHLD (PART OF 3)		2005 - 2007	

C - Chevrolet >2007 >A - 1A1 - Cobalt >00 - 4-CYLINDER ENGINE >(1A00-006) 2005-2007 AP ENGINE ASM & PARTIAL ENGINE (LSJ/2.0P) >

1A00-006 08/25/2004



1



2

kb



Make: Chevrolet

Year: 2007

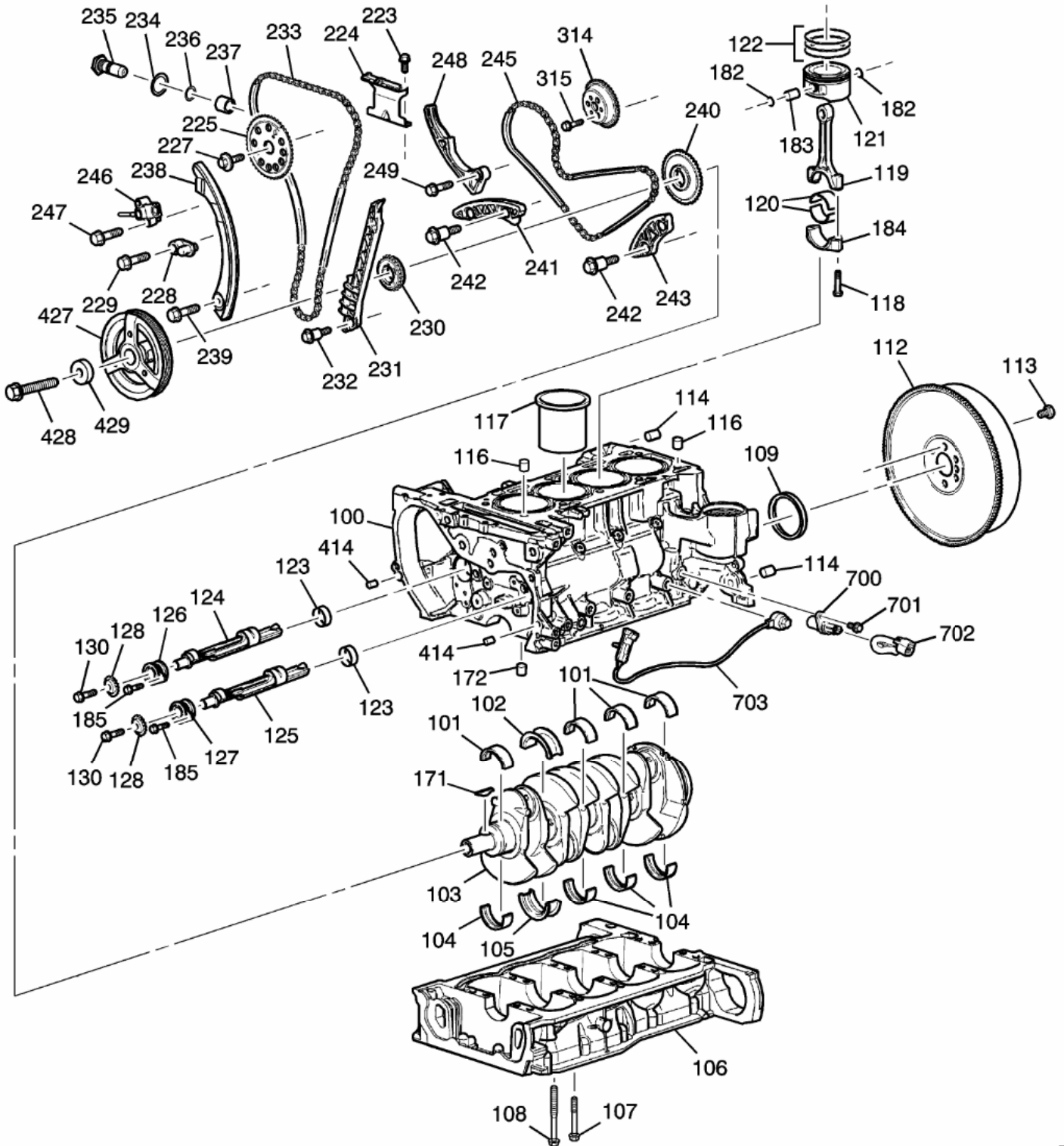
Model: Cobalt

C - Chevrolet >2007 >A - 1A1 - Cobalt >00 - 4-CYLINDER ENGINE >(1A00-006) 2005-2007 AP ENGINE ASM & PARTIAL ENGINE (LSJ/2.0P) >

Call	Part #	Group	H	Description	Usage	Year	Qty
1		NS		ENGINE, 2.0 L (122 CID)		2005 - 2007	
2	12592941	00.000		ENGINE, GASOLINE (SERVICE NEW) (SEE ADDITIONAL INFORMATION ICON)	A (LSJ)	2007 - 2007	01

C - Chevrolet >2007 >A - 1A1 - Cobalt >00 - 4-CYLINDER ENGINE >(1A00-009) 2005-2007 AP ENGINE ASM-2.0L L4 PART 1 CYLINDER BLOCK & INTERNAL PARTS (LSJ/2.0P) >

1A00-009 12/11/2009



Make: Chevrolet

Year: 2007

Model: Cobalt

C - Chevrolet >2007 >A - 1A1 - Cobalt >00 - 4-CYLINDER ENGINE >(1A00-009) 2005-2007 AP ENGINE ASM-2.0L L4 PART 1 CYLINDER BLOCK & INTERNAL PARTS (LSJ/2.0P) >

Call	Part #	Group	H	Description	Usage	Year	Qty
100		NS		BLOCK, ENG (SERVICED BY GOODWRENCH ENGINE)		2005 - 2007	
101		NS		BEARING, CR/SHF UPR (*KIT1)		2005 - 2007	
102		NS		BEARING, CR/SHF THR UPR (*KIT1)		2005 - 2007	
103	12791966	00.646		CRANKSHAFT, (Service Lane Part)	A (LSJ)	2005 - 2007	01
104		NS		BEARING, CR/SHF LWR (*KIT1)		2005 - 2007	
105		NS		BEARING, CR/SHF THR LWR (*KIT1)		2005 - 2007	
106		NS		CRANKCASE, LWR (CSTG)		2005 - 2007	
107	11518056	08.900		BOLT, HFH M8X1.25X75,THD 22,OD 18,10.9,GMW14C- PT,REDUCED BODY (LWR C/CASE) (Service Lane Part)		2005 - 2007	10
108	11571239	08.900		BOLT, HFH,M10X1.5X146,71 THD,22.75 OD,8.8,GMW3179 A,REDUCED BODY (BEDPLATE TO BLOCK) (Service Lane Part)		2005 - 2007	20
109	12591866	00.137		SEAL, CR/SHF RR OIL (Service Lane Part)	A (LSJ)	2005 - 2007	01
112	12584343	00.666		FLYWHEEL, ENG (Service Lane Part)	A (LSJ,MU3)	2005 - 2007	01
113	11570626	00.669		BOLT, FLYWHL (M10X1.25X23.5) (Service Lane Part)	A (LSJ,MU3)	2005 - 2007	08
114	90351708	00.685		PIN, TRANS LOC (18.5MM OD X12MM LONG) (0.219) (Service Lane Part)	A	2005 - 2007	02

							y
116	90537102	00.293		PIN, CYL HD LOC (Service Lane Part)	A (LSJ)	2005 - 2007	02
117	88984129	00.030		SLEEVE, CYL (MCHG) (Service Lane Part)	A (LSJ)	2005 - 2007	04
118	90537293	00.623		BOLT, CONN ROD (M9X1,53.7) (Service Lane Part)	A (LSJ)	2005 - 2007	08
119	12755162	00.603		ROD, CONN (INCLS 184) (Service Lane Part)	A (LSJ)	2005 - 2007	04
120	12591093	00.616		BEARING KIT, CONN ROD (STANDARD SIZE, FULL SET) (Service Lane Part)	A (LSJ) (EXC CV2)	2005 - 2007	01
120	19300927	00.616		BEARING KIT, CONN ROD (STANDARD SIZE, FULL SET) (Service Lane Part)	A (LSJ, CV2)	2005 - 2007	01
121	12791210	00.629		PISTON, (W/PIN) (INCLS 182,183) (Service Lane Part)	A (LSJ)	2005 - 2007	04
122	93180138	00.643		RING KIT, PSTN (Service Lane Part)	A (LSJ)	2005 - 2007	04
123	12581395	00.539		BEARING, BALR SHF RR (Service Lane Part)	A (LSJ)	2005 - 2007	02
124	90537566	00.659	R	SHAFT, BAL (INCLS 126,128,130) (INCLS BEARING AND SPRKT) (Service Lane Part)	A (LSJ)	2005 - 2007	01
125	90537565	00.659	L	SHAFT, BAL (INCLS 127,128,130) (INCLS BEARING AND SPRKT) (Service Lane Part)	A (LSJ)	2005 - 2007	01
126		NS	R	BEARING, BAL SHF FRT (PART OF 124)		2005 - 2007	
127		NS	L	BEARING, BAL SHF FRT (PART OF 125)		2005 - 2007	
128		NS		SPROCKET, BAL SHF (PART OF 124,125)		2005 - 2007	
130	11516328	08.900		BOLT, HFH,M10X1.5X30,22 O.D.,HDR PT,10.9,7114M (BAL SHF SPKT) (PART OF 124,125) (Service Lane Part)		2005 - 2007	02
171	24424855	00.729		KEY, CR/SHF SPKT (Service Lane Part)	A (LSJ)	2005 - 2007	01

							y
172	90537102	01.428		PIN, LWR C/CASE LOC (LOWER-BEDPLATE TO BLOCK) (0.293) (Service Lane Part)	A (LSJ)	2005 - 2007	02
182		NS		PIN, PSTN (PART OF 121)		2005 - 2007	
183	12755171	00.639		RETAINER, PSTN PIN (PART OF 121) (Service Lane Part)	A (LSJ)	2005 - 2007	08
184		NS		CAP, CONN ROD (PART OF 119)		2005 - 2007	
185	11518449	08.900		BOLT, HFH,W/ADH,M6X1.0X1 6,13.5THD,14.2 O.D.,8.8,GMW3359 (BAL SHF BRG-> (FOR:CARRIER/FLANG E-TO BLOCK) (Service Lane Part)		2005 - 2007	02
223	11518828	08.900		BOLT, HVY HEX ACORN FLG HD (UPPER CAM CHAIN GUIDE-NOTE:DO NOT REUSE IF REMOVED- MUST BE TORQUED) (Service Lane Part)		2005 - 2007	02
224	12588387	00.724		GUIDE, TMG CHAIN (UPPER CAM CHAIN GUIDE-SPROCKET (INTAKE/EXHAUST) (CYLINDER HEAD) (UPPER FIXED) (Service Lane Part)	A (LSJ)	2005 - 2007	01
225	90537632	00.736		SPROCKET, CM/SHF (Service Lane Part)	A (LSJ)	2005 - 2007	02
227	90537451	00.738		BOLT, CM/SHF SPKT (Service Lane Part)	A (LSJ)	2005 - 2007	02
228	12577163	00.748		NOZZLE, TMG CHAIN OIL (LESS SPRING) (Service Lane Part)	A (LSJ)	2005 - 2007	01
229	11588714	08.900		BOLT, HFH,M6X1X30,22.7 THD,14.2 OD,8.8,GMW3359, M- PT. (TMG CHAIN OIL NOZ) (Service Lane Part)		2005 - 2007	01

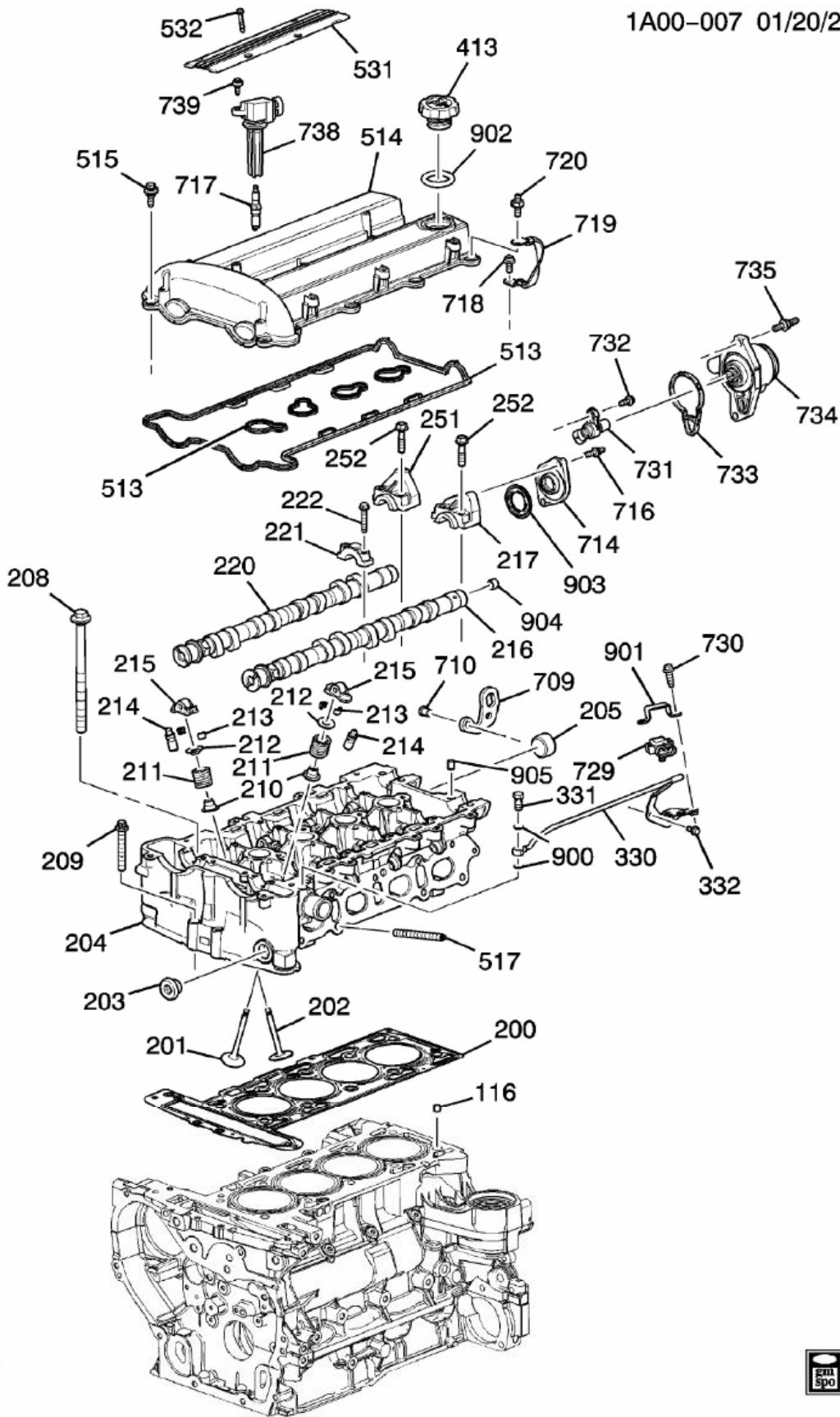
							y
230	24424758	00.728		SPROCKET, CR/SHF (FOR CAMSHAFT DRIVE) (FRT) (Service Lane Part)	A (LSJ)	2005 - 2007	01
231	13104978	00.724		GUIDE, TMG CHAIN (W/O BUSHING) (Service Lane Part)	A (LSJ)	2005 - 2007	01
232	11588522	08.900		BOLT, HFH W/SHLDR,M6X1X29.5,1 1.8THD,17 O.D.,8.8,6194M (TMG CHAIN GDE) (Service Lane Part)		2005 - 2007	02
233	24461834	00.724		CHAIN, CM/SHF TMG (Service Lane Part)	A (LSJ)	2005 - 2007	01
234		NS		WASHER, TMG BELT TENSR (PART OF 235)		2005 - 2007	
235	12608580	00.724		TENSIONER, TMG CHAIN (INCLS 234,236,237) (ACDelco #12608580) (Service Lane Part)	A (LSJ)	2005 - 2007	01
236		NS		SEAL, TENSIONER CM/SHF TMG CHAIN- O-RING- (PART OF 235)		2005 - 2007	
237		NS		PLUNGER, TENSIONER CM/SHF TMG CHAIN (PART OF 235)		2005 - 2007	
238	24449448	00.724		GUIDE, TMG CHAIN (W/BUSHING) (Service Lane Part)	A (LSJ)	2005 - 2007	01
239	11588714	08.900		BOLT, HFH,M6X1X30,22.7 THD,14.2 OD,8.8,GMW3359, M- PT. (TMG CHAIN GDE) (Service Lane Part)		2005 - 2007	01
240	12642713	00.728		SPROCKET, CR/SHF (FOR CAMSHAFT DRIVE) (Service Lane Part)	A (LSJ)	2005 - 2007	01
241	90537336	00.659		GUIDE, BALR CHAIN (UPPER) (Service Lane Part)	A (LSJ)	2005 - 2007	01

							y
242	11588522	08.900		BOLT, HFH W/SHLDR,M6X1X29.5,1 1.8THD,17 O.D.,8.8,6194M (BAL CHAIN GDE) (Service Lane Part)		2005 - 2007	02
243	90537369	00.659		GUIDE, BALR CHAIN (LOWER) (Service Lane Part)	A (LSJ)	2005 - 2007	01
245	12635427	01.109		CHAIN, W/PMP & BAL SHF (Service Lane Part)	A (LSJ)	2005 - 2007	01
246	90537300	01.060		TENSIONER, W/PMP & BAL SHF CHAIN (ACDelco #90537300) (Service Lane Part)	A (LSJ)	2005 - 2007	01
247	11588714	08.900		BOLT, HFH,M6X1X30,22.7 THD,14.2 OD,8.8,GMW3359, M- PT. (BAL CHAIN ADJ GDE) (Service Lane Part)		2005 - 2007	02
248	90537299	00.659		GUIDE, BALR CHAIN ADJ (Service Lane Part)	A (LSJ)	2005 - 2007	01
249	11588714	08.900		BOLT, HFH,M6X1X30,22.7 THD,14.2 OD,8.8,GMW3359, M- PT. (BAL CHAIN ADJ GDE) (Service Lane Part)		2005 - 2007	01
314	90537298	01.109		SPROCKET, W/PMP (Service Lane Part)	A (LSJ)	2005 - 2007	01
315	11518061	08.900		BOLT, HFH, M6X1X13, 10 THD, 14.2 OD, GMW25M (8.8) STL,GMW14C-PT (W/PMP SPKT) (Service Lane Part)		2005 - 2007	03
414	22531637	00.206		PIN, ENG FRT CVR LOC (8MM DIA,12MM LONG) (DOWEL) (0.413) (Service Lane Part)	A (LSJ)	2005 - 2007	02

							y
427	12583151	00.659		ABSORBER, CR/SHF BALR (6 RIB- FWD W/HPS) (Service Lane Part)	A (LSJ)	2005 - 2007	01
428	11589123	08.900		BOLT, HFH,W/CON WA,M14X1.5X118, 103 THD, 44 THD, 10.9, 6047M (W/CAPTURED WASHER-ATTACHED) (INCLS 429) (Service Lane Part)		2005 - 2007	01
429		NS		WASHER, CR/SHF BALR (PART OF 428)		2005 - 2007	
700	12789959	02.383		SENSOR, CR/SHF POSN (ACDelco #213- 4704) (Service Lane Part)	A (LSJ)	2005 - 2007	01
701	11518062	08.900		BOLT, HFH,M6X1X20,17.5 THD,14.2 O.D.,8.8, GMW14C-PT (CR/SHF POSN SEN)		2005 - 2007	01
User Note: Replaced by 11588712							
702	15800776	02.383		HARNESS, CR/SHF POSN SEN WRG	AP (LSJ)	2005 - 2007	01
703	12567711	02.383		SENSOR, KNOCK (ACDelco #213-969) (Service Lane Part)	A (LSJ)	2005 - 2007	01
K01	12591092	00.096		BEARING KIT, CR/SHF (INCLS 101,102,104,105) (FULL SET) (Service Lane Part)	A (LSJ) (EXC CV2)	2005 - 2007	01

C - Chevrolet >2007 >A - 1A1 - Cobalt >00 - 4-CYLINDER ENGINE >(1A00-007) 2005-2007 AP ENGINE ASM-2.0L L4 PART 2 CYLINDER HEAD & RELATED PARTS (LSJ/2.0P) >

1A00-007 01/20/2010



kb



Make: Chevrolet

Year: 2007

Model: Cobalt

C - Chevrolet >2007 >A - 1A1 - Cobalt >00 - 4-CYLINDER ENGINE >(1A00-007) 2005-2007 AP ENGINE ASM-2.0L L4 PART 2 CYLINDER HEAD & RELATED PARTS (LSJ/2.0P) >

Call	Part #	Group	H	Description	Usage	Year	Qty
116	90537102	00.293		PIN, CYL HD LOC (Service Lane Part)	A (LSJ)	2005 - 2007	02
200	55352039	00.289		GASKET, CYL HD (*KIT1) (ACDelco #55352039) (Service Lane Part)	A (LSJ)	2005 - 2007	01
201	12791961	00.297		VALVE, EXH (Service Lane Part)	A (LSJ)	2005 - 2007	08
202	12786696	00.296		VALVE, INT (Service Lane Part)	A (LSJ)	2005 - 2007	08
203	11588880	00.206		PLUG, TMG CHAIN GDE ACC HOLE (Service Lane Part)	A (LSJ)	2005 - 2007	01
204	12593736	00.269		HEAD, CYL (SERV PARTIAL) (INCLS 205,217,221,222,251,25 2,905)	A (LSJ)	2005 - 2007	01
205		NS		PLUG, CYL HD CORE HOLE (PART OF 204)		2005 - 2007	
208	90537691	00.293		BOLT, CYL HD (M11X1.5X163) (MUST REPLACE BOLT WHEN REMOVED) (*KIT1) (Service Lane Part)	A (LSJ)	2005 - 2007	10
209	24407225	00.293		BOLT, CYL HD (M8X1.25X60) (MUST REPLACE BOLT WHEN REMOVED) (*KIT1) (Service Lane Part)	A (LSJ)	2005 - 2007	04
210	90537241	00.308		SEAL, VLV STEM OIL (*KIT1) (Service Lane Part)	A (LSJ)	2005 - 2007	16
211	90537032	00.303		SPRING, VLV (Service Lane Part)	A (LSJ)	2005 - 2007	16
212	90537243	00.303		RETAINER, VLV SPR (Service Lane Part)	A (LSJ)	2005 - 2007	16
213	90354648	00.310		KEY, VLV STEM (Service Lane Part)	A (LSJ)	2005 - 2007	32
214	12572638	00.459		ADJUSTER, HYD VLV LASH (ACDelco #HL129) (Service Lane Part)	A (LSJ)	2005 - 2007	16

							y
215	12656486	00.333		ARM, VLV RKR (W/O BOLT) (Service Lane Part)	A (LSJ)	2005 - 2007	16
216	12584363	00.519		CAMSHAFT, EXH (MCHG) (INCLS 904) (Service Lane Part)	A (LSJ)	2005 - 2007	01
217		NS		CAP, CM/SHF BRG RR (PART OF 204)		2005 - 2007	
220	12587985	00.519		CAMSHAFT, INT (MCHG) (Service Lane Part)	A (LSJ)	2005 - 2007	01
221		NS		CAP, CM/SHF BRG (PART OF 204)		2005 - 2007	
222	11519970	08.900		BOLT, HFH,M6X1X40,18 THD, 14.2 OD,8.8 STL, GMW3359 (PART OF 204) (Service Lane Part)		2005 - 2007	20
251		NS		CAP, CM/SHF BRG RR (PART OF 204)		2005 - 2007	
252	11518051	08.900		BOLT, HFH M8X1.25X40,THD 22,OD 18,8.8,GMW14C-PT,REDUCED BODY,HDR POINT (PART OF 204) (Service Lane Part)		2005 - 2007	04
330	12584347	DISCON		PIPE, ENG COOL AIR BL (INCLS 331,332,729,730,900,901)	A (LSJ)	2005 - 2007	01
331	12797711	DISCON		BOLT, ENG COOL AIR BL PIPE (PART OF 330)	A (LSJ)	2005 - 2007	01
332		NS		BOLT, ENG CLG AIR OTLT DUCT (PART OF 330)		2005 - 2007	
413	12643759	01.758		CAP, OIL FIL (DEXOS, SAE 5W30, NON-VENTED, W/SEAL, W/TURNING EARS, NOT ROUND) (INCLS 902) (ACDelco #FC244) (Service Lane Part)	A (LSJ)	2005 - 2007	01
513	90537687	00.423		SEAL, CM/SHF CVR (PART OF 514) (0.289) (Service Lane Part)	A (LSJ)	2005 - 2007	01

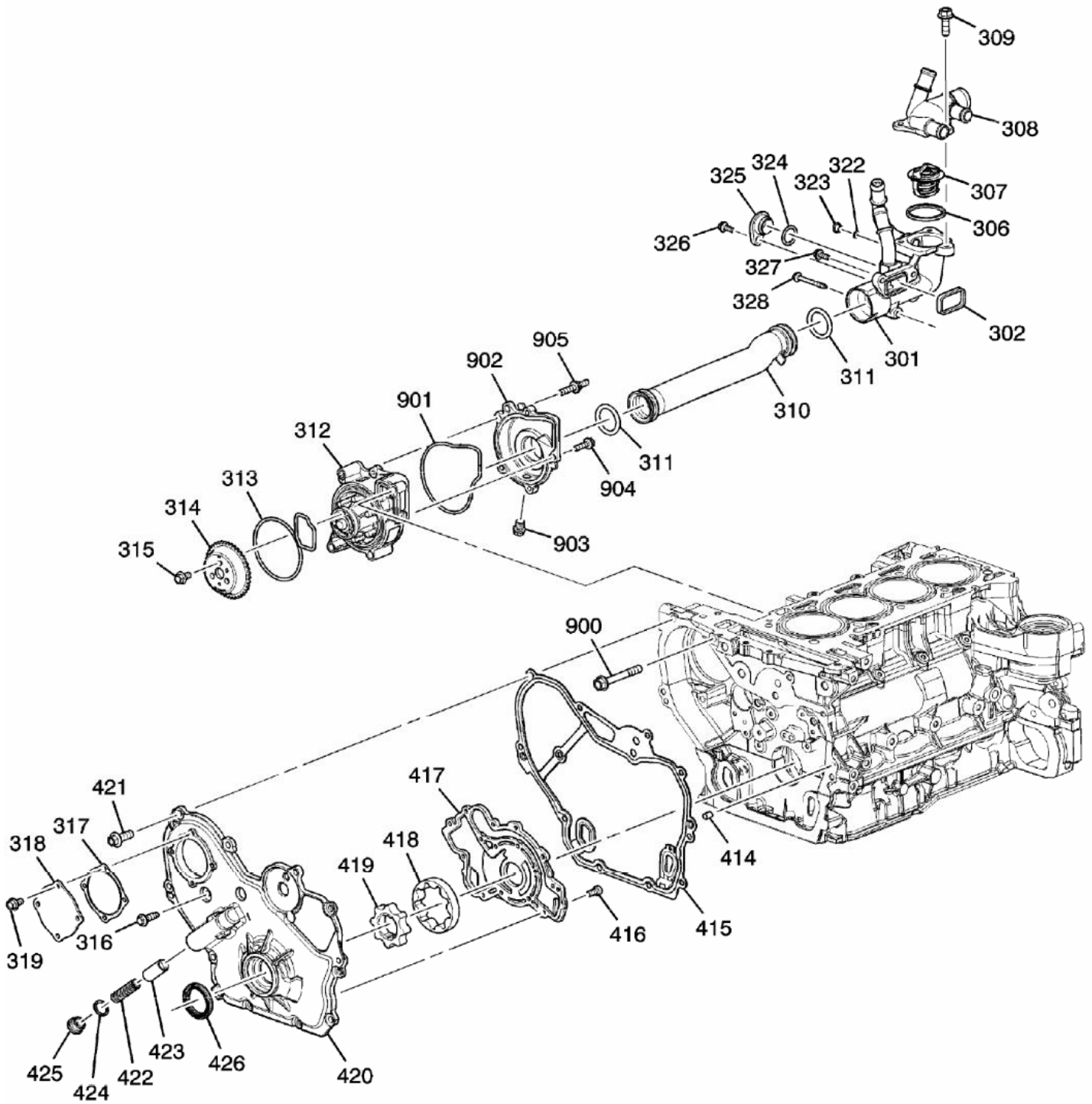
							y
514	12797659	00.386		COVER, CM/SHF (INCLS 513,515) (Service Lane Part)	A (LSJ)	2005 - 2007	01
515	12789896	00.553		BOLT, CM/SHF HSG CVR (INCL INSULATOR) (PART OF 514) (0.413) (Service Lane Part)	A (LSJ)	2005 - 2007	14
517	11589054	08.981		STUD, STRAIGHT, M8X1.25X20, M8X1.25X16,W/ADH GM6175M,10.9,GM7111 M,HDR (EXH MANIF) (Service Lane Part)		2005 - 2007	02
531	12768422	02.383		COVER, ELEK ICM (ACDelco #12768422) (Service Lane Part)	A (LSJ)	2005 - 2007	01
532	12789897	02.383		BOLT, ELEK ICM CVR (0.413) (Service Lane Part)	A (LSJ)	2005 - 2007	04
709		NS		BRACKET, ENG LIFT FRT		2005 - 2007	
710		08.900		BOLT, HFH, THD 22, OD 17, 8.8, GMW14C- PT, HDR POINT (ENG LIFT RR BRKT) (Service Lane Part)		2005 - 2007	01
714	12578144	00.293		PLATE, CYL HD OPG (INCLS 903) (FOR P/S PUMP OPG IN CAM COVER) (Service Lane Part)	A (LSJ)	2005 - 2007	01
716	11519137	08.900		STUD-HFH, M8X1.25X16,M8X1.25X 30,18 OD,10.9,GMW14C-PT (CYL HD OPG PLT) (DOUBLE ENDED HVY HX FLG HD) (Service Lane Part)		2005 - 2007	02
717	12610767	02.270		SPARK PLUG, (ACDelco #41-106) (IRIDIUM) (Service Lane Part)	A (LSJ)	2005 - 2007	04
718	11519141	08.900		BOLT, HFH,M6X1.0X16,HDR PT,8.8 (CM/SHF CVR GND CBL) (Service		2005 - 2007	02

							y
719	12568186	00.386		CABLE, CM/SHF CVR GND (**VPI 1-877-846- 8243)	A (LSJ)	2005 - 2007	01
720	11518473	00.529		STUD, CM/SHF CVR GND CBL (3.300) (Service Lane Part)	A (LSJ)	2005 - 2007	02
729	12615136	03.682		SENSOR, BARO PRESS (PART OF 330) (MATING CONN W/LEADS USE 88987997) (3.342) (ACDelco #213-1631) (Service Lane Part)	A (LSJ)	2005 - 2007	01
730	11589084	03.682		BOLT, BARO PRESS SEN BRKT (PART OF 330) (M6X1X20,17.5 THD) (12 OD) (Service Lane Part)	A (LSJ)	2005 - 2007	02
731	12584079	02.383		SENSOR, CM/SHF POSN (EXHAUST) (W/ANGLE CONNECTOR) (ACDelco #213-1557) (Service Lane Part)	A (LSJ)	2005 - 2007	01
732	11519137	08.900		STUD-HFH, M8X1.25X16,M8X1.25X 30,18 OD,10.9,GMW14C-PT (CM/SHF POSN SEN) (DOUBLE ENDED HVY HX FLG HD) (Service Lane Part)		2005 - 2007	01
733	12600009	DISCON		SEAL, CM/SHF POSN SEN HSG OIL (O RING) (PART OF 734)	A (LSJ)	2005 - 2007	01
734	12600008	02.362		HOUSING, CM/SHF POSN SEN (INCLS 733) (Service Lane Part)	A (LSJ)	2005 - 2007	01
735	11519137	08.900		STUD-HFH, M8X1.25X16,M8X1.25X 30,18 OD,10.9,GMW14C-PT (CM/SHF POSN SEN) (DOUBLE ENDED HVY HX FLG HD) (Service Lane Part)		2005 - 2007	01
738	12584368	02.383		MODULE, ELEK IGN CONT (Service Lane	A (LSJ)	2005 - 2007	04

							y
739	11588712	08.900		BOLT, HFH,M6X1X20,17.5 THD,14.2 O.D.,8.8, GMW3359 (ELEK ICM CVR) (Service Lane Part)		2005 - 2007	04
900	92150433	01.020		GASKET, ENG CLG AIR OTLT DUCT (PART OF 330) (8.846) (ACDelco #92150433) (Service Lane Part)	A (LSJ)	2005 - 2007	02
901		NS		BRACKET, BARO PRESS SEN (PART OF 330)		2005 - 2007	
902	12593348	01.758		SEAL, OIL FIL CAP (O RING) (PART OF 413) (27.94MM INNER DIAM) (SIZE #320) (ACDelco #12593348) (Service Lane Part)	A	2005 - 2007	01
903	12578146	00.293		SEAL, CYL HD OPG PLT (O RING) (PART OF 714) (Service Lane Part)	A (LSJ)	2005 - 2007	01
904	24572945	DISCON		ADAPTER, P/S PUMP DRV (PART OF 216)	A (LSJ)	2005 - 2007	01
905	90537104	00.539		PIN, CM/SHF BRG RR CAP LOC (PART OF 204) (10MM HOLLOW SPLIT PIN) (Service Lane Part)	A (LSJ)	2005 - 2007	04
K01	12595961	00.289		GASKET KIT, CYL HD (INCLS 200,208-210) (LESS VLV COVER GSKTS) (Service Lane Part)	A (LSJ)	2005 - 2007	01

C - Chevrolet >2007 >A - 1A1 - Cobalt >00 - 4-CYLINDER ENGINE >(1A00-008) 2005-2007 AP ENGINE ASM-2.0L L4 PART 3 FRONT COVER & COOLING (LSJ/2.0P) >

1A00-008 01/20/2010



kb



Make: Chevrolet

Year: 2007

Model: Cobalt

C - Chevrolet >2007 >A - 1A1 - Cobalt >00 - 4-CYLINDER ENGINE >(1A00-008) 2005-2007 AP ENGINE ASM-2.0L L4 PART 3 FRONT COVER & COOLING (LSJ/2.0P) >

Call	Part #	Group	H	Description	Usage	Year	Qty
301	12583152	01.251		HOUSING, ENG COOL THERM (**VPI 1-877-846-8243)	A (LSJ)	2005 - 2007	01
302	90537471	01.252		SEAL, WAT INL (ROUND WILL CHANGE TO OBLONG SHAPE WHEN ASSEMBLED) (ACDelco #90537471) (Service Lane Part)	A (LSJ)	2005 - 2007	01
306	03522676	01.252		SEAL, ENG COOL THERM (O RING) (PART OF 307) (SQUARE CUT) (ACDelco #3522676) (Service Lane Part)	A (LSJ)	2005 - 2007	01
307	12622410	01.246		THERMOSTAT, ENG COOL (INCLS 306) (ACDelco #131-158) (Service Lane Part)	A (LSJ)	2005 - 2007	01
308	12583142	DISCON		COVER, ENG COOL THERM HSG	A (LSJ)	2005 - 2007	01
309	11588712	08.900		BOLT, HFH,M6X1X20,17.5 THD,14.2 O.D.,8.8, GMW3359 (ENG COOL THERM HSG CVR) (Service Lane Part)		2005 - 2007	03
310	90490640	01.173		PIPE, RAD OTLT (1.073) (Service Lane Part)	A (LSJ)	2005 - 2007	01
311	90537379	01.173		SEAL, RAD OTLT PIPE (O RING) (Service Lane Part)	A (LSJ)	2005 - 2007	02
312		01.069		PUMP KIT, WAT (INCLS 313-315,901-905)		2005 - 2007	
313	24439799	01.079		GASKET, W/PMP (PART OF 312) (ACDelco #251-2053) (Service Lane Part)	A (LSJ)	2005 - 2007	01
314	90537298	01.109		SPROCKET, W/PMP (PART OF 312)	A (LSJ)	2005 - 2007	01

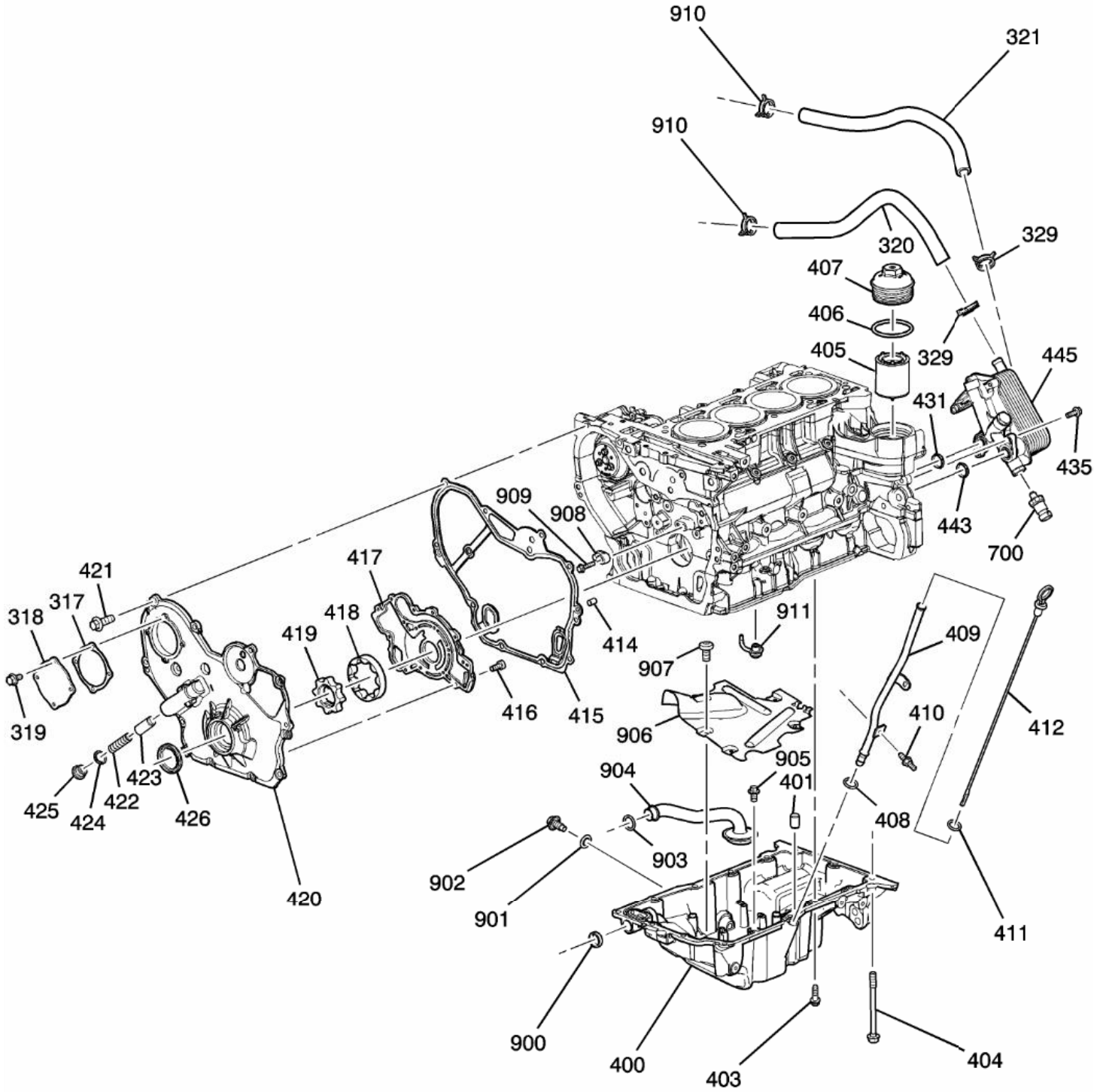
							y
315	11518061	08.900		BOLT, HFH, M6X1X13, 10 THD, 14.2 OD, GMW25M (8.8) STL,GMW14C-PT (PART OF 312) (Service Lane Part)		2005 - 2007	03
316	11588735	08.900		BOLT, HFH,M8X1.25X100,22 THD,18 OD,8.8 STL,GMW3359,M-PT (W/PMP) (Service Lane Part)		2005 - 2007	01
317	90537915	01.073		SEAL, W/PMP ACC HOLE CVR (O RING) (PART OF 420) (1.123) (Service Lane Part)	A (LSJ)	2005 - 2007	01
318	90537266	01.073		COVER, W/PMP ACC HOLE (PART OF 420) (Service Lane Part)	A (LSJ)	2005 - 2007	01
319	11518061	08.900		BOLT, HFH, M6X1X13, 10 THD, 14.2 OD, GMW25M (8.8) STL,GMW14C-PT (PART OF 420) (Service Lane Part)		2005 - 2007	04
322		NS		SEAL, ENG COOL INL PLUG		2005 - 2007	
323	11609916	01.097		PLUG, ENG COOL INL (M14X1.5X21.5) (0.253) (Service Lane Part)	A (LSJ)	2005 - 2007	01
324		NS		SEAL, ENG COOL HTR (O RING)		2005 - 2007	
325		NS		PLUG, ENG COOL HTR HOLE		2005 - 2007	
326	11588712	08.900		BOLT, HFH,M6X1X20,17.5 THD,14.2 O.D.,8.8, GMW3359 (ENG WAT OTLT ADAP) (Service Lane Part)		2005 - 2007	01
327	11588712	08.900		BOLT, HFH,M6X1X20,17.5 THD,14.2 O.D.,8.8, GMW3359 (ENG COOL THERM HSG) (Service Lane Part)		2005 - 2007	02
328	11900171	01.251		BOLT, ENG COOL THERM HSG	A (LSJ)	2005 - 2007	01

							y
414	22531637	00.206		PIN, ENG FRT CVR LOC (8MM DIA,12MM LONG) (DOWEL) (0.413) (Service Lane Part)	A (LSJ)	2005 - 2007	02
415	24435052	00.207		GASKET, ENG FRT CVR (ACDelco #24435052) (Service Lane Part)	A (LSJ)	2005 - 2007	01
416		NS		BOLT, O/PMP FRT CVR (PART OF 420)		2005 - 2007	
417	90537266	01.073		COVER, W/PMP ACC HOLE (PART OF 420) (Service Lane Part)	A (LSJ)	2005 - 2007	01
418		NS		GEAR, O/PMP (PART OF 420)		2005 - 2007	
419		NS		GEAR, O/PMP DRVN (PART OF 420)		2005 - 2007	
420	12637040	00.206		COVER, ENG FRT (W/OIL PMP) (INCLS 317-319,416-419,422- 426) (Service Lane Part)	A (LSJ)	2005 - 2007	01
421	11518075	08.900		BOLT, HFH, THD 22, OD 17, 8.8, GMW14C- PT, HDR POINT (ENG FRT CVR) (Service Lane Part)		2005 - 2007	08
422		NS		SPRING, OIL PRESS RLF VLV (PART OF 420)		2005 - 2007	
423		NS		VALVE, OIL PRESS RLF (PART OF 420)		2005 - 2007	
424	11093042	01.609		SEAL, OIL PRESS RLF VLV SPR SEAT (O RING) (PART OF 420) (1.655) (Service Lane Part)	A (LSJ)	2005 - 2007	01
425		NS		SEAT, OIL PRESS RLF VLV SPR (PART OF 420)		2005 - 2007	
426	12584041	00.213		SEAL, CR/SHF FRT OIL (PART OF 420) (ACDelco #296-16) (Service Lane Part)	A (LSJ)	2006 - 2007	01

							y
900	11900262	08.900		BOLT, HFH,M8X1.25X69.15,19 THD,18 OD, 8.8 STL, GMW3359,REDUCED BODY (W/PMP) (Service Lane Part)		2005 - 2007	02
901	24446365	01.123		SEAL, W/PMP CVR (O RING) (PART OF 312) (Service Lane Part)	A (LSJ)	2005 - 2007	01
902		NS		COVER, W/PMP (PART OF 312)		2005 - 2007	
903	12586573	00.034		PLUG, ENG BLK COOL DRN HOLE (PART OF 312) (M12X1.5X12) (Service Lane Part)	A (LSJ)	2005 - 2007	01
904	11518063	08.900		BOLT, HFH, M8X1X25,14.2 O.D.8.8, GMW14C (PART OF 312) (Service Lane Part)		2005 - 2007	04
905	11609473	08.981		STUD, HFH,6X1X25,6X1X16,1 4.2 OD,47.6 TL,9.8,6280M,HDR-PTS (PART OF 312) (Service Lane Part)		2005 - 2007	01

C - Chevrolet >2007 >A - 1A1 - Cobalt >00 - 4-CYLINDER ENGINE >(1A00-018) 2005-2007 AP ENGINE ASM-2.0L L4 PART 4 OIL PUMP,PAN & RELATED PARTS(INCLS FRT COVER)(LSJ/2.0P) >

1A00-018 06/21/2007



Make: Chevrolet

Year: 2007

Model: Cobalt

C - Chevrolet >2007 >A - 1A1 - Cobalt >00 - 4-CYLINDER ENGINE >(1A00-018) 2005-2007 AP ENGINE ASM-2.0L L4 PART 4 OIL PUMP,PAN & RELATED PARTS(INCLS FRT COVER)(LSJ/2.0P) >

Call	Part #	Group	H	Description	Usage	Year	Qty
317	90537915	01.073		SEAL, W/PMP ACC HOLE CVR (O RING) (PART OF 420) (1.123) (Service Lane Part)	A (LSJ)	2005 - 2007	01
318	90537266	01.073		COVER, W/PMP ACC HOLE (PART OF 420) (Service Lane Part)	A (LSJ)	2005 - 2007	01
319	11518061	08.900		BOLT, HFH, M6X1X13, 10 THD, 14.2 OD, GMW25M (8.8) STL,GMW14C-PT (PART OF 420) (Service Lane Part)		2005 - 2007	04
320	12786238	01.540		HOSE, ENG OIL CLR COOL INL (OTLT) (1.153) (Service Lane Part)	A (LSJ)	2005 - 2007	01
321	12786237	01.540		HOSE, ENG OIL CLR COOL INL (1.097) (Service Lane Part)	A (LSJ)	2005 - 2007	01
329	90573612	DISCON		CLAMP, ENG OIL CLR HOSE	A (LSJ)	2005 - 2007	02
400	55558816	01.426		PAN, OIL (INCLS 900-907) (INC;LDS OIL SUCTION PIPE AND SCREEN) (Service Lane Part)	A (LSJ)	2005 - 2007	01
401	22531637	01.428		PIN, OIL PAN LOC (8MM DIA,12MM LONG) (DOWEL) (0.413) (Service Lane Part)	A (LSJ)	2005 - 2007	02
403	11518075	08.900		BOLT, HFH, THD 22, OD 17, 8.8, GMW14C-PT, HDR POINT (OIL PAN) (Service Lane Part)		2005 - 2007	14
404	11588735	08.900		BOLT, HFH,M8X1.25X100,22 THD,18 OD,8.8 STL,GMW3359,M-PT (OIL PAN) (Service Lane Part)		2005 - 2007	01

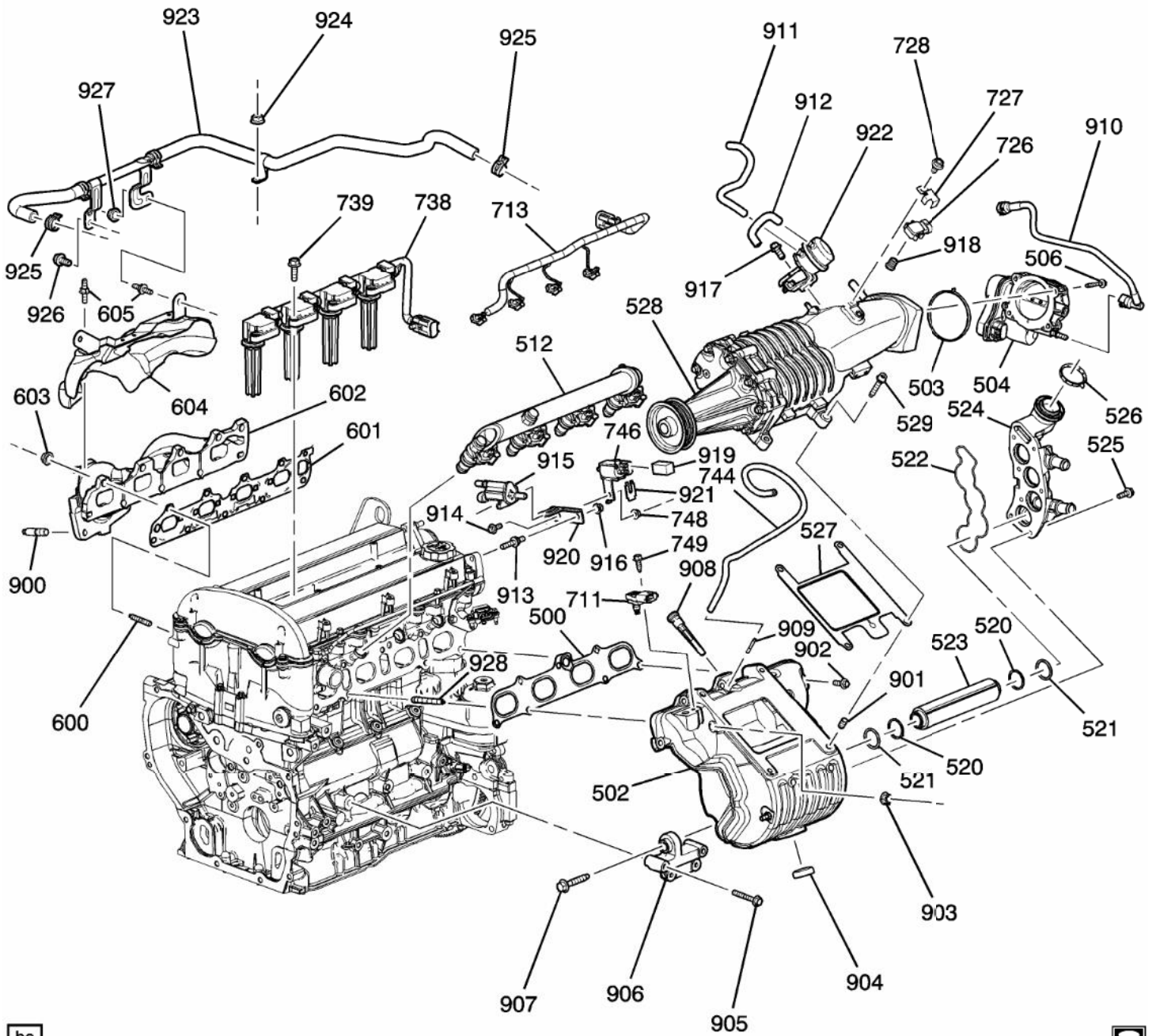
							y
405	12605566	01.836		FILTER, OIL (FILTER ONLY) (PART OF 407) (ACDelco #PF457G) (Service Lane Part)	A (LSJ)	2005 - 2007	01
406	12580255	01.844		SEAL, OIL FLTR CAP (O RING) (PART OF 407) (ACDelco #12580255) (Service Lane Part)	A (LSJ)	2005 - 2007	01
407	12605565	01.836		FILTER, OIL (INCLS FILTER,CAP & CAP SEAL) (INCLS 405,406) (FILTER,CAP AND CAP O-RING) (ACDelco #PF458G) (Service Lane Part)	A (LSJ)	2005 - 2007	01
408		NS		SEAL, OIL LVL IND (O RING) (PART OF 409)		2005 - 2007	
409	12583153	01.516		TUBE, OIL LVL IND (INCLS 408) (Service Lane Part)	A (LSJ)	2005 - 2007	01
410	11518950	08.981		STUD, HFH,M6X1X16,M6X1X14,34.7 TL,13 O.D.,10.9,GMW3359 (OIL LVL IND TUBE) (Service Lane Part)		2005 - 2007	01
411	90529866	01.516		SEAL, OIL LVL IND (O RING) (PART OF 412) (Service Lane Part)	A (LSJ)	2005 - 2007	02
412	24428553	01.516		INDICATOR, OIL LVL (INCLS 411) (Service Lane Part)	A (LSJ)	2005 - 2007	01
414	22531637	00.206		PIN, ENG FRT CVR LOC (PART OF 420) (8MM DIA,12MM LONG) (DOWEL) (0.413) (Service Lane Part)	A (LSJ)	2005 - 2007	02
415	24435052	00.207		GASKET, ENG FRT CVR (PART OF 420) (ACDelco #24435052) (Service Lane Part)	A (LSJ)	2005 - 2007	01
416		NS		BOLT, O/PMP FRT CVR (PART OF 420)		2005 - 2007	
417	90537266	01.073		COVER, W/PMP ACC HOLE (PART OF 420) (Service Lane Part)	A (LSJ)	2005 - 2007	01
418		NS		GEAR, O/PMP (PART		2005 - 2007	

							y
419		NS		GEAR, O/PMP DRVN (PART OF 420)		2005 - 2007	
420	12637040	00.206		COVER, ENG FRT (W/OIL PMP) (INCLS 317-319,414-419,422- 425) (Service Lane Part)	A (LSJ)	2005 - 2007	01
421	11518075	08.900		BOLT, HFH, THD 22, OD 17, 8.8, GMW14C- PT, HDR POINT (ENG FRT CVR) (Service Lane Part)		2005 - 2007	08
422		NS		SPRING, OIL PRESS RLF VLV (PART OF 420)		2005 - 2007	
423		NS		VALVE, OIL PRESS RLF (PART OF 420)		2005 - 2007	
424	11093042	01.609		SEAL, OIL PRESS RLF VLV SPR SEAT (O RING) (PART OF 420) (1.655) (Service Lane Part)	A (LSJ)	2005 - 2007	01
425		NS		SEAT, OIL PRESS RLF VLV SPR (PART OF 420)		2005 - 2007	
426	12584041	00.213		SEAL, CR/SHF FRT OIL (ACDelco #296-16) (Service Lane Part)	A (LSJ)	2006 - 2007	01
431		NS		SEAL, ENG OIL CLR (PART OF 445) (*KIT1)		2005 - 2007	
435	11518075	08.900		BOLT, HFH, THD 22, OD 17, 8.8, GMW14C- PT, HDR POINT (ENG OIL CLR THERM HSG) (Service Lane Part)		2005 - 2007	02
443		NS		SEAL, ENG OIL CLR (PART OF 445) (*KIT1)		2005 - 2007	
445	12786259	01.540		COOLER, ENG OIL (INCLS 431,443) (INCLS SEALS) (Service Lane Part)	A (LSJ)	2005 - 2007	01
700	12635992	01.800		SWITCH, ENG OIL PRESS IND (USE T/W MATING CONN 12085500 1 WAY FEMALE W/LEADS) (ACDelco #D1849A) (Service Lane Part)	A (LSJ)	2005 - 2007	01

							y
900		NS		PLUG, OIL PAN HOLE (PART OF 400)		2005 - 2007	
901	12616850	01.456		SEAL, OIL PAN DRN PLUG (O RING) (PART OF 400) (DIA 19.39) (Service Lane Part)	A (LSJ)	2007 - 2007	01
902	11562588	01.453		PLUG, OIL PAN DRN (PART OF 400) (M12X1.75X25) (W/SEAL) (EXC MAGNET) (Service Lane Part)	A (LSJ)	2005 - 2007	01
903	90537413	01.656		SEAL, O/PMP SUC PIPE (O RING) (PART OF 400) (Service Lane Part)	A (LSJ)	2005 - 2007	01
904		NS		PIPE, O/PMP SUC (PART OF 400)		2005 - 2007	
905	92150370	DISCON		BOLT, O/PMP SUC PIPE (PART OF 400)	A (LSJ)	2005 - 2007	02
906	12787810	01.430		BAFFLE, OIL PAN (PART OF 400)	A (LSJ)	2005 - 2007	01
907	92153025	01.430		BOLT, OIL PAN BFL (PART OF 400) (Service Lane Part)	A (LSJ)	2005 - 2007	05
908	12577163	00.748		NOZZLE, TMG CHAIN OIL (LESS SPRING) (Service Lane Part)	A (LSJ)	2005 - 2007	01
909	11588714	08.900		BOLT, HFH,M6X1X30,22.7 THD,14.2 OD,8.8,GMW3359, M- PT. (TMG CHAIN OIL NOZ) (Service Lane Part)		2005 - 2007	01
910	90573605	01.540		CLAMP, ENG OIL CLR HOSE (AT THERMOSTAT)	A (LSJ)	2005 - 2007	02
911	12791255	01.531		NOZZLE, PSTN OIL (Service Lane Part)	A (LSJ)	2005 - 2007	04
K01	93181988	01.550		GASKET, ENG OIL CLR (INCLS 431,443) (CONTAINS 4 SEALS (3 COMMON/1 UNIQUE)) (ACDelco #93181988) (Service Lane Part)	A (LSJ)	2005 - 2007	01

C - Chevrolet >2007 >A - 1A1 - Cobalt >00 - 4-CYLINDER ENGINE >(1A00-010) 2005-2007 AP ENGINE ASM-2.0L L4 PART 5
MANIFOLDS,SUPERCHARGER & FUEL RELATED PARTS (LSJ/2.0P) >

1A00-010 11/11/2010



Make: Chevrolet

Year: 2007

Model: Cobalt

C - Chevrolet >2007 >A - 1A1 - Cobalt >00 - 4-CYLINDER ENGINE >(1A00-010) 2005-2007 AP ENGINE ASM-2.0L L4 PART 5
 MANIFOLDS,SUPERCHARGER & FUEL RELATED PARTS (LSJ/2.0P) >

Call	Part #	Group	H	Description	Usage	Year	Qty
500	12597855	03.270		GASKET, INT MANIF (*KIT1) (Service Lane Part)	A (LSJ)	2005 - 2007	01
502	12584348	03.265		MANIFOLD, INT (INCLS 520- 526,711,749,901,902,90 4,908,909) (Service Lane Part)	A (LSJ)	2005 - 2007	01
503	12575463	03.336		SEAL, THROT BODY (ACDelco #217-1592) (Service Lane Part)	A (LSJ)	2005 - 2007	01
504	12565553	03.335		BODY, THROT (W/THROT ACTUATOR) (Service Lane Part)	A (LSJ)	2005 - 2007	01
User Note: TPS SENSOR IS PARTS OF THROT BODY							
506	11900248	08.900		BOLT - HFH, M6X1.00X45, GMW25 (8.8) STL, GMW3359, REDUCED BODY (THROT BODY) (Service Lane Part)		2005 - 2007	04
512		NS		INJECTOR, M/PORT FUEL (W/FUEL RL) (SEE GROUP 03.000 "FUEL INJECTOR RAIL" FOR DETAILED ILLUSTRATED VIEW)		2005 - 2007	
520		NS		SPACER, CHRGR AIR CLR INSL (PART OF 502)		2005 - 2007	
521	12584356	03.373		SEAL, CHRGR AIR CLR CLG TUBE (PART OF 502) (Service Lane Part)	A (LSJ)	2005 - 2007	08
522	12584355	03.373		SEAL, CHRGR AIR CLR CVR (PART OF 502) (Service Lane Part)	A (LSJ)	2005 - 2007	02
523		NS		TUBE, CHRGR AIR CLR CLG (PART OF 502)		2005 - 2007	

							y
524	12584351	03.342		COVER, SPCHG FRT (PART OF 502) (INCLS 526) (**VPI 1-877-846- 8243)	A (LSJ)	2005 - 2007	01
525	11518062	08.900		BOLT, HFH,M6X1X20,17.5 THD,14.2 O.D.,8.8, GMW14C-PT (PART OF 502)		2005 - 2007	07
User Note: Replaced by 11588712							
526	12584333	03.373		SEAL, CHRNG AIR BYPASS VLV TUBE (O RING) (PART OF 502,524) (Service Lane Part)	A (LSJ)	2005 - 2007	01
527	12584342	03.342		GASKET, SPCHG OTLT	A (LSJ)	2005 - 2007	01
528	12584331	03.342		SUPERCHARGER, ENG (INCLS 911,912,917,922) (INCLUDES PULLEY)	A (LSJ)	2005 - 2007	01
529	13171424	03.342		BOLT, SPCHG (T50 M8X 41) (6.521) (Service Lane Part)	A (LSJ)	2005 - 2007	04
600	11589054	08.981		STUD, STRAIGHT, M8X1.25X20, M8X1.25X16,W/ADH GM6175M,10.9,GM7111 M,HDR (EXH MANIF) (Service Lane Part)		2005 - 2007	10
601	09230949	03.270		GASKET, EXH MANIF (*KIT1) (ACDelco #09230949) (Service Lane Part)	A (LSJ)	2005 - 2007	01
602	12581284	03.601		MANIFOLD, EXH (Service Lane Part)	A (LSJ)	2005 - 2007	01
603	11609746	08.917		NUT, HFH,M8X1.25,8.9THK,1 7.6 O.D.,10 STL,GMW3200, PREV TORQUE (EXH MANIF) (Service Lane Part)		2005 - 2007	10
604	12587497	03.602		SHIELD, EXH MANIF UPR HT	A (LSJ)	2005 - 2007	01
605	11519792	08.981		STUD, HEX,M8X1.25X16,M8X1 .25X20,8.8,GMW14CPT (EXH MANIF H/SHLD) (Service Lane Part)		2005 - 2007	03

							y
711	90423637	03.682		SENSOR, INT AIR PRESS & TEMP (PART OF 502) (ACDelco #213-3907) (Service Lane Part)	A (LSJ)	2005 - 2007	01
713	12585214	02.525		HARNESS, F/INJR WRG	A (LSJ)	2005 - 2007	01
726	12614973	03.682		SENSOR, MAP (INCLS 918) (MATING CONN W/LEADS USE 88987997) (ACDelco #213-796) (Service Lane Part)	A (LSJ)	2005 - 2007	01
727	12588246	03.682		BRACKET, MAP SEN (Service Lane Part)	A (LSJ)	2005 - 2007	01
728	11589084	03.682		BOLT, MAP SEN BRKT (M6X1X20,17.5 THD) (12 OD) (Service Lane Part)	A (LSJ)	2005 - 2007	01
738	12584368	02.383		MODULE, ELEK IGN CONT (Service Lane Part)	A (LSJ)	2005 - 2007	04
739	12789897	02.383		BOLT, ELEK ICM CVR (0.413) (Service Lane Part)	A (LSJ)	2005 - 2007	04
744	12584337	03.374		HOSE, SPCHG BYPASS VLV ACTR (FEED) (Service Lane Part)	A (LSJ)	2005 - 2007	01
746	01997244	03.342		VALVE, SPCHG BYPASS (INCLS 919,921)	A (LSJ)	2005 - 2007	01
748	11516075	08.917		NUT, HFH SELF LK,M6X1,7.7THK,14.2 O.D.,9,PZOR (SPCHG BYPASS VLV ACTR) (Service Lane Part)		2005 - 2007	01
749	11588712	08.900		BOLT, HFH,M6X1X20,17.5 THD,14.2 O.D.,8.8, GMW3359 (PART OF 502) (Service Lane Part)		2005 - 2007	01
900	10160364	03.613		STUD, EXH MANIF PIPE (10X1.5X9.5,10X1.5X26 .5)	A	2005 - 2007	03

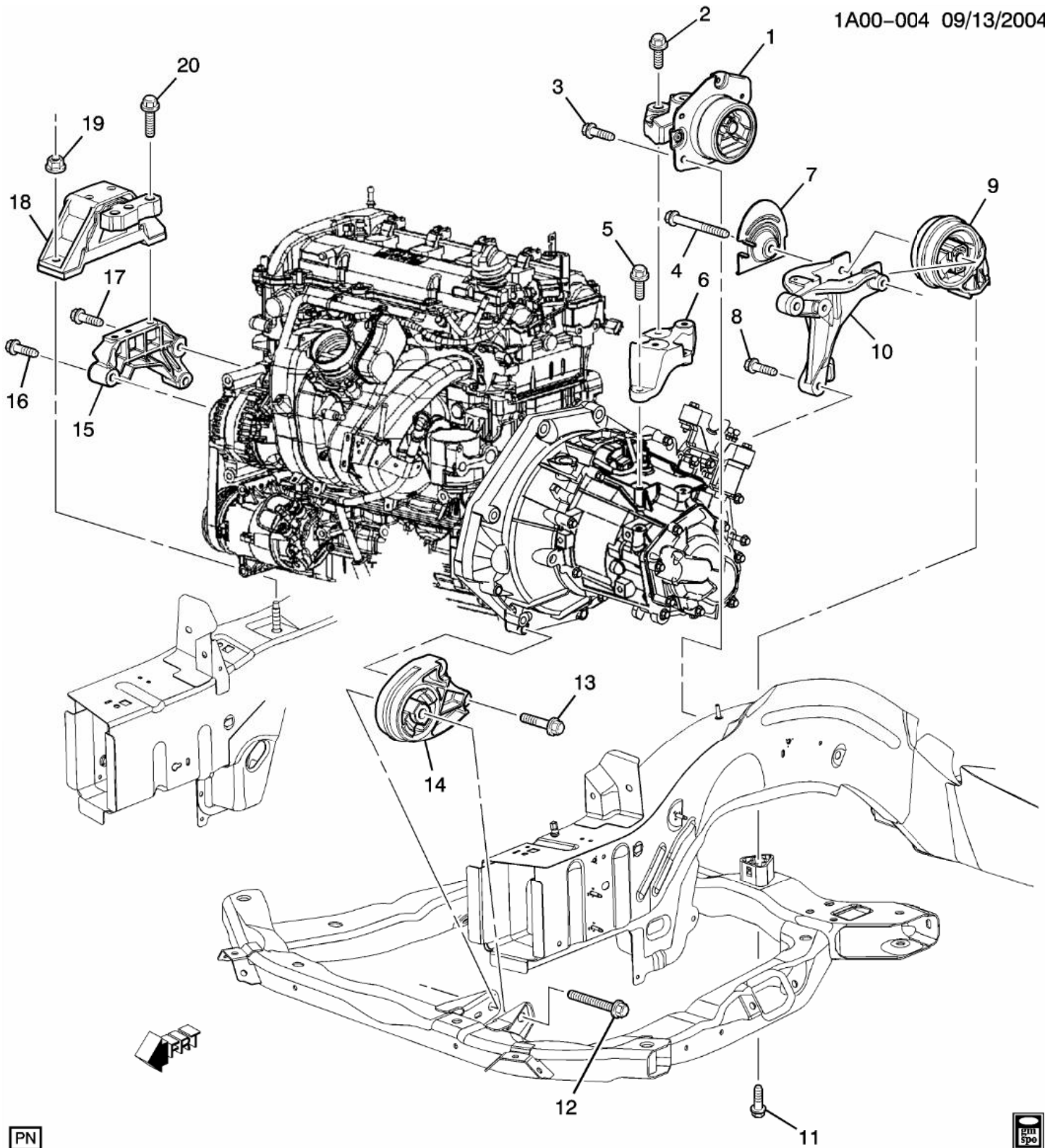
							y
901	90537104	03.342		PIN, SPCHG LOC (PART OF 502) (10MM HOLLOW SPLIT PIN) (0.539) (Service Lane Part)	A (LSJ)	2005 - 2007	02
902	11610176	03.275		BOLT, INT MANIF (PART OF 502) (Service Lane Part)	A (LSJ)	2005 - 2007	05
903	90497775	03.275		NUT, INT MANIF (**VPI 1-877-846-8243)	A (LSJ)	2005 - 2007	02
904		NS		PLUG, INT MANIF CORE HOLE (PART OF 502)		2005 - 2007	
905	10095393	08.900		BOLT, HWH,M8X1.25X55,6171 M,17 O.D.,6202M,PO (INT MAN BRKT) (Service Lane Part)		2005 - 2007	02
906	12586632	03.265		BRACE, INT MANIF (Service Lane Part)	A (LSJ)	2005 - 2007	01
907	11515770	08.900		BOLT, HFH,RED BODY,M10X1.5X50,TH D 22.3,9.8,7114,PZOR (INT MAN BRKT) (Service Lane Part)		2005 - 2007	01
908	55557180	01.745		VALVE, PCV (PART OF 502) (3.265) (USED T/W COVER 55555825) (Service Lane Part)	A (LSJ)	2005 - 2007	01
909	12584358	03.373		FITTING, CHRGR AIR CLR COOL OVFL HOSE (PART OF 502) (**VPI 1-877-846-8243)	A (LSJ)	2005 - 2007	01
910	12584369	03.145		TUBE, EVAP EMIS CNSTR PURGE (Service Lane Part)	A (LSJ)	2005 - 2007	01
911	12584338	03.374		HOSE, SPCHG BYPASS VLV ACTR (PART OF 528,922) (RETURN)	A (LSJ)	2005 - 2007	01
912	24507839	03.280		TUBE, VAC SCE MANIF (PART OF 528,922) ("J" SHAPED MAY BE SERVICED BY STRAIGHT HOSE) (Service Lane Part)	A (LSJ)	2005 - 2007	01
913		NS		STUD, EVAP EMIS CNSTR PURGE SOL		2005 - 2007	

							y
914	24504679	03.342		BOLT, SPCHG BYPASS VLV ACTR (HFH,M8X1.25X20,18 THD W/10MM OF 6124M ADH,17 O.D.,9.8,7114M) (Service Lane Part)	A (LSJ)	2005 - 2007	02
915	12597567	03.130		VALVE, EVAP EMIS CNSTR PURGE SOL (VALVE ONLY) (USE T/W 12579283 BRKT) (ACDelco #214-1680) (Service Lane Part)	A (LSJ)	2005 - 2007	01
916	11515742	08.917		NUT, PREVAILING TORQUE TENSION FLG HD (M8X1.25X17.4 OD (EVAP EMIS CNSTR PURGE SOL VLV)		2005 - 2007	01
User Note: USE P/N 11609746							
917	24504679	03.342		BOLT, SPCHG BYPASS VLV ACTR (PART OF 528,922) (HFH,M8X1.25X20,18 THD W/10MM OF 6124M ADH,17 O.D.,9.8,7114M) (Service Lane Part)	A (LSJ)	2005 - 2007	02
918	16194007	03.682		SEAL, MAP SEN (PART OF 726) (Service Lane Part)	A	2005 - 2007	01
919	00801528	03.342		FILTER, SPCHG BYPASS (PART OF 746) (2.408) (ACDelco #219-13) (Service Lane Part)	A (LSJ)	2005 - 2007	01
920	12596682	03.130		BRACKET, EVAP EMIS CNSTR PURGE SOL VLV (Service Lane Part)	A (LSJ)	2007 - 2007	01
921	01986014	03.342		CLIP, SPCHG BYPASS RET (PART OF 746) (3.671) (Service Lane Part)	A (LSJ)	2005 - 2007	01
922	12591349	03.342		ACTUATOR KIT, SPCHG BYPASS VLV (INCLS 911,912,917) (PART OF 528)	A (LSJ)	2005 - 2007	01

							y
923	12597630	DISCON		HOSE, C/CASE VENT (INCLS 925)	A (LSJ)	2005 - 2007	01
924	03530297	08.917		NUT, HFH,M6X1,5.85THK,14. 2 O.D.,10,ZOR (PCV TUBE) (Service Lane Part)		2005 - 2007	01
925		NS		CLAMP, C/CASE VENT HOSE (PART OF 923)		2005 - 2007	
926	11570903	08.900		BOLT, HFH,M8X1.25X20,12 THD,16 OD,10.9,GMW3359, 6MM MAT PT (PCV TUBE SUPT) (Service Lane Part)		2005 - 2007	01
927	11609746	08.917		NUT, HFH,M8X1.25,8.9THK,1 7.6 O.D.,10 STL,GMW3200, PREV TORQUE (PCV TUBE) (Service Lane Part)		2005 - 2007	01
928	11589146	03.275		STUD, INT MANIF (Service Lane Part)	A (LSJ)	2005 - 2007	02
K01	12595961	00.289		GASKET KIT, CYL HD (INCLS 500,601) (LESS VLV COVER GSKTS) (Service Lane Part)	A (LSJ)	2005 - 2007	01

C - Chevrolet >2007 >A - 1A1 - Cobalt >00 - 4-CYLINDER ENGINE >(1A00-004) 2005-2007 AP ENGINE & TRANSMISSION MOUNTING-L4 (LSJ/2.0P, MANUAL MU3) >

1A00-004 09/13/2004



Make: Chevrolet

Year: 2007

Model: Cobalt

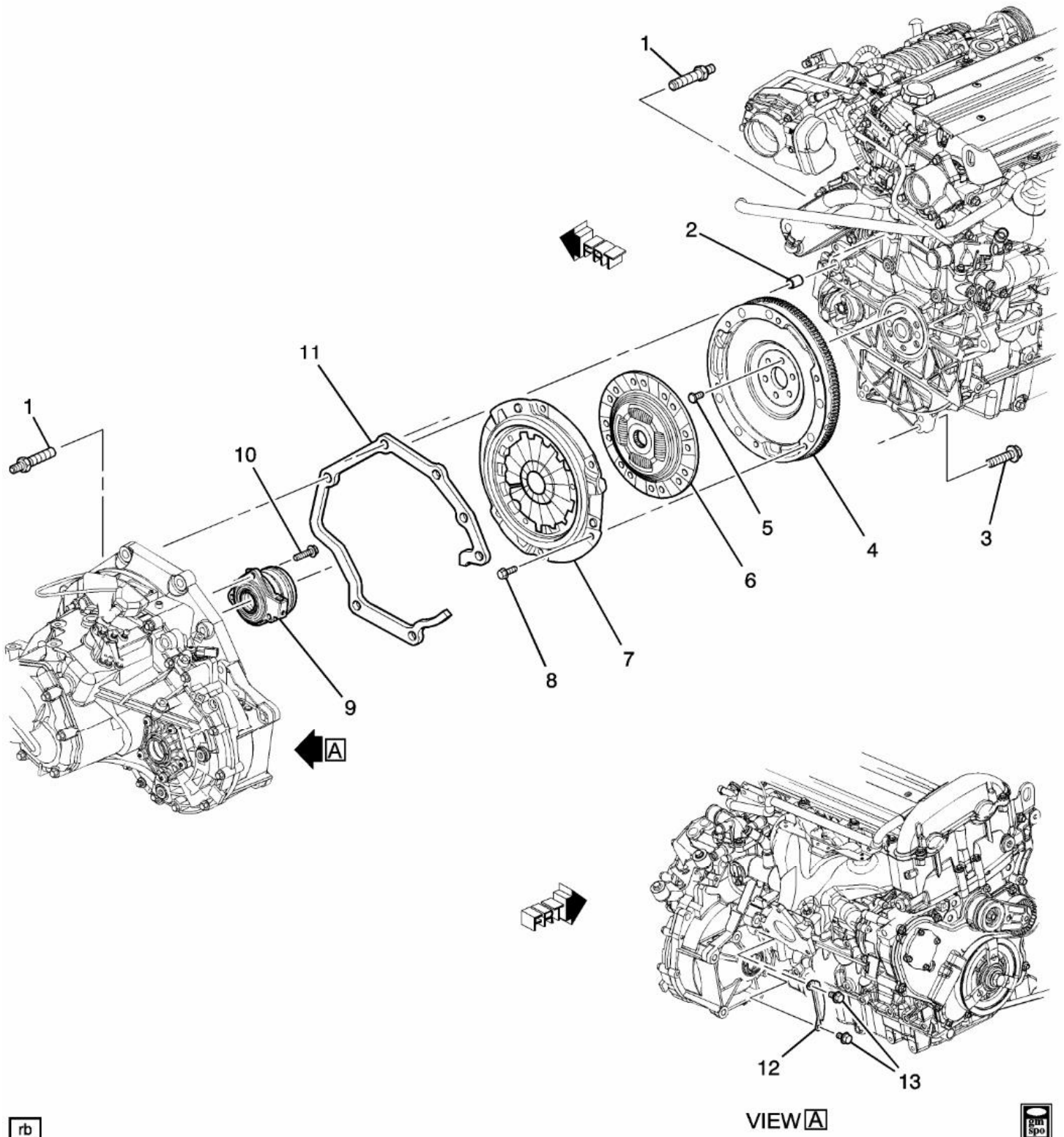
C - Chevrolet >2007 >A - 1A1 - Cobalt >00 - 4-CYLINDER ENGINE >(1A00-004) 2005-2007 AP ENGINE & TRANSMISSION MOUNTING-L4 (LSJ/2.0P, MANUAL MU3) >

Call	Part #	Group	H	Description	Usage	Year	Qty
1	25829028	04.081		MOUNT, TRANS (WHITE) (Service Lane Part)	A (MU3)	2005 - 2010	01
2	11570514	00.002		BOLT, TRANS MT TRANS SI BRKT (Service Lane Part)		2005 - 2010	03
3	11519208	08.900		BOLT, WASHER,M8X1.25X50, 36 THD,24 OD,10.9,7114M,9MM DOG PT. (TRANS MT BR) (Service Lane Part)		2005 - 2010	04
4	11519207	04.085		BOLT, TRANS RR MT (Service Lane Part)	A	2005 - 2010	01
4	11519207	04.085		BOLT, TRANS RR MT (Service Lane Part)	A	2005 - 2010	01
5	11519348	08.900		BOLT, HFH,M10X1.5X41.35,29 .2 THD,22.3 OD,10.9,GMW3359 (TRANS MT ADAP) (Service Lane Part)		2005 - 2010	03
6	25827450	04.083		ADAPTER, TRANS MT (Service Lane Part)	AP37 (LSJ,MU3)	2005 - 2007	01
7	15926212	04.081		SHIELD, TRANS RR MT HT (Service Lane Part)	A (M86,MU3)	2005 - 2008	01
8	11570514	00.002		BOLT, TRANS RR MT BRKT (Service Lane Part)		2005 - 2010	03
9	20814995	04.081		MOUNT, TRANS RR (WHITE) (Service Lane Part)	AP (MU3)	2005 - 2007	01
10	15816119	04.083		BRACKET, TRANS RR MT (Service Lane Part)	AP (LSJ,MU3)	2005 - 2007	01
11	11589033	04.083		BOLT, TRANS RR MT BRKT (TO CRADLE) (Service Lane Part)	A	2005 - 2010	03
11	11589033	04.083		BOLT, TRANS RR MT BRKT (TO CRADLE) (Service Lane Part)	A	2005 - 2010	03
12	11519898	04.085		BOLT, TRANS FRT MT (THROUGH BOLT) (Service Lane Part)	A	2005 - 2010	01

							y
12	11519898	04.085		BOLT, TRANS FRT MT (THROUGH BOLT) (Service Lane Part)	A	2005 - 2010	01
13	11515781	08.900		BOLT, METRIC HEAVY HEX FLANGE HEAD REDUCED, M12X1.75X60 (TRANS FRT MT BRKT) (Service Lane Part)		2005 - 2010	02
14	20814994	04.081		MOUNT, TRANS FRT (WHITE) (Service Lane Part)	AP (MU3)	2005 - 2007	01
15	15854396	00.029		ADAPTER, ENG MT BRKT (Service Lane Part)	A	2005 - 2010	01
16	11514280	08.900		BOLT, HFH,M12X1.75X65,30 THD,10.9,POR (ENG MT ADAP) (Service Lane Part)		2005 - 2010	02
17	11516330	08.900		BOLT, HFH,M12X1.75X40,33.8 5 THD,26.6 OD,10.9,7114M,MACH, HDR-PT (ENG MT ADAP) (Service Lane Part)		2005 - 2010	01
18	25974058	00.027		MOUNT, ENG (YELLOW) (ACDelco #25974058) (MUST BE USED T/W 15854396 BRACKET) (Service Lane Part)	AP (LSJ,MU3)	2005 - 2007	01
19	03537772	08.900		NUT, M12X1.75,10.6THK,28 O.D.,10,7111M (ENG MT BRKT BR) (8.917) (Service Lane Part)		2005 - 2010	02
20	11570514	00.002		BOLT, ENG MT BRKT (Service Lane Part)		2005 - 2010	03

C - Chevrolet >2007 >A - 1A1 - Cobalt >00 - 4-CYLINDER ENGINE >(1A00-012) 2005-2007 AP CLUTCH (LSJ/2.0P, MU3) >

1A00-012 09/21/2004



Make: Chevrolet

Year: 2007

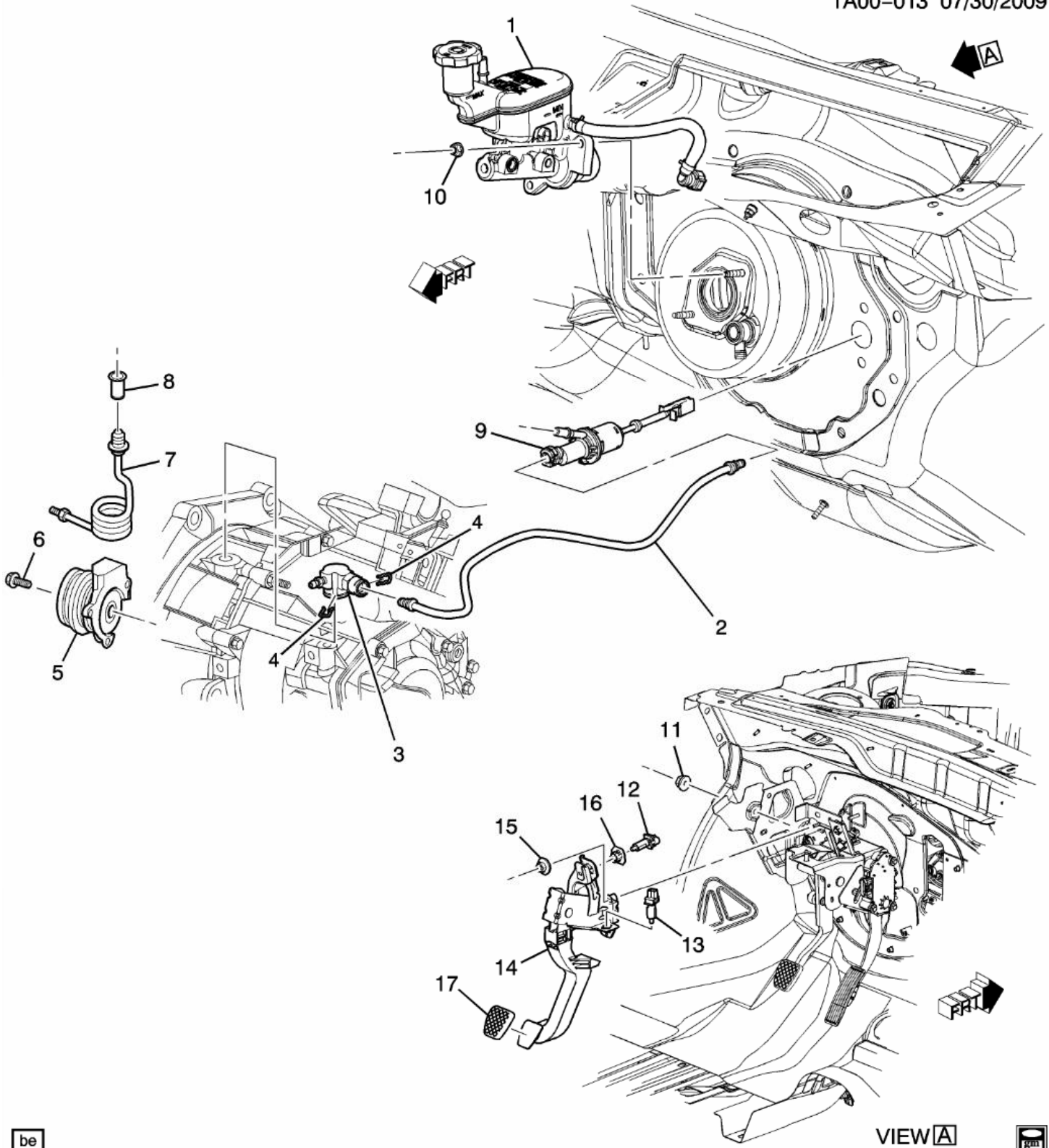
Model: Cobalt

C - Chevrolet >2007 >A - 1A1 - Cobalt >00 - 4-CYLINDER ENGINE >(1A00-012) 2005-2007 AP CLUTCH (LSJ/2.0P, MU3) >

Call	Part #	Group	H	Description	Usage	Year	Qty
1	11561232	04.085		STUD, TRANSAXLE (POSN 1&2) (M10X1.5X20,M12X1.75 X55) (Service Lane Part)	A (MU3)	2006 - 2007	02
2	90351708	00.685		PIN, TRANS LOC (18.5MM OD X12MM LONG) (0.219) (Service Lane Part)	A	2005 - 2007	02
3	11516331	08.900		BOLT, METRIC HVY HFH (M12X1.75X50) (PZOR) (TRANSAXLE) (Service Lane Part)		2005 - 2007	04
4	12584343	00.666		FLYWHEEL, ENG (Service Lane Part)	A (LSJ,MU3)	2005 - 2007	01
5	11570626	00.669		BOLT, FLYWHL (M10X1.25X23.5) (Service Lane Part)	A (LSJ,MU3)	2005 - 2007	08
6	12589049	00.886		PLATE, CLU DRVN (Service Lane Part)	A (LSJ)	2005 - 2007	01
7	12583856	00.859		PLATE, CLU PRESS (W/CVR) (0.862) (Service Lane Part)	A (LSJ)	2005 - 2007	01
8	90470712	00.862		BOLT, CLU PRESS PLT (Service Lane Part)	A (LSJ)	2005 - 2007	06
9	12583857	00.780		CYLINDER, CLU ACTR (INCLS BRG & OIL SEAL) (Service Lane Part)	A (LSJ,MU3)	2005 - 2007	01
10	90541173	00.780		BOLT, CLU ACTR CYL (Service Lane Part)	A (MU3)	2005 - 2007	03
11	12583853	04.085		SPACER, TRANSAXLE (Service Lane Part)	A (MU3)	2005 - 2007	01
12	09126582	00.679		COVER, CLU HSG INSP HOLE (Service Lane Part)	A (MU3)	2005 - 2007	01
13	11085902	00.679		BOLT, CLU HSG INSP CVR (1.240) (Service Lane Part)	A (MU3)	2005 - 2007	02

C - Chevrolet >2007 >A - 1A1 - Cobalt >00 - 4-CYLINDER ENGINE >(1A00-013) 2005-2007 AP CLUTCH PEDAL & CYLINDERS (LSJ/2.0P, MU3) >

1A00-013 07/30/2009



Make: Chevrolet

Year: 2007

Model: Cobalt

C - Chevrolet >2007 >A - 1A1 - Cobalt >00 - 4-CYLINDER ENGINE >(1A00-013) 2005-2007 AP CLUTCH PEDAL & CYLINDERS (LSJ/2.0P, MU3) >

Call	Part #	Group	H	Description	Usage	Year	Qty
1	19209201	04.650		CYLINDER, BRK MAS (SEE GROUP 04.000 "BRAKE MASTER CYLINDER" FOR DETAILED ILLUSTRATED VIEW) (ACDelco #174-1127) (Service Lane Part)	A (MU3,M86)	2005 - 2007	01
2	12591340	00.785		HOSE, CLU ACTR CYL (Service Lane Part)	AP (MU3)	2005 - 2007	01
3	24252286	00.785		ELBOW, CLU ACTR CYL PIPE (INCLS 4) (Service Lane Part)	A (MU3)	2005 - 2007	01
4	88958853	00.785		CLIP, CLU ACTR CYL PIPE (PART OF 3) (LENGTH 17.5MM) (Service Lane Part)	A (MU3)	2005 - 2007	01
5	12583857	00.780		CYLINDER, CLU ACTR (INCLS BRG & OIL SEAL) (Service Lane Part)	A (LSJ,MU3)	2005 - 2007	01
6	90541173	00.780		BOLT, CLU ACTR CYL (Service Lane Part)	A (MU3)	2005 - 2007	03
7	24422067	00.785		PIPE, CLU ACTR CYL (INCLS CAP & SEAL) (Service Lane Part)	A (MU3)	2005 - 2007	01
8	90522038	00.785		RETAINER, CLU ACTR CYL PIPE (Service Lane Part)	A (MU3)	2005 - 2007	01
9	24246918	00.775		CYLINDER, CLU MAS (Service Lane Part)	A (MU3)	2005 - 2007	01
10	11609746	08.917		NUT, HFH,M8X1.25,8.9THK,1 7.6 O.D.,10 STL,GMW3200, PREV TORQUE (BRK M/CYL) (Service Lane Part)		2005 - 2007	02
11	11609746	08.917		NUT, HFH,M8X1.25,8.9THK,1 7.6 O.D.,10 STL,GMW3200, PREV TORQUE (CLU PED PIV) (Service Lane		2005 - 2007	01

							y
12	22734989	04.054		SWITCH, CLU PED POSN (TOP OF TRAVEL) (ACDelco #D2270C) (Service Lane Part)	A (MU3,M86)	2005 - 2007	01
13	15839052	04.054		SWITCH, CLU PED POSN (ACDelco #D2203D) (Service Lane Part)	A (MU3,M86)	2006 - 2007	01
14	15274044	00.830		PEDAL, CLU (W/BRKT) (INCLS 17) (INCL SPRING) (Service Lane Part)	A (MU3,M86)	2006 - 2007	01
15	11609411	08.917		NUT, HEX W/CON WA,M6X1,5.7 THK,16 OD,9,GMW3200 (CLU PED BRKT) (Service Lane Part)		2005 - 2007	02
16	10418917	04.054		RETAINER, CLU PED POSN SW (3.887) (Service Lane Part)	A (MU3,M86)	2005 - 2007	01
17	22697428	04.630		PAD, CLU PED (PART OF 14) (Service Lane Part)	A (MU3,M86)	2005 - 2007	01