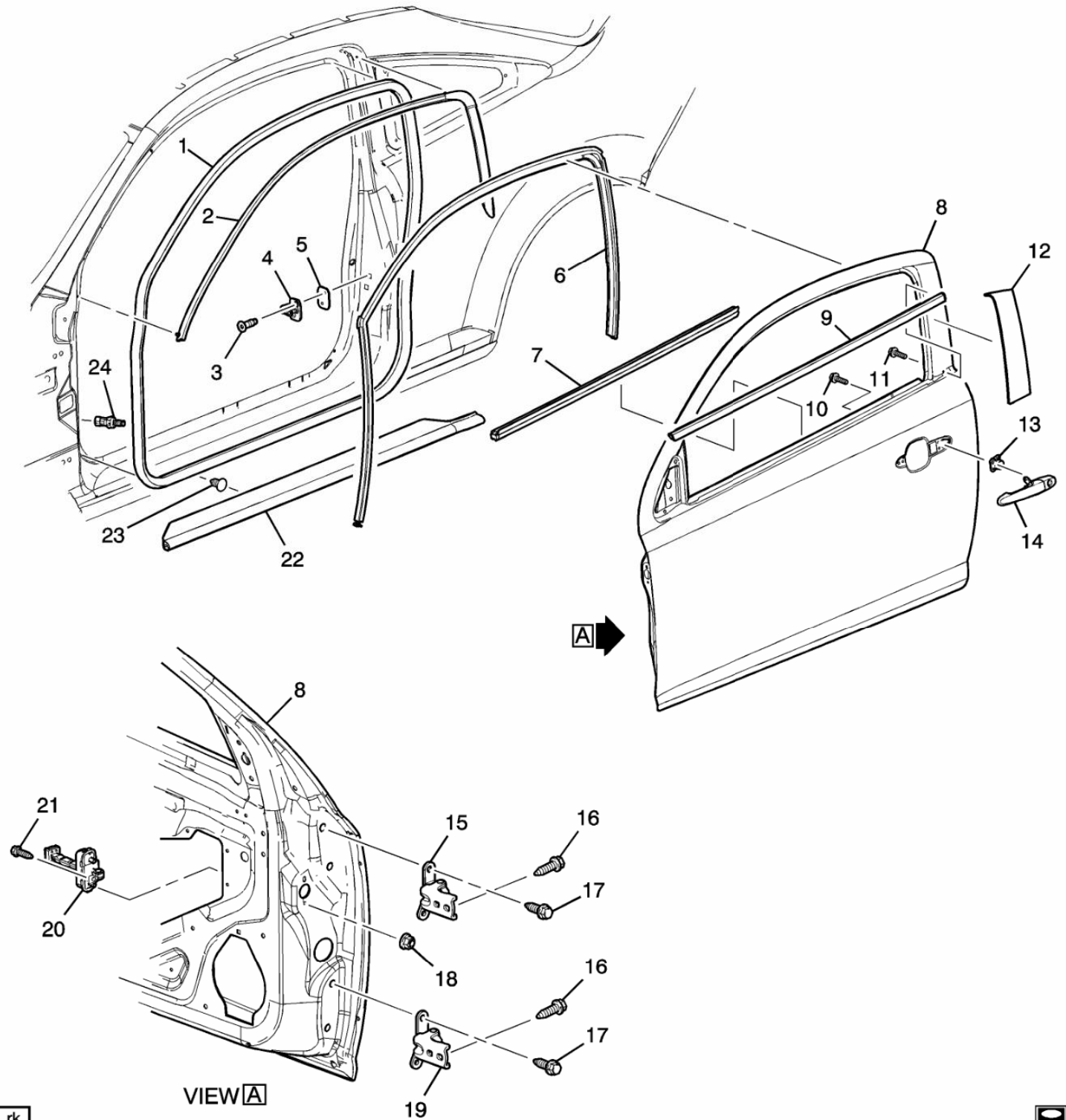


C - Chevrolet >2008 >A - 1A1 - Cobalt >10 - WINDSHIELD-WIPER-MIRRORS-INSTRUMENT PANEL-CONSOLE-DOORS >(1A10-014) 2005-2010 A37 DOOR HARDWARE/FRONT PART 1 >

1A10-014 06/03/2005



rk



Make: Chevrolet

Year: 2008

Model: Cobalt

C - Chevrolet &gt;2008 &gt;A - 1A1 - Cobalt &gt;10 - WINDSHIELD-WIPER-MIRRORS-INSTRUMENT PANEL-CONSOLE-DOORS &gt;(1A10-014) 2005-2010 A37 DOOR HARDWARE/FRONT PART 1 &gt;

| Call | Part #   | Group  | H | Description  | Usage | Year        | Qty |
|------|----------|--------|---|--|-------|-------------|-----|
| 1    | 15824088 | 10.694 |   | WEATHERSTRIP, FRT S/D (Service Lane Part)  | A37   | 2005 - 2010 | 02  |
| 2    | 25819151 | 10.694 | R | WEATHERSTRIP, FRT S/D UPR AUX (Service Lane Part)  | A37   | 2006 - 2010 | 01  |
| 2    | 25819152 | 10.694 | L | WEATHERSTRIP, FRT S/D UPR AUX (Service Lane Part)  | A37   | 2006 - 2010 | 01  |
| 3    | 11518445 | 08.908 |   | SCREW, FLAT-HD HEX ALLEN,CSINK,M8X1.25 X25,18.05 THD,14.7 OD,8.8,GMW3044.<br>(FRT S/D LAT STKR)<br>(Service Lane Part) |       | 2005 - 2010 | 04  |
| 4    | 20801140 | 10.569 |   | STRIKER, FRT S/D LK (INCLS STRIKER & PLATE)  | A     | 2005 - 2010 | 02  |
| 5    | 12451059 | 10.571 |   | SHIM, FRT S/D LK STKR (MAX 3 SHIMS PER DOOR)   | A     | 2005 - 2010 | AR  |
| 6    | 20906468 | 10.701 | L | WEATHERSTRIP, FRT S/D WDO (Service Lane Part)  | A37   | 2005 - 2010 | 01  |
| 6    | 20906469 | 10.701 | R | WEATHERSTRIP, FRT S/D WDO (Service Lane Part)  | A37   | 2005 - 2010 | 01  |
| 7    | 20847948 | 10.710 | R | SEALING STRIP, FRT S/D WDO INR (Service Lane Part)   | A37   | 2005 - 2010 | 01  |
| 7    | 20847949 | 10.710 | L | SEALING STRIP, FRT S/D WDO INR (Service Lane Part)   | A37   | 2005 - 2010 | 01  |
| 8    | 25830151 | 10.351 | L | DOOR, FRT SI (SEE GROUP 12.000 "SHEET METAL/BODY" FOR DETAILED ILLUSTRATED VIEW)                                       | A37   | 2005 - 2010 | 01  |
| 8    | 25830152 | 10.351 | R | DOOR, FRT SI (SEE GROUP 12.000 "SHEET METAL/BODY" FOR DETAILED ILLUSTRATED VIEW)                                       | A37   | 2005 - 2010 | 01  |

|    |          |        |   |  |                 |             |    |
|----|----------|--------|---|--|-----------------|-------------|----|
|    |          |        |   |  |                 |             | y  |
| 9  | 20896220 | 10.710 | R | SEALING STRIP, FRT<br>S/D WDO OTR (Service<br>Lane Part)   | A37             | 2005 - 2010 | 01 |
| 9  | 20896221 | 10.710 | L | SEALING STRIP, FRT<br>S/D WDO OTR (Service<br>Lane Part)   | A37             | 2005 - 2010 | 01 |
| 10 | 10292158 | 08.900 |   | BOLT, M6X1.0X11.8<br>SPEC RECESSED HEX<br>WA, 1039 GM 500-M<br>9.8 STL, GM 7111-M<br>(FRT S/D O/S HDL)<br>(Service Lane Part)  |                 | 2005 - 2010 | 06 |
| 11 | 11519838 | 08.913 |   | SCREW, PAN HD W/FL<br>WA,M4.2X1.41X13,8.15<br>O.D.,ABHL<br>PT,6010M,NO (FRT S/D<br>WDO OTR S/STR)<br>(Service Lane Part)       |                 | 2005 - 2010 | 02 |
| 12 | 20847764 | 10.707 | R | APPLIQUE, FRT S/D<br>WDO FRM RR (BLACK)  | A37             | 2005 - 2010 | 01 |
| 12 | 20847765 | 10.707 | L | APPLIQUE, FRT S/D<br>WDO FRM RR (BLACK)  | A37             | 2005 - 2010 | 01 |
| 13 | 15822396 | 10.550 | L | CYLINDER KIT, FRT<br>S/D LK (UNCODED)<br>(SEE GROUP 10.000<br>"LOCK CYLINDER<br>SET/DOOR" FOR<br>DETAILED<br>ILLUSTRATED VIEW) | A               | 2005 - 2010 | 01 |
| 13 | 25863898 | 10.550 | R | CYLINDER KIT, FRT<br>S/D LK (UNCODED)<br>(SEE GROUP 10.000<br>"LOCK CYLINDER<br>SET/DOOR" FOR<br>DETAILED<br>ILLUSTRATED VIEW) | A               | 2005 - 2010 | 01 |
| 14 | 25869322 | 10.527 | R | HANDLE, FRT S/D O/S<br>(CHROME) (Service<br>Lane Part)   | AL (R13)        | 2008 - 2010 | 01 |
| 14 | 25869324 | 10.527 | L | HANDLE, FRT S/D O/S<br>(CHROME) (Service<br>Lane Part)   | AL (R13)        | 2008 - 2010 | 01 |
| 14 | 25963347 | 10.527 | R | HANDLE, FRT S/D O/S<br>(PAINT TO MATCH)<br>(W/KEY HOLE)<br>(Service Lane Part)   | A (EXC AP3,AU0) | 2008 - 2010 | 01 |

|    |          |        |   |   |             |             |    |
|----|----------|--------|---|---|-------------|-------------|----|
|    |          |        |   |   |             |             | y  |
| 14 | 25963362 | 10.527 | R | HANDLE, FRT S/D O/S<br>(PAINT TO MATCH)<br>(W/O KEY HOLE)<br>(Service Lane Part)  | A (AP3,AU0) | 2008 - 2008 | 01 |
| 14 | 25963384 | 10.527 | L | HANDLE, FRT S/D O/S<br>(PAINT TO MATCH)<br>(Service Lane Part)  | A           | 2008 - 2008 | 01 |
| 15 | 25783763 | 10.450 | L | HINGE, FRT S/D UPR<br>(10.454)  | A           | 2005 - 2010 | 01 |
| 15 | 25783764 | 10.450 | R | HINGE, FRT S/D UPR<br>(10.454)  | A           | 2005 - 2010 | 01 |
| 16 | 11519106 | 08.900 |   | BOLT,<br>CONICAL,M8X1.25X35,<br>23.5 THD,24<br>OD,10.9,7114M,6.0<br>DOG PT,MACH (FRT<br>S/D HGE (BODY SI))<br>(Service Lane Part)     |             | 2005 - 2010 | 08 |
| 17 | 11561763 | 08.900 |   | SCREW, M8X1.25X30,<br>GMW3359 (FRT S/D<br>HGE (DR SI)) (Service<br>Lane Part)   |             | 2005 - 2010 | 08 |
| 18 | 03530297 | 08.917 |   | NUT,<br>HFH,M6X1,5.85THK,14.<br>2 O.D.,10,ZOR (FRT<br>S/D CHK LINK (DR SI))<br>(Service Lane Part)                                    |             | 2005 - 2010 | 04 |
| 19 | 25783763 | 10.454 | R | HINGE, FRT S/D LWR  | A           | 2005 - 2010 | 01 |
| 19 | 25783764 | 10.454 | L | HINGE, FRT S/D LWR  | A           | 2005 - 2010 | 01 |
| 20 | 25845435 | 10.455 |   | LINK, FRT S/D CHK   | A37         | 2005 - 2010 | 02 |
| 21 | 11518095 | 08.900 |   | BOLT,<br>HWH,M8X1.25X20,11.7<br>5 THD,15<br>OD,9.8,7114M,MACH,6<br>175M,MAT-PT (FRT S/D<br>CHK LINK (BODY SI))<br>(Service Lane Part) |             | 2005 - 2010 | 02 |
| 22 | 15210190 | 11.175 | L | PLATE, FRT S/D SILL<br>TR (INCLS 23) (TREAD<br>W/SEALING STRIP)   | A37         | 2005 - 2010 | 01 |
| 22 | 15210191 | 11.175 | R | PLATE, FRT S/D SILL<br>TR (INCLS 23) (TREAD<br>W/SEALING STRIP)   | A37         | 2005 - 2010 | 01 |
| 23 | 20699808 | 14.875 |   | RETAINER, FRT S/D<br>INTLK STKR OTR FIN<br>CVR (PART OF 22)<br>(BLACK) (12.0MM) (X-<br>MAS TREE) (Service                             | A37         | 2005 - 2010 | 08 |

|    |          |        |  |   |   |             |    |
|----|----------|--------|--|---|---|-------------|----|
|    |          |        |  |   |   |             | y  |
| 24 | 22727459 | 11.950 |  | SWITCH, FRT S/D<br>JAMB (ACDelco<br>#D6069A) (Service<br>Lane Part) | A | 2005 - 2010 | 02 |