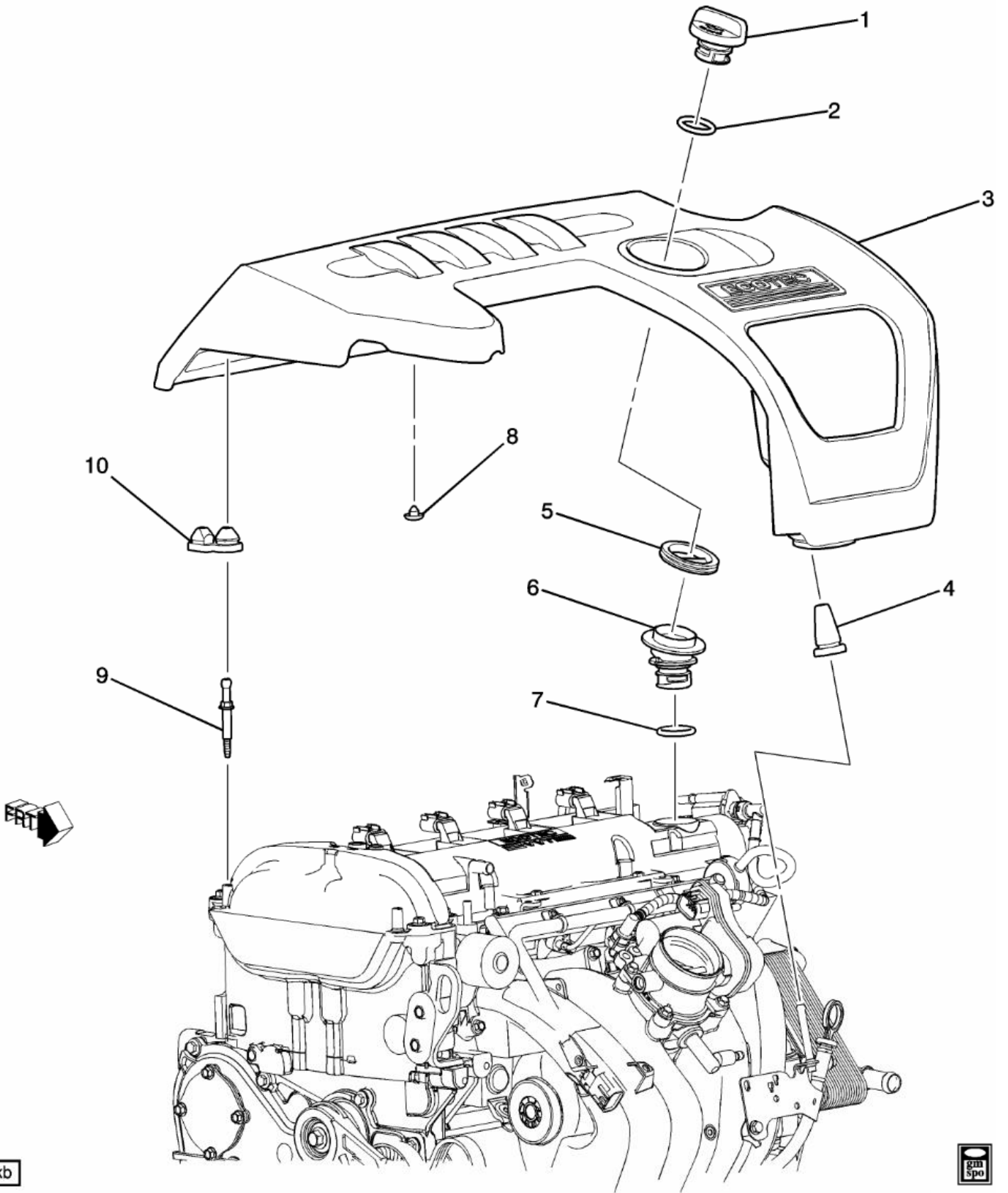


2.2 LAP
Engine Components List
Based off 2010 Cobalt



C - Chevrolet >2010 >A - 1A1 - Cobalt >00 - 4-CYLINDER ENGINE >(1A00-014) 2009-2010 A INTAKE MANIFOLD SHIELD/COVERS (LAP/2.2H) >

1A00-014 03/22/2005



Make: Chevrolet

Year: 2010

Model: Cobalt

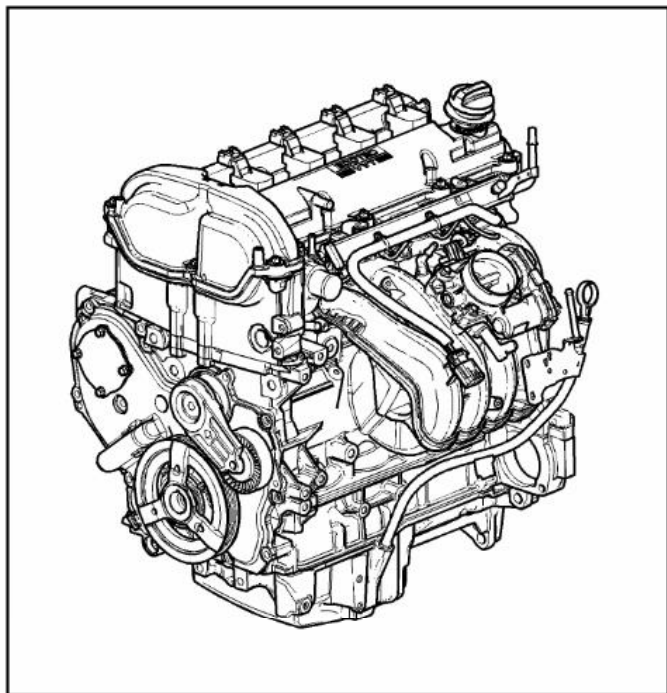
C - Chevrolet >2010 >A - 1A1 - Cobalt >00 - 4-CYLINDER ENGINE >(1A00-014) 2009-2010 A INTAKE MANIFOLD SHIELD/COVERS (LAP/2.2H) >

Call	Part #	Group	H	Description	Usage	Year	Qty
1	12621520	01.758		CAP, OIL FIL (SAE 5W30, NON-VENTED W/SEAL) (INCLS 2) (OIL CAN GRAPHIC & SAE 5W-30 ON CAP) (ACDelco #FC232) (Service Lane Part)	A (LAP)	2009 - 2010	01
2	12593348	01.758		SEAL, OIL FIL CAP (O RING) (PART OF 1) (27.94MM INNER DIAM) (SIZE #320) (ACDelco #12593348) (Service Lane Part)	A	2005 - 2010	01
3	12602517	03.330		COVER, INT MANIF (INCLS 4,5,8,10) (3.265) (Service Lane Part)	A (LAP)	2010 - 2010	01
3	12602517	03.265		COVER, INT MANIF (INCLS 4,5,8,10) (Service Lane Part)	A (LAP)	2010 - 2010	01
4	12600318	03.265		GROMMET, UPR INT MANIF SIGHT SHLD (PART OF 3) (24.5X32X50) (Service Lane Part)	A (LAP)	2009 - 2010	01
5	12600319	03.265		GROMMET, UPR INT MANIF SIGHT SHLD (PART OF 3) (45.9 ID, 60.6 OD, FITS HOLE 50.6) (Service Lane Part)	A (LAP)	2009 - 2010	01
6	12589431	01.745		TUBE, OIL FIL (INCLS 7) (W/O CAP) (Service Lane Part)	A (LAP)	2009 - 2010	01
7	12593348	01.758		SEAL, OIL FIL CAP (O RING) (PART OF 6) (27.94MM INNER DIAM) (SIZE #320) (ACDelco #12593348) (Service Lane Part)	A	2005 - 2010	01
8		NS		INSULATOR, UPR INT MANIF SIGHT SHLD (PART OF 3)		2009 - 2010	

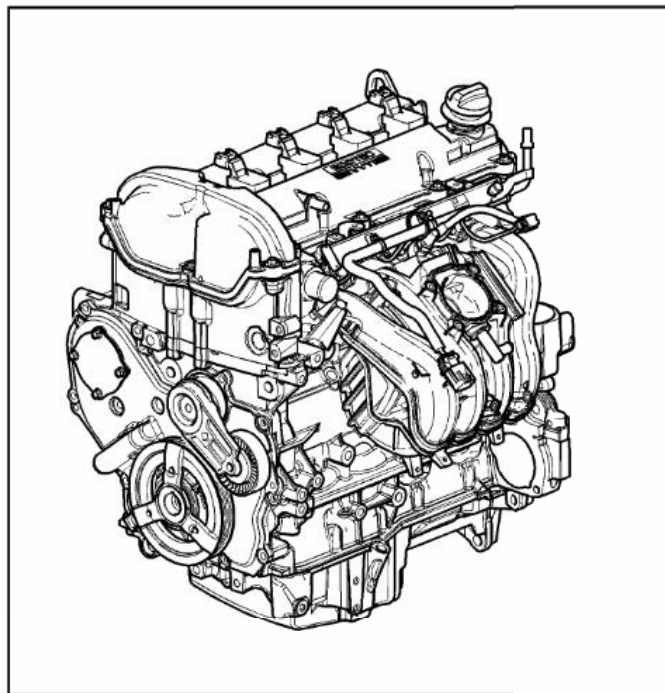
							y
9	11609908	03.275		STUD, UPR INT MANIF SIGHT SHLD (M6X1X50.35) (W/SHLDR) (Service Lane Part)	A (LAP)	2009 - 2010	01
10	12591716	03.265		GROMMET, UPR INT MANIF SIGHT SHLD (PART OF 3) (OFF SET) (Service Lane Part)	A (LAP)	2009 - 2010	01

>

GM00-527 07/23/2007



1



2

Make: Chevrolet

Year: 2010

Model: Cobalt

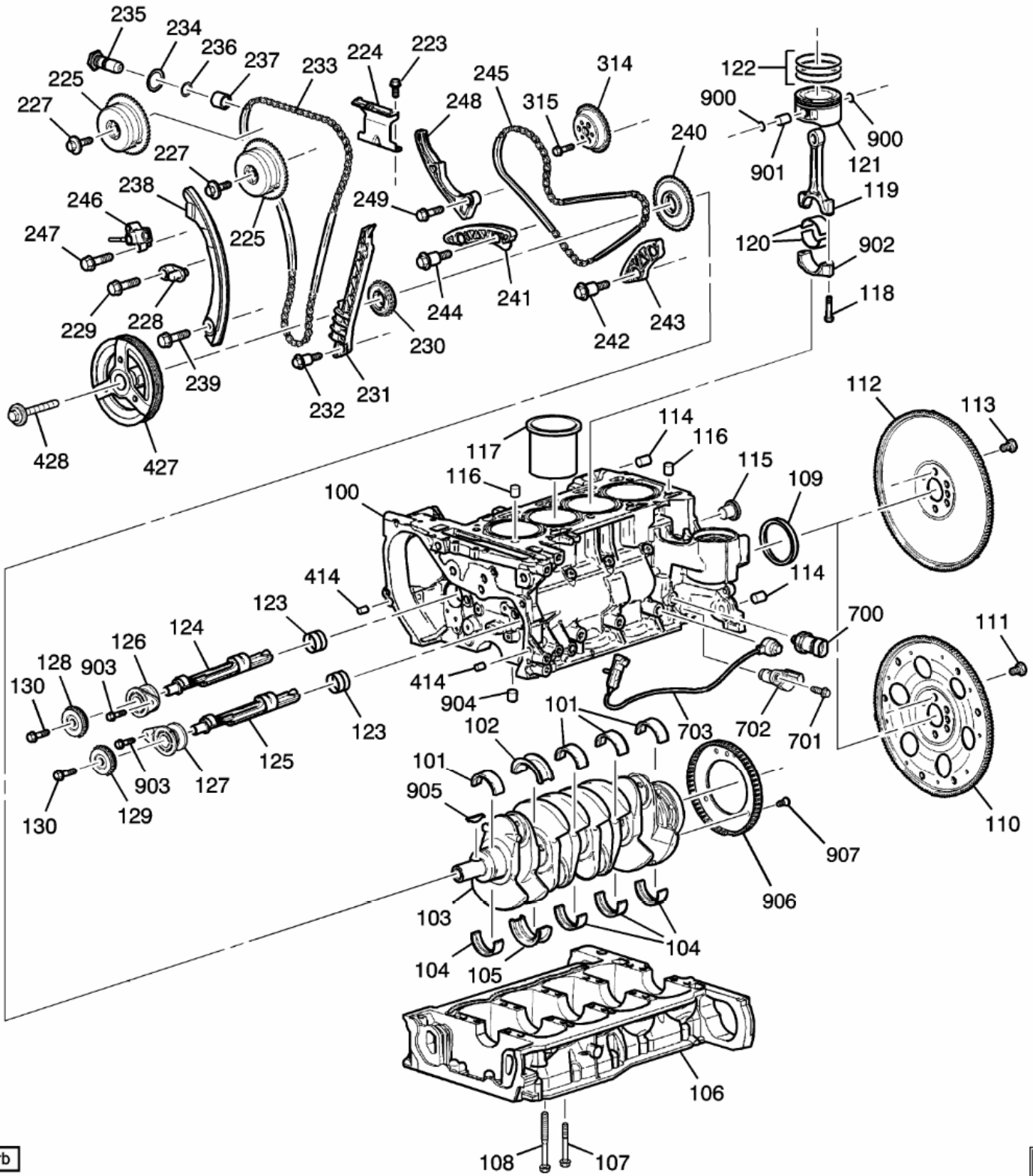
C - Chevrolet >2010 >A - 1A1 - Cobalt >00 - 4-CYLINDER ENGINE >(GM00-527) 2009-2010 A ENGINE ASM & PARTIAL ENGINE (LAP/2.2H)

>

Call	Part #	Group	H	Description	Usage	Year	Qty
1		NS		ENGINE, 2.4 L (146 CID)		2009 - 2010	
2		00.000		ENGINE, GASOLINE (SERVICE NEW)		2006 - 2010	
2		00.000		ENGINE, GASOLINE (SERVICE)		2006 - 2010	
2		00.000		ENGINE, GASOLINE		2006 - 2010	
2	12632855	00.000A		ENGINE, GASOLINE (SERVICE NEW)	A (LAP,NU6)	2010 - 2010	01
2	19208888	00.000A		ENGINE, GASOLINE (SERVICE NEW) (CONTENT BASED ON 2010 HHR W/AUTO TRANS, OTHER LE8/LAP APPS MAY NEED TO SWAP FUEL ASM,INJTRS ETC. SEE INSTR SHEET W/ENG FOR DETAIL)	A (LAP,NT7,NU1)	2009 - 2010	01

C - Chevrolet >2010 >A - 1A1 - Cobalt >00 - 4-CYLINDER ENGINE >(GM00-590) 2009-2010 A ENGINE ASM-2.2L L4 PART 1 CYLINDER BLOCK & INTERNAL PARTS (LAP/2.2H) >

GM00-590 10/21/2008



rb



Make: Chevrolet

Year: 2010

Model: Cobalt

C - Chevrolet >2010 >A - 1A1 - Cobalt >00 - 4-CYLINDER ENGINE >(GM00-590) 2009-2010 A ENGINE ASM-2.2L L4 PART 1 CYLINDER
BLOCK & INTERNAL PARTS (LAP/2.2H) >

Call	Part #	Group	H	Description	Usage	Year	Qty
100		NS		BLOCK, ENG		2009 - 2010	
101	12591092	00.096		BEARING KIT, CR/SHF (INCLS 102,104,105) (FULL SET) (Service Lane Part)	A (LAP) (EXC CV2)	2009 - 2010	01
102		NS		BEARING, CR/SHF THR UPR (PART OF 101)		2009 - 2010	
103	12587041	00.646		CRANKSHAFT, (INCLS 906) (Service Lane Part)	A (LAP)	2009 - 2010	01
104		NS		BEARING, CR/SHF LWR (PART OF 101)		2009 - 2010	
105		NS		BEARING, CR/SHF THR LWR (PART OF 101)		2009 - 2010	
106		NS		CRANKCASE, LWR (CSTG)		2009 - 2010	
107	11588733	08.900		BOLT, HFH,M8X1.25X80.8,21. 6 THD, 18 OD, 8.8 STL, GMW3359 (LWR C/CASE) (Service Lane Part)		2009 - 2010	10
108	11571239	08.900		BOLT, HFH,M10X1.5X146,71 THD,22.75 OD,8.8,GMW3179 A,REDUCED BODY (LWR C/CASE) (Service Lane Part)		2009 - 2010	20
109	12591866	00.137		SEAL, CR/SHF RR OIL (Service Lane Part)	A (LAP)	2009 - 2010	01
110	12647333	00.666		PLATE, A/TRNS FLEX (Service Lane Part)	A (LAP,MN5)	2009 - 2010	01
111	90236536	00.669		BOLT, A/TRNS FLEX PLT (M10X1.25X18) (Service Lane Part)	A (LAP,MN5)	2009 - 2010	06
112	90537283	00.666		FLYWHEEL, ENG (Service Lane Part)	A (LAP,M86)	2009 - 2010	01
113	11570626	00.669		BOLT, FLYWHL (M10X1.25X23.5) (Service Lane Part)	A (LAP,M86)	2009 - 2010	06

							y
114	90351708	00.685		PIN, TRANS LOC (18.5MM OD X12MM LONG) (0.219) (Service Lane Part)	A	2009 - 2010	02
116	90537102	00.293		PIN, CYL HD LOC (Service Lane Part)	A (LAP)	2009 - 2010	02
117	88984129	00.030		SLEEVE, CYL (MCHG) (Service Lane Part)	A (LAP)	2009 - 2010	04
118	90537293	00.623		BOLT, CONN ROD (PART OF 119) (M9X1,53.7) (Service Lane Part)	A (LAP)	2009 - 2010	08
119	12654958	00.603		ROD, CONN (INCLS 118,902) (Service Lane Part)	A (LAP)	2009 - 2010	04
120	12591093	00.616		BEARING KIT, CONN ROD (STANDARD SIZE, FULL SET) (Service Lane Part)	A (LAP) (EXC CV2)	2009 - 2010	01
120	19300927	00.616		BEARING KIT, CONN ROD (STANDARD SIZE, FULL SET) (Service Lane Part)	A (LAP,CV2)	2009 - 2010	01
121	19180242	00.629		PISTON, (W/PIN) (INCLS 900,901) (Service Lane Part)	A (LAP)	2009 - 2010	04
122	19180831	00.643		RING KIT, PSTN (Service Lane Part)	A (LAP)	2009 - 2010	04
123	12581395	00.539		BEARING, BALR SHF RR (Service Lane Part)	A (LAP)	2009 - 2010	02
124		NS	R	SHAFT, BALR (MCHG) (*KIT4)		2009 - 2010	
125		NS	L	SHAFT, BALR (MCHG) (*KIT3)		2009 - 2010	
126		NS	R	BEARING, BAL SHF FRT (*KIT4)		2009 - 2010	
127		NS	L	BEARING, BAL SHF FRT (*KIT3)		2009 - 2010	
128		NS	R	SPROCKET, BAL SHF (*KIT4)		2009 - 2010	
129		NS	L	SPROCKET, BAL SHF (*KIT3)		2009 - 2010	
130	11516328	08.900		BOLT, HFH,M10X1.5X30,22 O.D.,HDR PT,10.9,7114M (BAL SHF SPKT) (*KIT3,KIT4) (Service		2009 - 2010	02

							y
223	11518828	08.900		BOLT, HVY HEX ACORN FLG HD (UPPER CAM CHAIN GUIDE-NOTE:DO NOT REUSE IF REMOVED- MUST BE TORQUED) (Service Lane Part)		2009 - 2010	02
224	12588387	00.724		GUIDE, TMG CHAIN (UPPER FIXED) (Service Lane Part)	A (LAP)	2009 - 2010	01
225	12621505	00.736		ACTUATOR, CM/SHF POSN (EXHAUST AND INTAKE) (Service Lane Part)	A (LAP)	2009 - 2010	02
227	11588844	00.736		BOLT, CM/SHF POSN ACTR (M10X1.5X76, 19 THD) (Service Lane Part)	A (LAP)	2009 - 2010	02
228	12577163	00.748		NOZZLE, TMG CHAIN OIL (LESS SPRING) (Service Lane Part)	A (LAP)	2009 - 2010	01
229	11588714	08.900		BOLT, HFH,M6X1X30,22.7 THD,14.2 OD,8.8,GMW3359, M- PT. (TMG CHAIN OIL NOZ) (Service Lane Part)		2009 - 2010	01
230	24424758	00.728		SPROCKET, CR/SHF (FOR CAMSHAFT DRIVE) (FRT) (Service Lane Part)	A (LAP)	2009 - 2010	01
231	13104978	00.724		GUIDE, TMG CHAIN (W/O BUSHING) (Service Lane Part)	A (LAP)	2009 - 2010	01
232	11588522	08.900		BOLT, HFH W/SHLDR,M6X1X29.5,1 1.8THD,17 O.D.,8.8,6194M (TMG CHAIN GDE) (Service Lane Part)		2009 - 2010	02
233	24461834	00.724		CHAIN, CM/SHF TMG (Service Lane Part)	A (LAP)	2009 - 2010	01
234	89060424	00.724		SEAL, TMG CHAIN TENSER (PART OF 235) (Service Lane Part)	A (LAP)	2009 - 2010	01

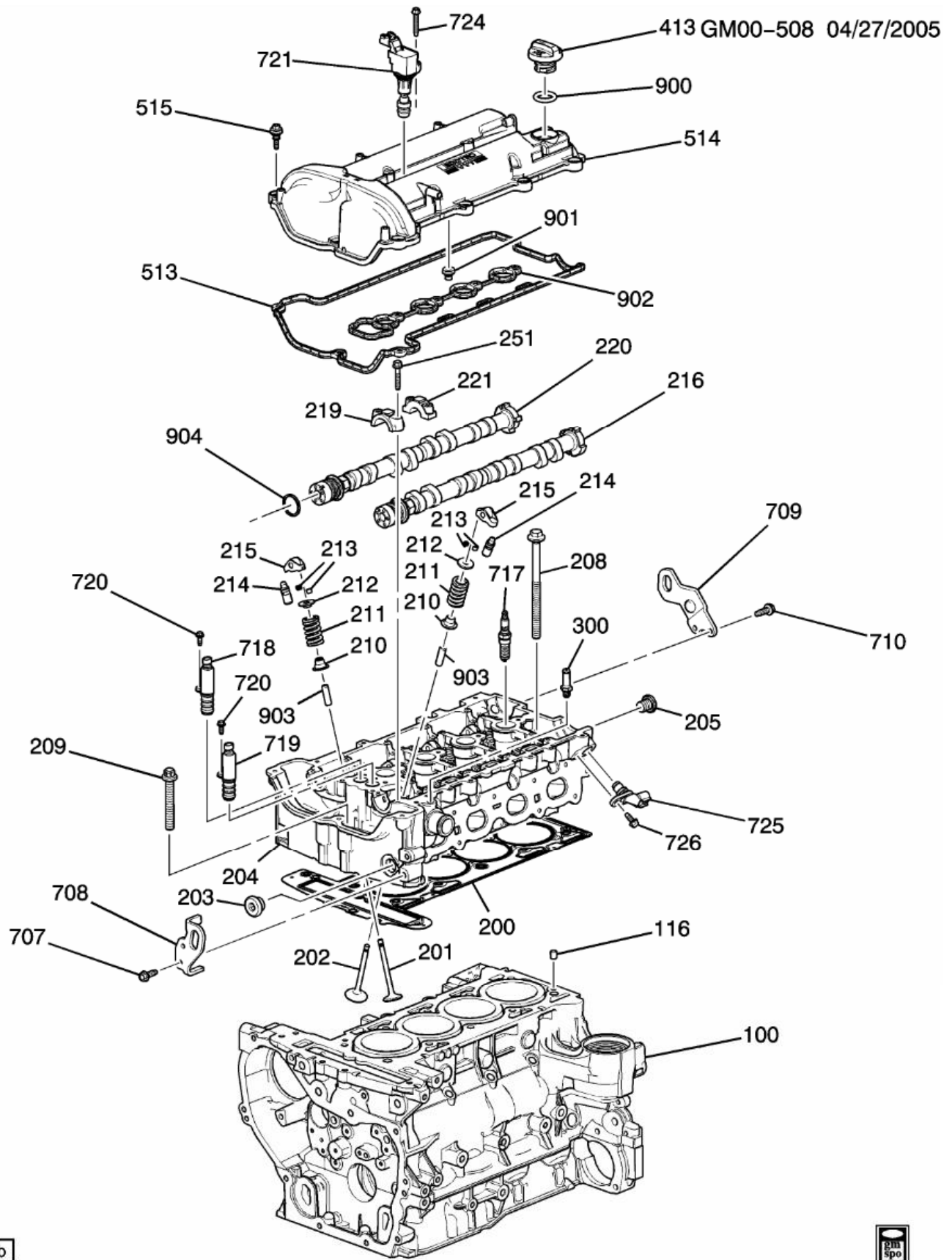
							y
235	12608580	00.724		TENSIONER, TMG CHAIN (INCLS 234,236,237) (ACDelco #12608580) (Service Lane Part)	A (LAP)	2009 - 2010	01
236	89060424	00.724		SEAL, TMG CHAIN TENS (PART OF 235) (Service Lane Part)	A (LAP)	2009 - 2010	01
237		NS		PLUNGER, TENSIONER CM/SHF TMG CHAIN (PART OF 235)		2009 - 2010	
238	24449448	00.724		GUIDE, TMG CHAIN (W/BUSHING) (Service Lane Part)	A (LAP)	2009 - 2010	01
239	11588714	08.900		BOLT, HFH,M6X1X30,22.7 THD,14.2 OD,8.8,GMW3359, M-PT. (TMG CHAIN GDE) (Service Lane Part)		2009 - 2010	01
240	90537301	00.728		SPROCKET, CR/SHF (RR DRIVES BAL SHAFT SPROCKETS & WAT PMP) (Service Lane Part)	A (LAP)	2009 - 2010	01
241	90537336	00.659		GUIDE, BALR CHAIN (UPPER) (Service Lane Part)	A (LAP)	2009 - 2010	01
242	11588522	08.900		BOLT, HFH W/SHLDR,M6X1X29.5,1 1.8THD,17 O.D.,8.8,6194M (BAL CHAIN GDE) (Service Lane Part)		2009 - 2010	02
243	90537369	00.659		GUIDE, BALR CHAIN (LOWER) (Service Lane Part)	A (LAP)	2009 - 2010	01
244	11588522	08.900		BOLT, HFH W/SHLDR,M6X1X29.5,1 1.8THD,17 O.D.,8.8,6194M (BAL CHAIN GDE) (Service Lane Part)		2009 - 2010	02
245	12635427	01.109		CHAIN, W/PMP & BAL SHF (Service Lane Part)	A (LAP)	2009 - 2010	01

							y
246	90537300	01.060		TENSIONER, W/PMP & BAL SHF CHAIN (ACDelco #90537300) (Service Lane Part)	A (LAP)	2009 - 2010	01
247	11588714	08.900		BOLT, HFH,M6X1X30,22.7 THD,14.2 OD,8.8,GMW3359, M- PT. (BAL CHAIN ADJ GDE) (Service Lane Part)		2009 - 2010	02
248	90537299	00.659		GUIDE, BALR CHAIN ADJ (Service Lane Part)	A (LAP)	2009 - 2010	01
249	11588714	08.900		BOLT, HFH,M6X1X30,22.7 THD,14.2 OD,8.8,GMW3359, M- PT. (BAL CHAIN ADJ GDE) (Service Lane Part)		2009 - 2010	01
314	90537298	01.109		SPROCKET, W/PMP (Service Lane Part)	A (LAP)	2009 - 2010	01
315	11518061	08.900		BOLT, HFH, M6X1X13, 10 THD, 14.2 OD, GMW25M (8.8) STL,GMW14C-PT (W/PMP SPKT) (Service Lane Part)		2009 - 2010	03
414	22531637	00.206		PIN, ENG FRT CVR LOC (8MM DIA,12MM LONG) (DOWEL) (0.413) (Service Lane Part)	A (LAP)	2009 - 2010	02
427	90537704	00.659		BALANCER, CR/SHF (5 RIB) (FWD W/EPS) (SLIP FIT BALANCER) (ACDelco #90537704) (Service Lane Part)	A (LAP)	2009 - 2010	01
428	11589123	08.900		BOLT, HFH,W/CON WA,M14X1.5X118, 103 THD, 44 THD, 10.9, 6047M (W/CAPTURED WASHER-ATTACHED) (Service Lane Part)		2009 - 2010	01

							y
700	12635992	01.800		SWITCH, ENG OIL PRESS (USE T/W MATING CONN 12085500 1 WAY FEMALE W/LEADS) (ACDelco #D1849A) (Service Lane Part)	A	2009 - 2010	01
701	11589084	02.383		BOLT, CR/SHF POSN SEN (PART OF 702) (M6X1X20,17.5 THD) (12 OD) (3.682) (Service Lane Part)	A	2009 - 2010	02
702	12577245	02.383		SENSOR, CM/SHF POSN (INCLS 701) (ACDelco #213-1690) (Service Lane Part)	A (LAP)	2009 - 2010	02
703	12621820	02.383		SENSOR, KNOCK (T/W MATING CONN 12116247) (ACDelco #213-4583) (Service Lane Part)	A (LAP)	2010 - 2010	01
900	19300925	00.639		RETAINER, PSTN PIN (PART OF 121) (Service Lane Part)	A (LAP,CV2)	2009 - 2010	01
900	90537376	00.639		RETAINER, PSTN PIN (PART OF 121) (Service Lane Part)	A (LAP) (EXC CV2)	2009 - 2010	08
901		NS		PIN, PSTN (PART OF 121)		2009 - 2010	
902		NS		CAP, CONN ROD (PART OF 119)		2009 - 2010	
903	11518449	08.900		BOLT, HFH,W/ADH,M6X1.0X1 6,13.5THD,14.2 O.D.,8.8,GMW3359 (BAL SHF BRG-> (FOR:CARRIER/FLANGE-TO BLOCK) (Service Lane Part)		2009 - 2010	02
904	90537102	01.428		PIN, LWR C/CASE LOC (LOWER-BEDPLATE TO BLOCK) (0.293) (Service Lane Part)	A (LAP)	2009 - 2010	04
905	24424855	00.729		KEY, CR/SHF SPKT (Service Lane Part)	A (LAP)	2009 - 2010	01
906		NS		RING, CR/SHF POSN SEN RELUCTOR (PART OF 103)		2009 - 2010	

							y
907	55585169	02.383		BOLT, CR/SHF POSN SEN RELUCTOR RING (Service Lane Part)	A (LAP)	2009 - 2010	03
K03	12587216	00.659	L	SHAFT, BAL (INCLS 125,127,129,130) (INCLS SPROCKET) (Service Lane Part)	A (LAP)	2009 - 2010	01
K04	12587215	00.659	R	SHAFT, BAL (INCLS 124,126,128,130) (INCLS SPROCKET) (Service Lane Part)	A (LAP)	2009 - 2010	01

C - Chevrolet >2010 >A - 1A1 - Cobalt >00 - 4-CYLINDER ENGINE >(GM00-508) 2009-2010 A ENGINE ASM-2.2L L4 PART 2 CYLINDER HEAD & RELATED PARTS (LAP/2.2H) >



Make: Chevrolet

Year: 2010

Model: Cobalt

C - Chevrolet >2010 >A - 1A1 - Cobalt >00 - 4-CYLINDER ENGINE >(GM00-508) 2009-2010 A ENGINE ASM-2.2L L4 PART 2 CYLINDER HEAD & RELATED PARTS (LAP/2.2H) >

Call	Part #	Group	H	Description	Usage	Year	Qty
100		NS		BLOCK, ENG		2009 - 2010	
116	90537102	00.293		PIN, CYL HD LOC (Service Lane Part)	A (LAP)	2009 - 2010	02
200	12597769	00.289		GASKET, CYL HD (REPLACE CYL HEAD BOLTS WHEN REPLACING CYL HEAD GASKET) (*KIT1) (ACDelco #12597769) (Service Lane Part)	A (LAP)	2009 - 2010	01
201	12615936	00.297		VALVE, EXH (Service Lane Part)	A (LAP)	2009 - 2010	08
202	12622329	00.296		VALVE, INT (STD) (ALSO SERVICES OPTIONAL P/N 12667225) (Service Lane Part)	A (LAP)	2009 - 2010	08
203	11588880	00.206		PLUG, TMG CHAIN GDE ACC HOLE (Service Lane Part)	A (LAP)	2009 - 2010	01
204	12624549	00.269		HEAD, CYL (SERV PARTIAL) (INCLS 205,219,221,251,300,90 3) (W/SECD AIR INJ)	A (LAP,NU6)	2009 - 2010	01
204	12624550	00.269		HEAD, CYL (SERV PARTIAL) (INCLS 205,219,221,251,300,90 3) (BARE HD W/LV SEATS AND GUIDES) (W/O SECD AIR INJ)	A (LAP,NT7,NU1)	2009 - 2010	01
205	11588547	00.253		PLUG, CYL HD OIL GAL (PART OF 204) (M12X1.75X16.5) (20.5OD) (Service Lane Part)	A (LAP)	2009 - 2010	03
208	90537691	00.293		BOLT, CYL HD (M11X1.5X163) (MUST REPLACE BOLT WHEN REMOVED) (*KIT1) (Service Lane Part)	A (LAP,MN5,M86,NT7 ,NU6)	2009 - 2010	10

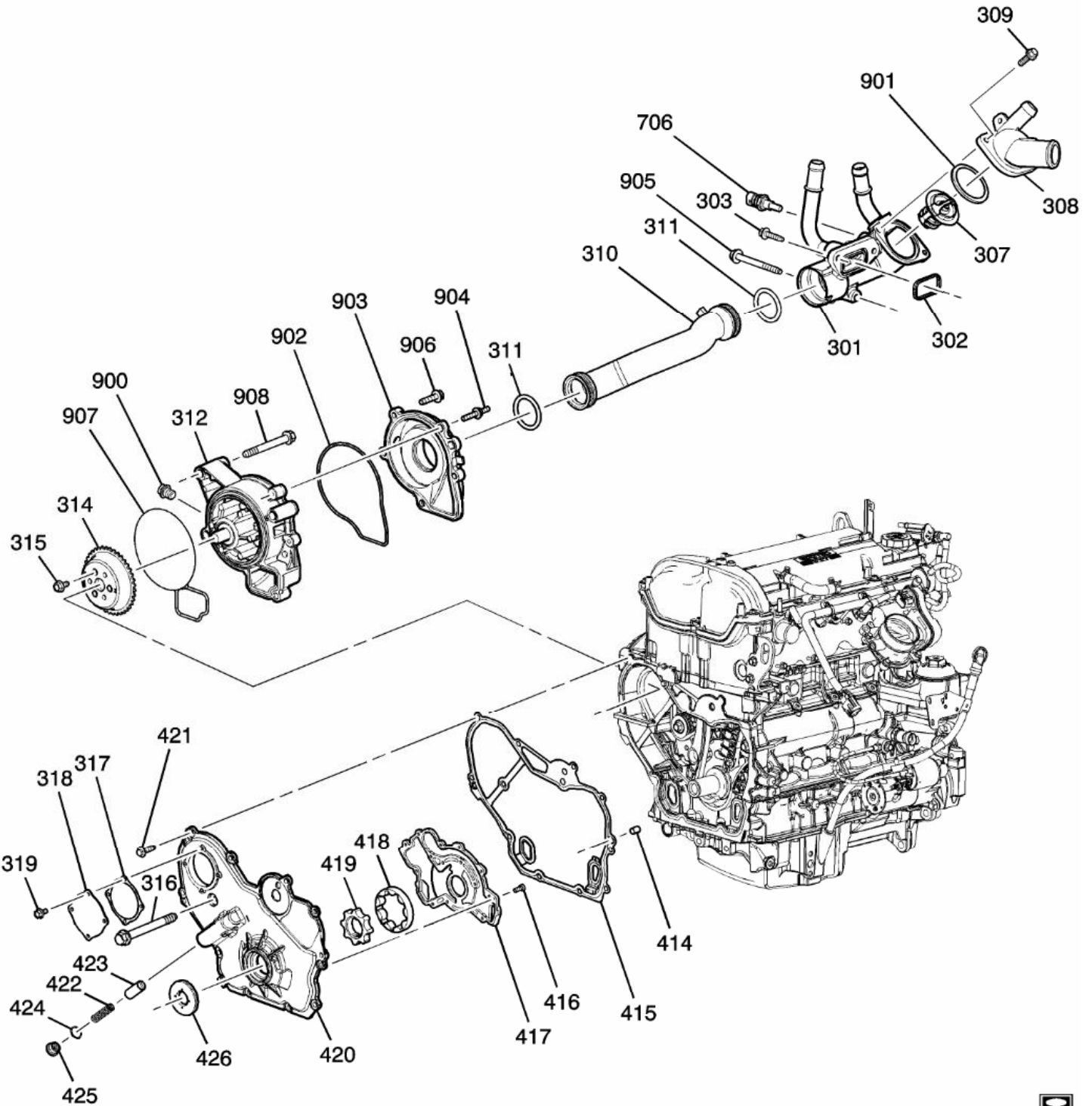
							y
209	24407225	00.293		BOLT, CYL HD (M8X1.25X60) (MUST REPLACE BOLT WHEN REMOVED) (*KIT1) (Service Lane Part)	A (LAP)	2009 - 2010	04
210	90537241	00.308		SEAL, VLV STEM OIL (*KIT1) (Service Lane Part)	A (LAP)	2009 - 2010	16
211	90537032	00.303		SPRING, VLV (Service Lane Part)	A (LAP)	2009 - 2010	16
212	90537243	00.303		RETAINER, VLV SPR (Service Lane Part)	A (LAP)	2009 - 2010	16
213	90354648	00.310		KEY, VLV STEM (Service Lane Part)	A (LAP)	2009 - 2010	32
214	12572638	00.459		ADJUSTER, HYD VLV LASH (ACDelco #HL129) (Service Lane Part)	A (LAP)	2009 - 2010	16
215	12656486	00.333		ARM, VLV RKR (W/O BOLT) (Service Lane Part)	A (LAP)	2009 - 2010	16
216	12621516	00.519		CAMSHAFT, INT (INCLS 904) (Service Lane Part)	A (LAP)	2009 - 2010	01
219		NS		CAP, CM/SHF BRG (PART OF 204)		2009 - 2010	
220	12604896	00.519		CAMSHAFT, EXH (INCLS 904) (Service Lane Part)	A (LAP)	2009 - 2010	01
221		NS		CAP, CM/SHF BRG (PART OF 204)		2009 - 2010	
251	11519970	08.900		BOLT, HFH,M6X1X40,18 THD, 14.2 OD,8.8 STL, GMW3359 (PART OF 204) (Service Lane Part)		2009 - 2010	20
300	12589732	01.097		FITTING, ENG COOL AIR BL HOSE (PART OF 204) (Service Lane Part)	A (LAP)	2009 - 2010	01
413	12621520	01.758		CAP, OIL FIL (SAE 5W30, NON-VENTED W/SEAL) (INCLS 900) (OIL CAN GRAPHIC & SAE 5W-30 ON CAP) (ACDelco #FC232) (Service Lane Part)	A (LAP)	2009 - 2010	01

							y
513	12598014	00.423		GASKET KIT, CM/SHF CVR (INCLS 902) (0.529) (FOR USE ON ALUMINUM CAM COVER) (Service Lane Part)	A (LAP)	2009 - 2010	01
514		00.386		COVER, CM/SHF		2009 - 2010	
515	12587285	00.413		INSULATOR, CM/SHF CVR BOLT (WITH BOLT) (FOR ALUMINUM CAM COVER PERIMETER) (Service Lane Part)	A (LAP,MN5,M86,NT7 ,NU6)	2009 - 2010	11
707	11589311	08.900		BOLT, HFH, M8X1.25X29, 20 THD, 18 OD, 8.8 STL, GMW3359, M-PT (ENG LIFT FRT BRKT) (Service Lane Part)		2009 - 2010	02
708	12617527	00.004		BRACKET, ENG LIFT FRT (Service Lane Part)	A (LAP)	2009 - 2010	01
709	12580019	00.004		BRACKET, ENG LIFT RR (Service Lane Part)	A (LAP)	2009 - 2010	01
710	11570082	08.900		BOLT, HFH,M8X1.25X22,19 THD,18 OD,10.9,GMW3359 (ENG LIFT FRT BRKT) (ACDelco #11570082) (Service Lane Part)		2009 - 2010	02
717	12625058	02.270		SPARK PLUG, (ACDelco #41-103) (IRIDIUM) (DO NOT CHANGE GAP) (Service Lane Part)	A (LAP)	2009 - 2010	04
718	12655421	00.736		VALVE, CM/SHF POSN ACTR EXH SOL (INCLS 720) (Service Lane Part)	A (LAP,MN5,M86,NT7 ,NU6)	2009 - 2010	01
719	12655420	00.736		VALVE, CM/SHF POSN ACTR INT SOL (INCLS 720) (MATING CONN 13587320 2-WAY F W/LEADS) (Service Lane Part)	A	2009 - 2010	01

							y
720	11588712	08.900		BOLT, HFH,M6X1X20,17.5 THD,14.2 O.D.,8.8, GMW3359 (PART OF 718,719) (Service Lane Part)		2009 - 2010	02
721	12638824	02.170		COIL, IGN (INCLS 724) (ACDelco #D522C) (Service Lane Part)	A (LAP)	2009 - 2010	04
724	11589083	02.183		BOLT, IGN COIL (PART OF 721) (M6X48) (Service Lane Part)	A (LAP)	2009 - 2010	01
725	12577245	02.383		SENSOR, CM/SHF POSN (INCLS 726) (ACDelco #213-1690) (Service Lane Part)	A (LAP)	2009 - 2010	02
726	11588712	08.900		BOLT, HFH,M6X1X20,17.5 THD,14.2 O.D.,8.8, GMW3359 (PART OF 725) (Service Lane Part)		2009 - 2010	02
900	12593348	01.758		SEAL, OIL FIL CAP (O RING) (PART OF 413) (27.94MM INNER DIAM) (SIZE #320) (ACDelco #12593348) (Service Lane Part)	A	2009 - 2010	01
901	12587286	00.413		INSULATOR, CM/SHF CVR BOLT (WITHOUT BOLT) (FOR IGNITION COIL) (USED WITH ALUMINUM CAM COVER) (Service Lane Part)	A (LAP)	2009 - 2010	04
902		NS		SEAL, CM/SHF CVR (PART OF 513)		2009 - 2010	
903		NS		GUIDE, VLV (PART OF 204)		2009 - 2010	
904	12574477	00.736		RING, CM/SHF SPKT OIL SEAL (PART OF 216,220) (ACDelco #12574477) (Service Lane Part)	A (LAP)	2009 - 2010	04
K01	12625772	00.289		GASKET KIT, CYL HD (INCLS 200,208,209,210) (Service Lane Part)	A (LAP)	2009 - 2010	01

C - Chevrolet >2010 >A - 1A1 - Cobalt >00 - 4-CYLINDER ENGINE >(GM00-566) 2009-2010 A ENGINE ASM-2.2L L4 PART 3 FRONT COVER & COOLING (LAP/2.2H) >

GM00-566 01/25/2008



rb



Make: Chevrolet

Year: 2010

Model: Cobalt

C - Chevrolet >2010 >A - 1A1 - Cobalt >00 - 4-CYLINDER ENGINE >(GM00-566) 2009-2010 A ENGINE ASM-2.2L L4 PART 3 FRONT COVER & COOLING (LAP/2.2H) >

Call	Part #	Group	H	Description	Usage	Year	Qty
301	12597172	01.251		HOUSING, ENG COOL THERM (Service Lane Part)	A (LAP)	2009 - 2010	01
302	90537471	01.252		SEAL, WAT INL (ROUND WILL CHANGE TO OBLONG SHAPE WHEN ASSEMBLED) (ACDelco #90537471) (Service Lane Part)	A (LAP)	2009 - 2010	01
303	11900244	08.900		BOLT, HFH,M6X1X28,20 THD,14.2 O.D.,8.8,GMW3359 (ENG COOL THERM HSG) (Service Lane Part)		2009 - 2010	02
307	12622410	01.246		THERMOSTAT, ENG COOL (INCLS 901) (ACDelco #131-158) (Service Lane Part)	A (LAP,M86,NU6)	2009 - 2010	01
307	12622410	01.246		THERMOSTAT, ENG COOL (INCLS 901) (ACDelco #131-158) (Service Lane Part)	A (LAP,M86,NT7,NU1)	2009 - 2010	01
307	12622410	01.246		THERMOSTAT, ENG COOL (INCLS 901) (ACDelco #131-158) (Service Lane Part)	A (LAP,MN5,NT7,NU1)	2009 - 2010	01
307	12622410	01.246		THERMOSTAT, ENG COOL (INCLS 901) (ACDelco #131-158) (Service Lane Part)	A (LAP,MN5,NU6)	2009 - 2010	01
308	12607291	01.073		INLET, WAT (W/SURGE PORT) (Service Lane Part)	A (LAP)	2009 - 2010	01
309	11588712	08.900		BOLT, HFH,M6X1X20,17.5 THD,14.2 O.D.,8.8, GMW3359 (ENG COOL THERM HSG) (Service Lane Part)		2009 - 2010	02
310	90537356	01.173		PIPE, RAD OTLT	A (LAP)	2009 - 2010	01

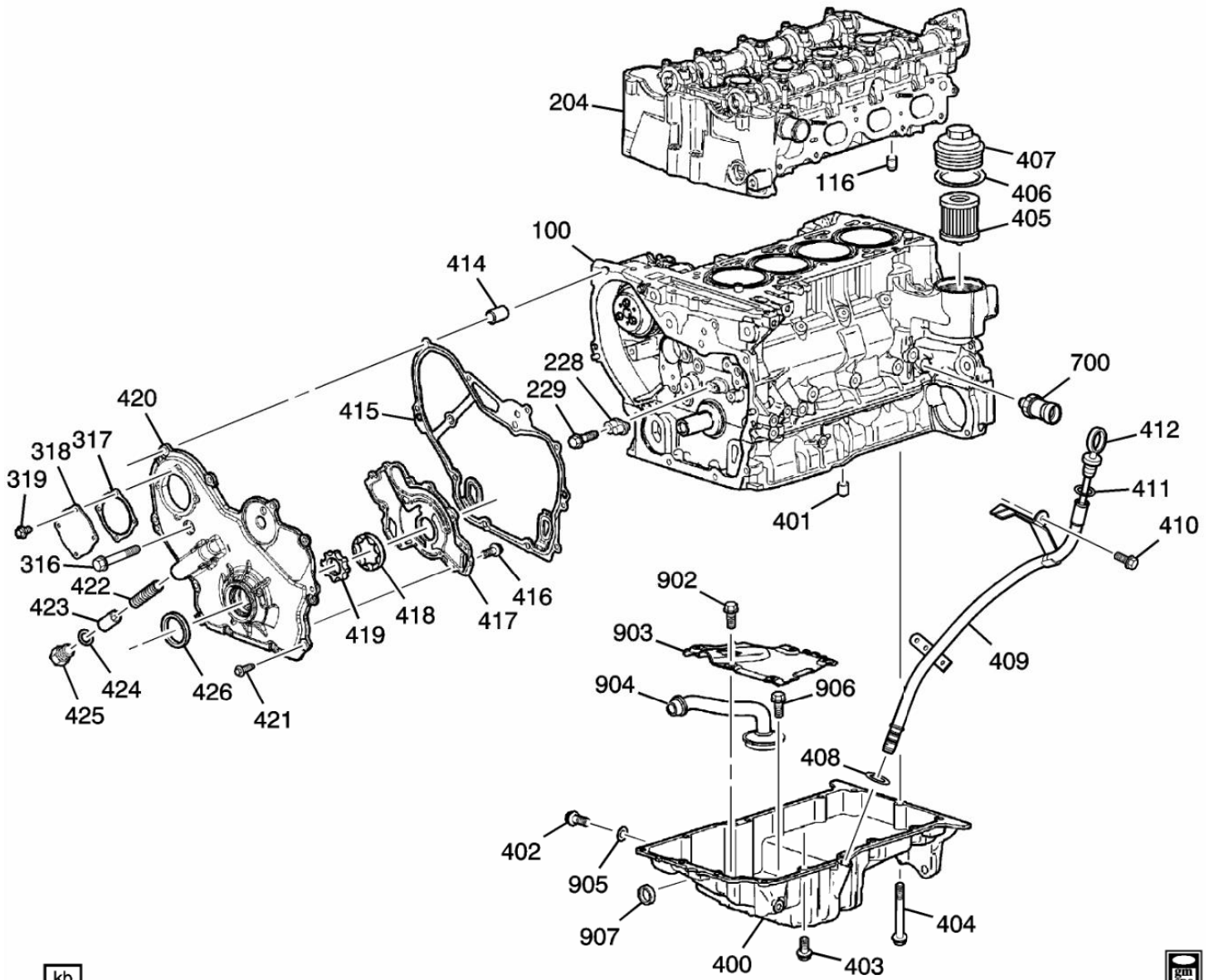
							y
311	90537379	01.173		SEAL, RAD OTLT PIPE (O RING) (Service Lane Part)	A (LAP)	2009 - 2010	02
312		01.069		PUMP KIT, WAT (INCLS 314,315,900,902- 904,906,907)		2009 - 2010	
314	90537298	01.109		SPROCKET, W/PMP (PART OF 312) (Service Lane Part)	A (LAP)	2009 - 2010	01
315	11518061	08.900		BOLT, HFH, M6X1X13, 10 THD, 14.2 OD, GMW25M (8.8) STL,GMW14C-PT (PART OF 312) (Service Lane Part)		2009 - 2010	03
316	11588735	08.900		BOLT, HFH,M8X1.25X100,22 THD,18 OD,8.8 STL,GMW3359,M-PT (W/PMP) (Service Lane Part)		2009 - 2010	02
317	90537915	01.079		GASKET, W/PMP CVR (PART OF 420) (1.123) (Service Lane Part)	A (LAP)	2009 - 2010	01
318	90537266	01.073		COVER, W/PMP (PART OF 420) (Service Lane Part)	A (LAP)	2009 - 2010	01
319	11518061	08.900		BOLT, HFH, M6X1X13, 10 THD, 14.2 OD, GMW25M (8.8) STL,GMW14C-PT (PART OF 420) (Service Lane Part)		2009 - 2010	04
414	22531637	00.206		PIN, ENG FRT CVR LOC (8MM DIA,12MM LONG) (DOWEL) (0.413) (Service Lane Part)	A (LAP)	2009 - 2010	02
415	24435052	00.207		GASKET, ENG FRT CVR (ACDelco #24435052) (Service Lane Part)	A (LAP)	2009 - 2010	01
416		NS		BOLT, O/PMP CVR (PART OF 420)		2009 - 2010	
417		NS		COVER, O/PMP (PART OF 420)		2009 - 2010	
418		NS		GEAR, O/PMP DRVN		2009 - 2010	

							y
419		NS		GEAR, O/PMP (PART OF 420)		2009 - 2010	
420	12637040	00.206		COVER, ENG FRT (W/OIL PMP) (INCLS 317-319,416-419,422-426) (Service Lane Part)	A (LAP)	2009 - 2010	01
421	11589236	08.900		BOLT, HFH, M8X1.25X30.7, 20.7 THD, 17 OD, 8.8 STL, GMW3359 (ENG FRT CVR) (Service Lane Part)		2009 - 2010	10
422		NS		SPRING, OIL PRESS RLF VLV (PART OF 420)		2009 - 2010	
423		NS		VALVE, OIL PRESS RLF (PART OF 420)		2009 - 2010	
424	11093042	01.609		SEAL, OIL PRESS RLF VLV SPR SEAT (O RING) (PART OF 420) (1.655) (Service Lane Part)	A (LAP)	2009 - 2010	01
425		NS		SEAT, OIL PRESS RLF VLV SPR (PART OF 420)		2009 - 2010	
426	12584041	00.213		SEAL, CR/SHF FRT OIL (PART OF 420) (ACDelco #296-16) (Service Lane Part)	A (LAP)	2009 - 2010	01
706	12608814	03.682		SENSOR, ENG COOL TEMP (MATING CONN W/LEADS USE 88987993) (1.150) (ACDelco #213-4333) (Service Lane Part)	A (LAP)	2009 - 2010	01
706	12608814	01.150		SENSOR, ENG COOL TEMP (MATING CONN W/LEADS USE 88987993) (ACDelco #213-4333) (Service Lane Part)	A (LAP)	2009 - 2010	01
901	03522676	01.252		SEAL, ENG COOL THERM (O RING) (PART OF 307) (SQUARE CUT) (ACDelco #3522676) (Service Lane Part)	A (LAP)	2009 - 2010	01

							y
902	24446365	01.123		SEAL, W/PMP CVR (O RING) (PART OF 312) (Service Lane Part)	A (LAP)	2009 - 2010	01
903		NS		COVER, W/PMP (PART OF 312)		2009 - 2010	
904	11609473	08.981		STUD, HFH,6X1X25,6X1X16,1 4.2 OD,47.6 TL,9.8,6280M,HDR-PTS (PART OF 312) (Service Lane Part)		2009 - 2010	01
905	11588719	08.900		BOLT, HFH,M6X1X60,18MM THD,14.2 O.D.,8.8,3359GMW (ENG COOL THERM HSG) (Service Lane Part)		2009 - 2010	01
906	11516424	08.900		BOLT, HFH,M6X1X25,14.2 O.D.,HDR PT,9.8,ZE (PART OF 312) (Service Lane Part)		2009 - 2010	04
907	24439799	01.079		GASKET, W/PMP (PART OF 312) (ACDelco #251-2053) (Service Lane Part)	A (LAP)	2009 - 2010	01
908	11900262	08.900		BOLT, HFH,M8X1.25X69.15,19 THD,18 OD, 8.8 STL, GMW3359,REDUCED BODY (W/PMP) (Service Lane Part)		2009 - 2010	02

C - Chevrolet >2010 >A - 1A1 - Cobalt >00 - 4-CYLINDER ENGINE >(GM00-542) 2009-2010 A ENGINE ASM-2.2L L4 PART 4 OIL PUMP,PAN & RELATED PARTS (LAP/2.2H) >

GM00-542 05/31/2006



kb



Make: Chevrolet

Year: 2010

Model: Cobalt

C - Chevrolet >2010 >A - 1A1 - Cobalt >00 - 4-CYLINDER ENGINE >(GM00-542) 2009-2010 A ENGINE ASM-2.2L L4 PART 4 OIL PUMP,PAN & RELATED PARTS (LAP/2.2H) >

Call	Part #	Group	H	Description	Usage	Year	Qty
100		NS		BLOCK, ENG (SERVICED BY GOODWRENCH ENGINE)		2009 - 2010	
116		NS		RESTRICTOR, ENG BLK OIL GAL (PART OF 204)		2009 - 2010	
204	12624549	00.269		HEAD, CYL (SERV PARTIAL) (INCLS 116) (SEE GROUP 00.000 "CYLINDER HEAD AND RELATED PARTS" FOR DETAILED ILLUSTRATED VIEW) (W/SECD AIR INJ)	A (LAP,NU6)	2009 - 2010	01
204	12624550	00.269		HEAD, CYL (SERV PARTIAL) (INCLS 116) (SEE GROUP 00.000 "CYLINDER HEAD AND RELATED PARTS" FOR DETAILED ILLUSTRATED VIEW) (BARE HD W/VLV SEATS AND GUIDES) (W/O SECD AIR INJ)	A (LAP,NT7,NU1)	2009 - 2010	01
228	12577163	00.748		NOZZLE, TMG CHAIN OIL (LESS SPRING) (Service Lane Part)	A (LAP)	2009 - 2010	01
229	11588714	08.900		BOLT, HFH,M6X1X30,22.7 THD,14.2 OD,8.8,GMW3359, M- PT. (BAL CHAIN ADJ GDE) (Service Lane Part)		2009 - 2010	01
316	11589253	08.900		BOLT, M8X1.25X105, GM500M 9.8 STEEL, PHOSP ZINC ORG (W/PMP) (Service Lane Part)		2009 - 2010	02
317	90537915	01.079		GASKET, W/PMP CVR (PART OF 420) (1.123) (Service Lane Part)	A (LAP)	2009 - 2010	01

							y
318	90537266	01.073		COVER, W/PMP (PART OF 420) (Service Lane Part)	A (LAP)	2009 - 2010	01
319	11518061	08.900		BOLT, HFH, M6X1X13, 10 THD, 14.2 OD, GMW25M (8.8) STL,GMW14C-PT (PART OF 420) (Service Lane Part)		2009 - 2010	04
400	12601240	01.426		PAN, OIL (INCLS 402,902-907) (NO GASKET SERVICED, USE RTV SEALANT 12378521) (Service Lane Part)	A (LAP)	2009 - 2010	01
401	22531637	01.428		PIN, OIL PAN LOC (8MM DIA,12MM LONG) (DOWEL) (0.413) (Service Lane Part)	A (LAP)	2009 - 2010	02
402	11562588	01.453		PLUG, OIL PAN DRN (INCLS 905) (PART OF 400) (M12X1.75X25) (W/SEAL) (EXC MAGNET) (Service Lane Part)	A (LAP)	2009 - 2010	01
403	11570082	08.900		BOLT, HFH,M8X1.25X22,19 THD,18 OD,10.9,GMW3359 (OIL PAN) (ACDelco #11570082) (Service Lane Part)		2009 - 2010	14
404	11589253	08.900		BOLT, M8X1.25X105, GM500M 9.8 STEEL, PHOSP ZINC ORG (OIL PAN) (Service Lane Part)		2009 - 2010	01
405	12605566	01.836		FILTER, OIL (FILTER ONLY) (PART OF 407) (ACDelco #PF457G) (Service Lane Part)	A (LAP)	2009 - 2010	01
406	12580255	01.844		SEAL, OIL FLTR CAP (O RING) (PART OF 407) (ACDelco #12580255) (Service Lane Part)	A (LAP)	2009 - 2010	01

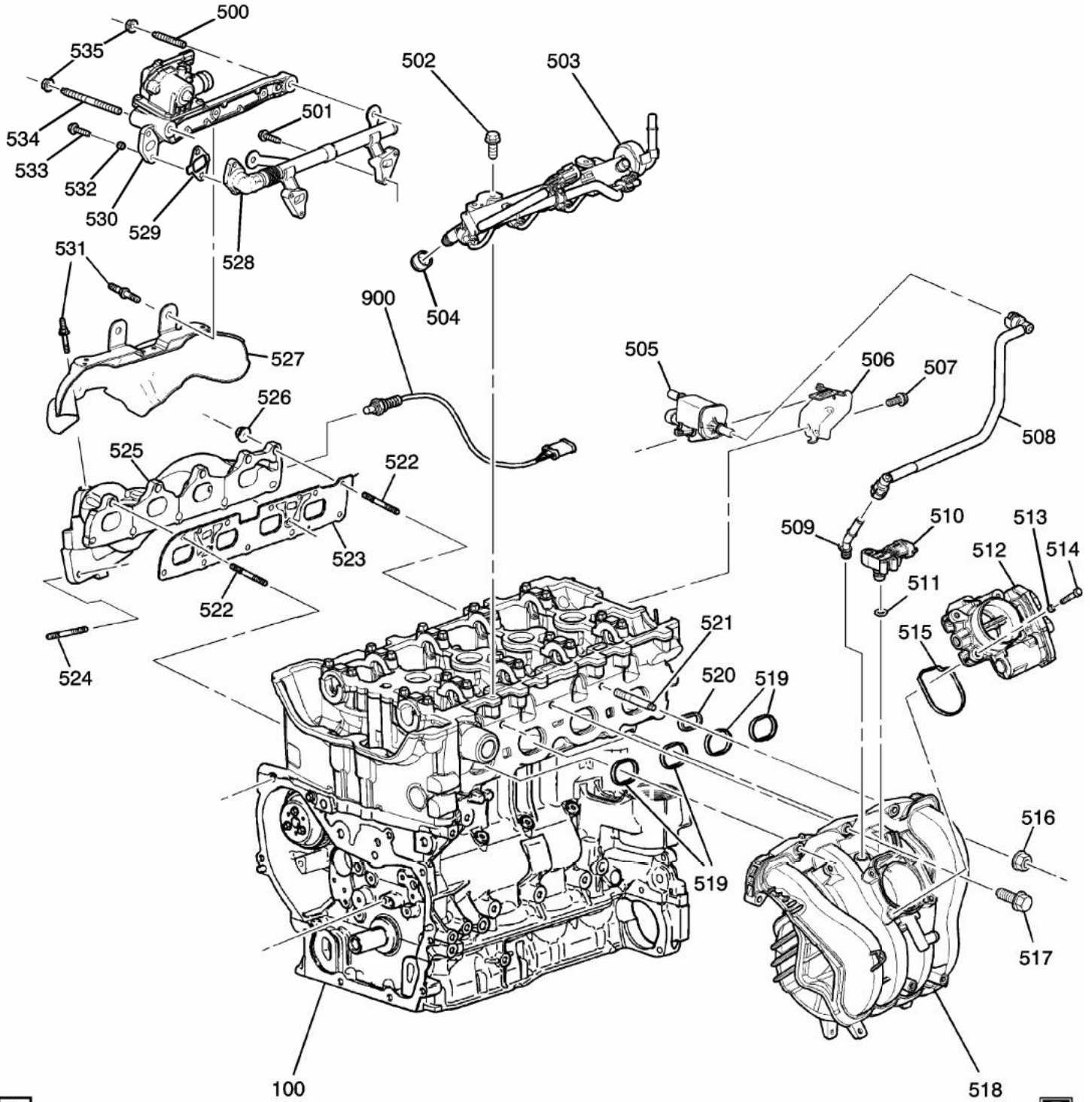
							y
407	12605565	01.836		FILTER, OIL (INCLS 405,406) (FILTER,CAP AND CAP O-RING) (ACDelco #PF458G) (Service Lane Part)	A (LAP)	2009 - 2010	01
408	12607449	01.516		SEAL, OIL LVL IND TUBE (O RING) (PART OF 409) (*KIT1) (Service Lane Part)	A (LAP)	2009 - 2010	02
409	12625480	01.516		TUBE, OIL LVL IND (INCLS 408) (W/O BALL STUD) (*KIT1) (Service Lane Part)	A (LAP)	2010 - 2010	01
410	11516421	08.900		BOLT, HFH,M6X1X10,14.2 O.D.,9.8,7114M (OIL LVL IND TUBE) (Service Lane Part)		2009 - 2010	01
411	24504031	01.516		SEAL, OIL LVL IND (O RING) (PART OF 412) (RED) (6.07 ID; 1.78 DIA) (*KIT1) (Service Lane Part)	A (LAP)	2009 - 2010	01
412	12657799	01.516		INDICATOR, OIL LVL (INCLS 411) (W/O TUBE ASM) (*KIT1) (Service Lane Part)	A (LAP)	2009 - 2010	01
414	22531637	00.206		PIN, ENG FRT CVR LOC (8MM DIA,12MM LONG) (DOWEL) (0.413) (Service Lane Part)	A (LAP)	2009 - 2010	02
415	24435052	00.207		GASKET, ENG FRT CVR (ACDelco #24435052) (Service Lane Part)	A (LAP)	2009 - 2010	01
416		NS		BOLT, O/PMP FRT CVR (PART OF 420)		2009 - 2010	
417		NS		HOUSING, O/PMP INTER (PART OF 420)		2009 - 2010	
418		NS		GEAR, O/PMP (PART OF 420)		2009 - 2010	
419		NS		GEAR, O/PMP DRVN (PART OF 420)		2009 - 2010	
420	12637040	00.206		COVER, ENG FRT (W/OIL PMP) (INCLS 317-319,416-419,422-426) (Service Lane	A (LAP)	2009 - 2010	01

							y
421	11589236	08.900		BOLT, HFH, M8X1.25X30.7, 20.7 THD, 17 OD, 8.8 STL, GMW3359 (ENG FRT CVR) (Service Lane Part)		2009 - 2010	10
422		NS		SPRING, OIL PRESS RLF VLV (PART OF 420)		2009 - 2010	
423		NS		VALVE, OIL PRESS RLF (PART OF 420)		2009 - 2010	
424	11093042	01.609		SEAL, OIL PRESS RLF VLV SPR SEAT (O RING) (PART OF 420) (1.655) (Service Lane Part)	A (LAP)	2009 - 2010	01
425		NS		SEAT, OIL PRESS RLF VLV SPR (PART OF 420)		2009 - 2010	
426	12584041	00.213		SEAL, CR/SHF FRT OIL (PART OF 420) (ACDelco #296-16) (Service Lane Part)	A (LAP)	2009 - 2010	01
700	12635992	01.800		SWITCH, ENG OIL PRESS (USE T/W MATING CONN 12085500 1 WAY FEMALE W/LEADS) (ACDelco #D1849A) (Service Lane Part)	A	2009 - 2010	01
902	11519133	08.900		BOLT, SELF TAP,M6X1X20,13.2 O.D. (PART OF 400) (Service Lane Part)		2009 - 2010	05
903	12578196	01.430		BAFFLE, OIL PAN (PART OF 400) (Service Lane Part)	A (LAP)	2009 - 2010	01
904		NS		PIPE, O/PMP SUC (PART OF 400)		2009 - 2010	
905	12616850	01.456		SEAL, OIL PAN DRN PLUG (O RING) (PART OF 400,402) (DIA 19.39) (Service Lane Part)	A (LAP)	2009 - 2010	01
906		NS		BOLT, O/PMP SUC PIPE (PART OF 400)		2009 - 2010	
907		NS		PLUG, OIL PAN HOLE (PART OF 400)		2009 - 2010	

K01		01.516		INDICATOR, OIL LVL (W/IND TUBE) (INCLS 408,409,411,412)		2009 - 2010	y
-----	--	--------	--	---	--	-------------	---

C - Chevrolet >2010 >A - 1A1 - Cobalt >00 - 4-CYLINDER ENGINE >(GM00-437) 2009-2010 A ENGINE ASM-2.2L L4 PART 5 MANIFOLDS & FUEL RELATED PARTS (LAP/2.2H) >

GM00-437 03/13/2008



Make: Chevrolet

Year: 2010

Model: Cobalt

C - Chevrolet >2010 >A - 1A1 - Cobalt >00 - 4-CYLINDER ENGINE >(GM00-437) 2009-2010 A ENGINE ASM-2.2L L4 PART 5 MANIFOLDS & FUEL RELATED PARTS (LAP/2.2H) >

Call	Part #	Group	H	Description	Usage	Year	Qty
100		NS		BLOCK, ENG		2009 - 2010	
500	11519235	08.981		STUD, STRAIGHT,M8X1.25X20, M8X1.25X36.25,63 TL, 10.9,7114M,SIDE B:HEX P (SECD AIR INJN CHK VLV BRKT) (Service Lane Part)		2009 - 2010	01
501	11588714	08.900		BOLT, HFH,M6X1X30,22.7 THD, 14.2 OD,8.8,GMW3359, M-PT. (PART OF 528) (Service Lane Part)		2009 - 2010	04
502	11562426	08.900		BOLT, HFH,M6X1X25,18 THD, 14.2 OD, 10.9 STL GMW3359 (F/INJN FUEL RL) (Service Lane Part)		2009 - 2010	02
503		NS		INJECTOR, M/PORT FUEL (W/FUEL RL) (SEE GROUP 03.000 "FUEL INJECTOR RAIL" FOR DETAILED ILLUSTRATED VIEW)		2009 - 2010	
504	12571864	03.304		INSULATOR, F/INJR (INCLS SEAL) (Service Lane Part)	A (LAP)	2009 - 2010	04
505	12597567	03.130		VALVE, EVAP EMIS CNSTR PURGE SOL (VALVE ONLY) (USE T/W 12579283 BRKT) (ACDelco #214-1680) (Service Lane Part)	A (LAP,M86,MN5,NU6)	2010 - 2010	01
505	12597567	03.130		VALVE, EVAP EMIS CNSTR PURGE SOL (VALVE ONLY) (USE T/W 12579283 BRKT) (ACDelco #214-1680) (Service Lane Part)	A (LAP,M86,MN5,NT7,NU1)	2010 - 2010	01

							y
506	12579283	03.130		BRACKET, EVAP EMIS CNSTR PURGE SOL VLV (USE T/W 12597567 VALVE) (ACDelco #12579283) (Service Lane Part)	A (LAP,NT7,NU1,NU6 ,M86)	2009 - 2010	01
507	11588723	08.900		BOLT, HFH, M8X1.25X25, 18 THD, 18 OD, 8.8 STL, GMW3359, M-PT (EVAP EMIS CNSTE PURGE SOL VLV) (Service Lane Part)		2009 - 2010	01
508	12586630	03.145		TUBE, EVAP EMIS CNSTR PURGE (Service Lane Part)	A (LAP,NT7,NU1,NU6 ,M86,MN5)	2009 - 2010	01
509		NS		CONNECTOR, EVAP EMIS CNSTR PURGE PIPE (PART OF 518)		2009 - 2010	
510	55573248	03.682		SENSOR, MAP (INCLS 511) (MATES W/CONN 13585850 W/LEADS) (ACDelco #213-4681) (Service Lane Part)	A (LAP)	2009 - 2010	01
511		NS		SEAL, MAP SEN (PART OF 510)		2009 - 2010	
512	12633774	03.335		BODY, THROT (W/THROT ACTR) (INCLS 513,514) (ACDelco #217-3351) (Service Lane Part)	A (LAP)	2009 - 2010	01
513	11518792	03.336		RETAINER, THROT BODY BOLT (PART OF 512) (FOR M6 BOLT,LENGTH 7MM,WALL THICKNESS 0.60,THERMOPLASTIC) (1.428) (Service Lane Part)	A (LAP)	2009 - 2010	04
514	11562426	08.900		BOLT, HFH,M6X1X25,18 THD,14.2 OD, 10.9 STL GMW3359 (PART OF 512) (Service Lane Part)		2009 - 2010	04
515	12580395	03.336		SEAL, THROT BODY (ACDelco #12580395)	A (LAP)	2009 - 2010	01

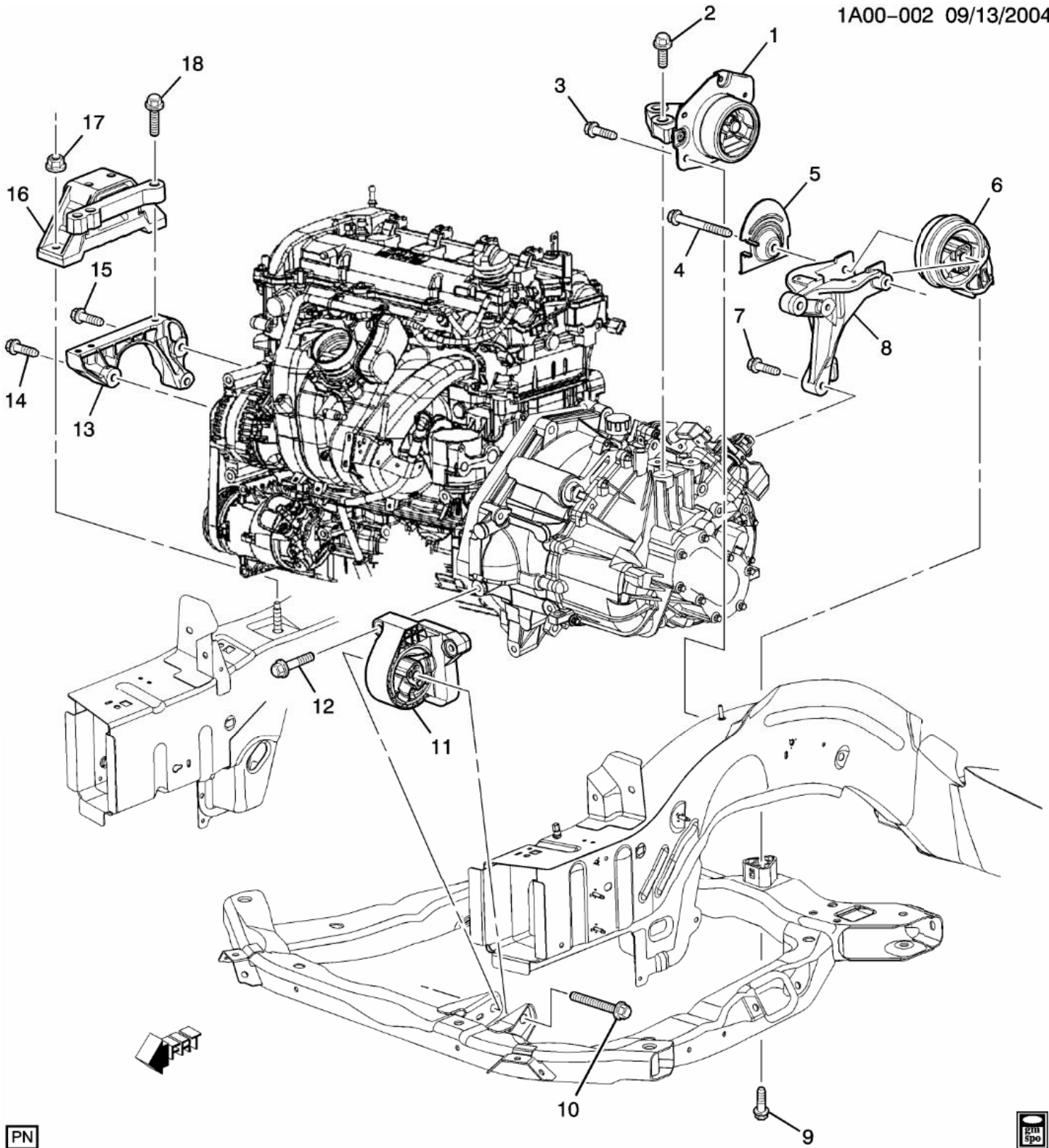
							y
516	03530297	08.917		NUT, HFH,M6X1,5.85THK,14. 2 O.D.,10,ZOR (INT MANIF) (Service Lane Part)		2009 - 2010	02
517	11589303	08.900		BOLT, HFH,M6X1X38, 30 THD, 14.2 OD, 8.8 STL, GMW3359,M-PT (INT MANIF) (Service Lane Part)		2009 - 2010	05
518	12597953	03.265		MANIFOLD, INT (INCLS 509) (Service Lane Part)	A (LAP)	2009 - 2010	01
519	12575836	03.270		GASKET, INT MANIF (OVAL SHAPE) (*KIT1) (ACDelco #12575836) (Service Lane Part)	A (LAP)	2009 - 2010	04
519	24455112	03.270		GASKET, INT MANIF (ROUND SHAPE) (*KIT1) (ACDelco #24455112) (Service Lane Part)	A (LAP)	2009 - 2010	04
520	12575851	01.745		SEAL, C/CASE VENT PASG (*KIT1) (Service Lane Part)	A (LAP)	2009 - 2010	01
521	90537426	03.275		STUD, INT MANIF (INT MANIF TO CYL HD) (Service Lane Part)	A (LAP)	2009 - 2010	02
522	11589054	08.981		STUD, STRAIGHT, M8X1.25X20, M8X1.25X16,W/ADH GM6175M,10.9,GM7111 M,HDR (EXH MANIF) (Service Lane Part)		2009 - 2010	10
523	12622668	03.270		GASKET, EXH MANIF (WITH SECONDARY AIR INJECTION) (Service Lane Part)	A (LAP)	2009 - 2010	01
524	10160364	03.613		STUD, EXH MANIF PIPE (10X1.5X9.5,10X1.5X26 .5)	A (LAP,NT7,NU1,NU6 ,M86,MN5)	2009 - 2010	03
525	12607724	03.601		MANIFOLD, EXH (Service Lane Part)	A (LAP)	2009 - 2010	01

							y
526	11609746	08.917		NUT, HFH,M8X1.25,8.9THK,1 7.6 O.D.,10 STL,GMW3200, PREV TORQUE (EXH MANIF) (Service Lane Part)		2009 - 2010	10
527	12587497	03.602		SHIELD, EXH MANIF UPR HT	A (LAP,NT7,NU1)	2009 - 2010	01
527	12603793	03.602		SHIELD, EXH MANIF UPR HT	A (LAP,NU6)	2009 - 2010	01
528	12615337	03.675		PIPE, SECD AIR INJN (INCLS 501) (MINI MANIFOLD) (ACDelco #219-593) (Service Lane Part)	A (LAP,NU6)	2009 - 2010	01
529	12605172	03.671		GASKET, SECD AIR INJN CHK VLV (ACDelco #12605172) (Service Lane Part)	A (LAP,NU6)	2009 - 2010	01
530	12623091	03.670		VALVE, SECD AIR INJN SHUTOFF & CHK (INCLS 532,533) (ACDelco #214-2150) (Service Lane Part)	A (LAP,NU6)	2009 - 2010	01
531	11519792	08.981		STUD, HEX,M8X1.25X16,M8X1 .25X20,8.8,GMW14CPT (EXH MANIF H/SHLD) (Service Lane Part)		2009 - 2010	03
532	11518792	03.671		RETAINER, SECD AIR INJN BYPASS VLV BOLT (PART OF 530) (FOR M6 BOLT,LENGTH 7MM,WALL THICKNESS 0.60,THERMOPLASTIC) (1.428) (Service Lane Part)	A (LAP)	2009 - 2010	02
533	11562426	08.900		BOLT, HFH,M6X1X25,18 THD,14.2 OD, 10.9 STL GMW3359 (PART OF 530) (Service Lane Part)		2009 - 2010	02

							y
534	11561936	03.671		STUD, SECD AIR INJN CHK VLV BRKT (M8X1.25X16,M8X1.25 X26.5,STEEL) (2.277) (Service Lane Part)	A (LAP)	2009 - 2010	01
535	11516076	08.917		NUT, PREVAILING TORQUE TENSION FLG HD (M8X1.25X17.4 OD (SECD AIR INJN CHK VLV BRKT) (Service Lane Part)		2009 - 2010	02
900	12611127	03.682		SENSOR, HTD OXY (POSN 1) (ACDelco #213-4195) (Service Lane Part)	A (LAP)	2009 - 2010	01
K01	12625772	00.289		GASKET KIT, CYL HD (INCLS 519,520 -SEE PART 2 FOR ADDITIONAL GASKETS INCLUDED) (Service Lane Part)	A (LAP)	2009 - 2010	01

C - Chevrolet >2010 >A - 1A1 - Cobalt >00 - 4-CYLINDER ENGINE >(1A00-002) 2009-2010 A ENGINE & TRANSMISSION MOUNTING-L4 (LAP/2.2H, MANUAL M86) >

1A00-002 09/13/2004



Make: Chevrolet

Year: 2010

Model: Cobalt

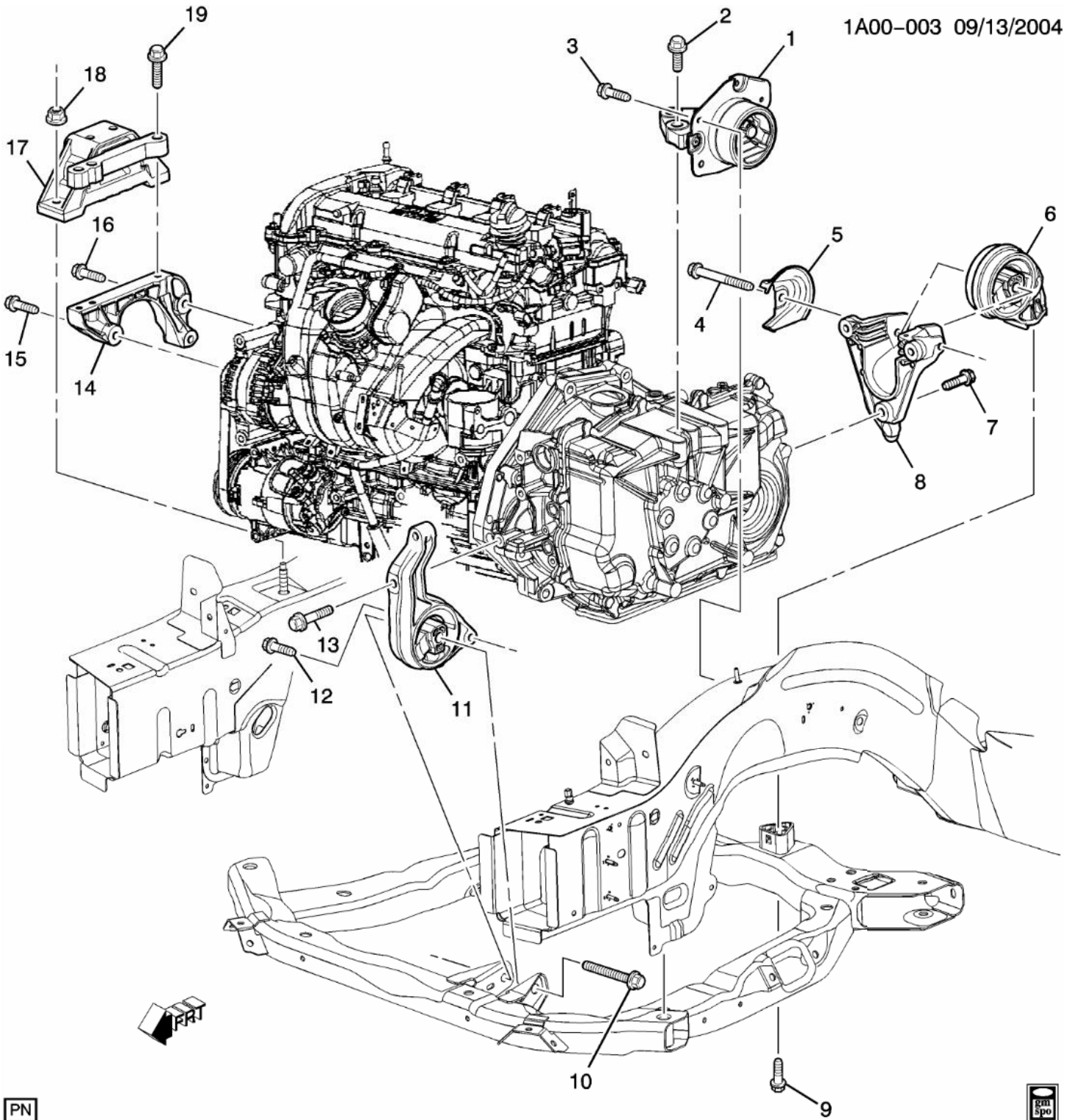
C - Chevrolet >2010 >A - 1A1 - Cobalt >00 - 4-CYLINDER ENGINE >(1A00-002) 2009-2010 A ENGINE & TRANSMISSION MOUNTING-L4 (LAP/2.2H, MANUAL M86) >

Call	Part #	Group	H	Description	Usage	Year	Qty
1	15835312	04.081		MOUNT, TRANS (YELLOW/ORANGE) (Service Lane Part)	A (M86)	2005 - 2010	01
2	11570514	00.002		BOLT, TRANS MT TRANS SI BRKT (Service Lane Part)		2005 - 2010	03
3	11519208	08.900		BOLT, WASHER,M8X1.25X50, 36 THD,24 OD,10.9,7114M,9MM DOG PT. (TRANS MT BR) (Service Lane Part)		2005 - 2010	04
4	11519207	04.085		BOLT, TRANS RR MT (Service Lane Part)	A	2005 - 2010	01
4	11519207	04.085		BOLT, TRANS RR MT (Service Lane Part)	A	2005 - 2010	01
5	15926212	04.081		SHIELD, TRANS RR MT HT (Service Lane Part)	A (M86)	2009 - 2010	01
6	25973869	04.081		MOUNT, TRANS RR (Service Lane Part)	A (M86)	2005 - 2010	01
7	11570514	00.002		BOLT, TRANS RR MT BRKT (Service Lane Part)		2005 - 2010	03
8	22729625	04.083		BRACKET, TRANS RR MT (Service Lane Part)	A (M86)	2005 - 2010	01
9	11589033	04.083		BOLT, TRANS RR MT BRKT (TO CRADLE) (Service Lane Part)	A	2005 - 2010	03
9	11589033	04.083		BOLT, TRANS RR MT BRKT (TO CRADLE) (Service Lane Part)	A	2005 - 2010	03
10	11519898	04.085		BOLT, TRANS FRT MT (THROUGH BOLT) (Service Lane Part)	A	2005 - 2010	01
10	11519898	04.085		BOLT, TRANS FRT MT (THROUGH BOLT) (Service Lane Part)	A	2005 - 2010	01
11	25973862	04.081		MOUNT, TRANS FRT (Service Lane Part)	A (M86)	2005 - 2010	01

							y
12	11515771	08.900		BOLT, HFH,REDUCED BODY,M10X1.5X55,30T HD,22.3 O.D.,10.9,7114 (TRANS FRT MT BRKT) (Service Lane Part)		2005 - 2010	03
13	15854396	00.029		ADAPTER, ENG MT BRKT (Service Lane Part)	A	2005 - 2010	01
14	11514280	08.900		BOLT, HFH,M12X1.75X65,30 THD,10.9,POR (ENG MT ADAP) (Service Lane Part)		2005 - 2010	02
15	11516330	08.900		BOLT, HFH,M12X1.75X40,33.85 THD,26.6 OD,10.9,7114M,MACH, HDR-PT (ENG MT ADAP) (Service Lane Part)		2005 - 2010	01
16	25974058	00.027		MOUNT, ENG (YELLOW) (ACDelco #25974058) (MUST BE USED T/W 15854396 BRACKET) (Service Lane Part)	A (M86)	2006 - 2010	01
17	03537772	08.900		NUT, M12X1.75,10.6THK,28 O.D.,10,7111M (ENG MT BRKT BR) (8.917) (Service Lane Part)		2005 - 2010	02
18	11570514	00.002		BOLT, ENG MT BRKT (Service Lane Part)		2005 - 2010	03

C - Chevrolet >2010 >A - 1A1 - Cobalt >00 - 4-CYLINDER ENGINE >(1A00-003) 2009-2010 A ENGINE & TRANSMISSION MOUNTING-L4 (LAP/2.2H, AUTOMATIC MN5) >

1A00-003 09/13/2004



PN



Make: Chevrolet

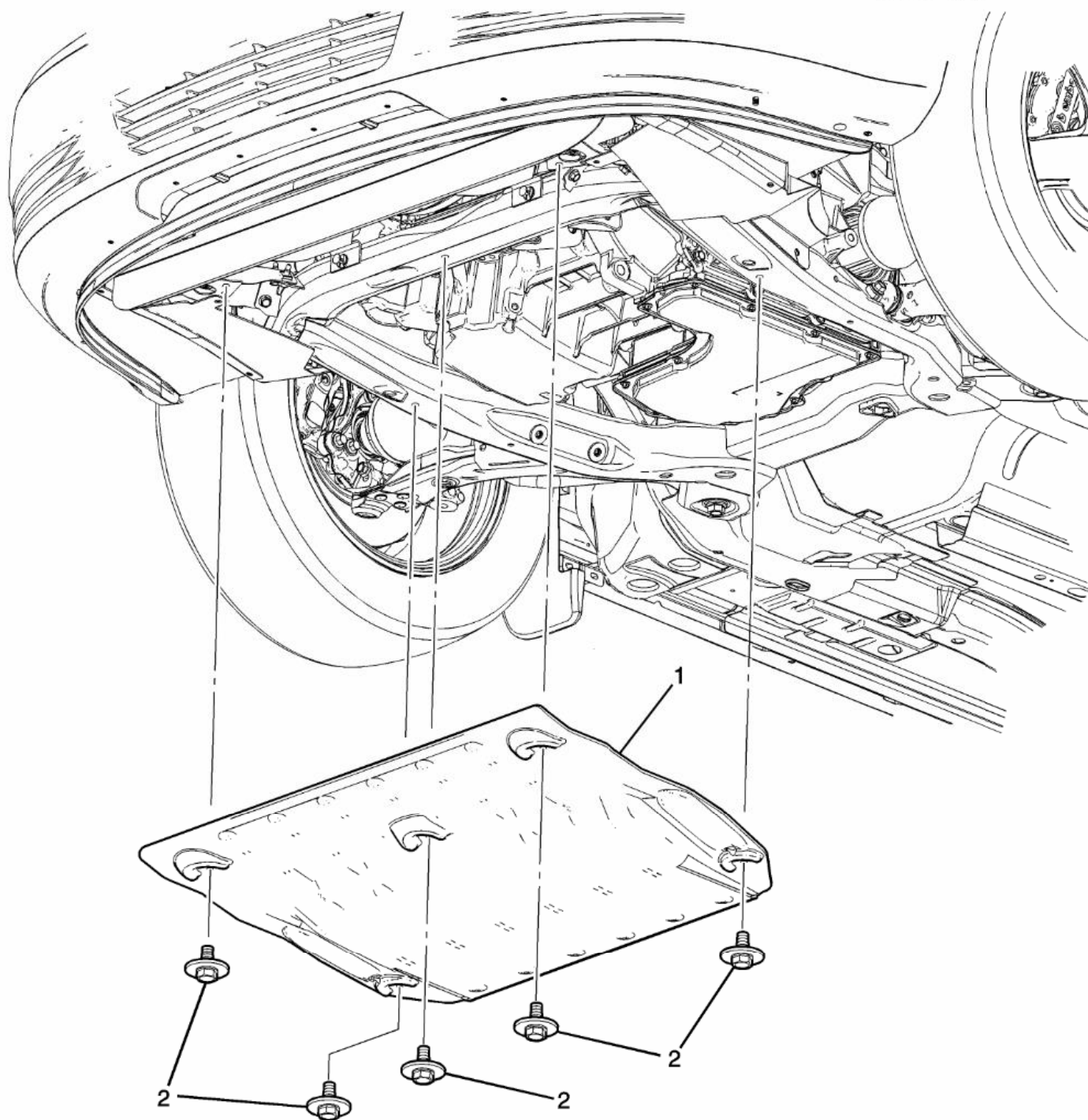
Year: 2010

Model: Cobalt

C - Chevrolet >2010 >A - 1A1 - Cobalt >00 - 4-CYLINDER ENGINE >(1A00-003) 2009-2010 A ENGINE & TRANSMISSION MOUNTING-L4 (LAP/2.2H, AUTOMATIC MN5) >

Call	Part #	Group	H	Description	Usage	Year	Qty
1	15835313	04.081		MOUNT, TRANS (PURPLE) (Service Lane Part)	A (MN5)	2007 - 2010	01
2	11570514	00.002		BOLT, TRANS MT TRANS SI BRKT (Service Lane Part)		2005 - 2010	03
3	11519208	08.900		BOLT, WASHER,M8X1.25X50, 36 THD,24 OD,10.9,7114M,9MM DOG PT. (TRANS MT BR) (Service Lane Part)		2005 - 2010	04
4	11519207	04.085		BOLT, TRANS RR MT (Service Lane Part)	A	2005 - 2010	01
4	11519207	04.085		BOLT, TRANS RR MT (Service Lane Part)	A	2005 - 2010	01
5	22710007	04.081		SHIELD, TRANS RR MT HT (Service Lane Part)	A (MN5)	2005 - 2010	01
6	25973870	04.081		MOUNT, TRANS RR (PURPLE) (Service Lane Part)	A (MN5)	2005 - 2010	01
7	11515778	08.900		BOLT, HFH,M12X1.75X45,40 THD,26.6 OD,10.9,7114M,P- POINT. (TRANS RR MT BRKT) (Service Lane Part)		2005 - 2010	03
8	15213494	04.083		BRACKET, TRANS RR MT (Service Lane Part)	A (MN5)	2005 - 2010	01
9	11589033	04.083		BOLT, TRANS RR MT BRKT (TO CRADLE) (Service Lane Part)	A	2005 - 2010	03
9	11589033	04.083		BOLT, TRANS RR MT BRKT (TO CRADLE) (Service Lane Part)	A	2005 - 2010	03
10	11519898	04.085		BOLT, TRANS FRT MT (THROUGH BOLT) (Service Lane Part)	A	2005 - 2010	01
10	11519898	04.085		BOLT, TRANS FRT MT (THROUGH BOLT) (Service Lane Part)	A	2005 - 2010	01

							y
11	25973863	04.081		MOUNT, TRANS FRT (Service Lane Part)	A (MN5)	2005 - 2010	01
12	11589279	08.900		BOLT, HFH,M12X1.75X85.9,45 THD,26.6 OD,10.9,GMW3359,MA CH,M-PT (TRANS FRT MT BRKT) (Service Lane Part)		2005 - 2010	01
13	11515780	08.900		BOLT, HFH,M12X1.75X55,35T HD,26.6 O.D.,MACH,10.9,7114M (TRANS FRT MT BRKT) (Service Lane Part)		2005 - 2010	02
14	15854396	00.029		ADAPTER, ENG MT BRKT (Service Lane Part)	A	2006 - 2010	01
15	11514280	08.900		BOLT, HFH,M12X1.75X65,30 THD,10.9,POR (ENG MT ADAP) (Service Lane Part)		2005 - 2010	02
16	11516330	08.900		BOLT, HFH,M12X1.75X40,33.8 5 THD,26.6 OD,10.9,7114M,MACH, HDR-PT (ENG MT ADAP) (Service Lane Part)		2005 - 2010	01
17	25974059	00.027		MOUNT, ENG (PURPLE) (USE T/W BRKT 15854396) (ACDelco #25974059) (Service Lane Part)	A (MN5)	2005 - 2010	01
18	03537772	08.900		NUT, M12X1.75,10.6THK,28 O.D.,10,7111M (ENG MT BRKT BR) (8.917) (Service Lane Part)		2005 - 2010	02
19	11570514	00.002		BOLT, ENG MT BRKT (Service Lane Part)		2005 - 2010	03



Make: Chevrolet

Year: 2010

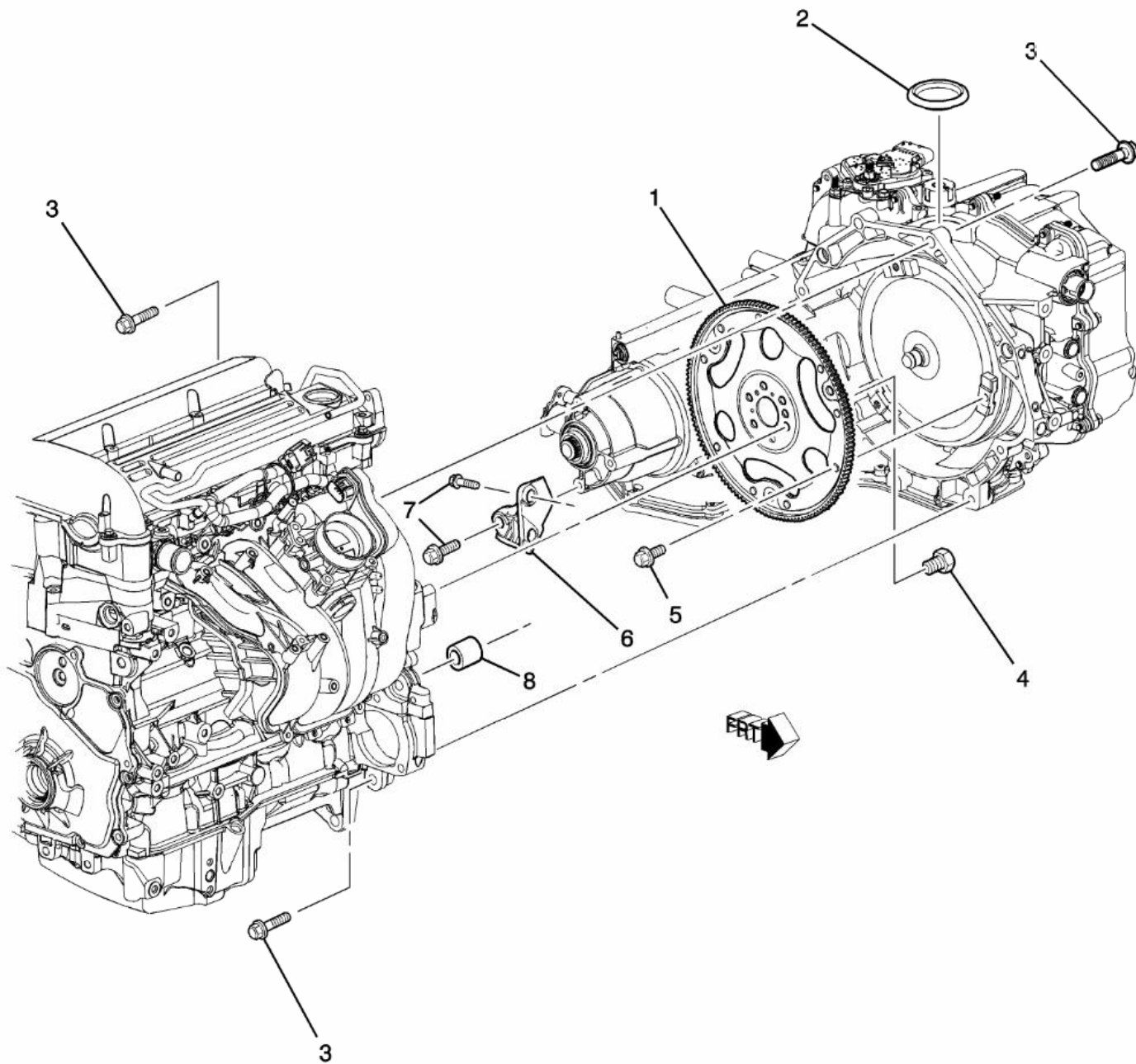
Model: Cobalt

C - Chevrolet >2010 >A - 1A1 - Cobalt >00 - 4-CYLINDER ENGINE >(MA00-007) 2009-2010 A SHIELD/ENGINE SPLASH (PZZ) >

Call	Part #	Group	H	Description	Usage	Year	Qty
1	25929131	00.206		SHIELD, ENG (INCLS 2) (INCLS BOLT/SCREW) (Service Lane Part)	A (PZZ)	2009 - 2010	01
2	11517560	08.977		SCREW, FLAT WA (NRW) AND HX WA HD, M8X1.25X25 (PART OF 1) (Service Lane Part)		2008 - 2010	05

C - Chevrolet >2010 >A - 1A1 - Cobalt >00 - 4-CYLINDER ENGINE >(GM00-035) 2009-2010 A ENGINE TO TRANSMISSION MOUNTING (LAP/2.2H, MN5) >

GM00-035 05/17/2006



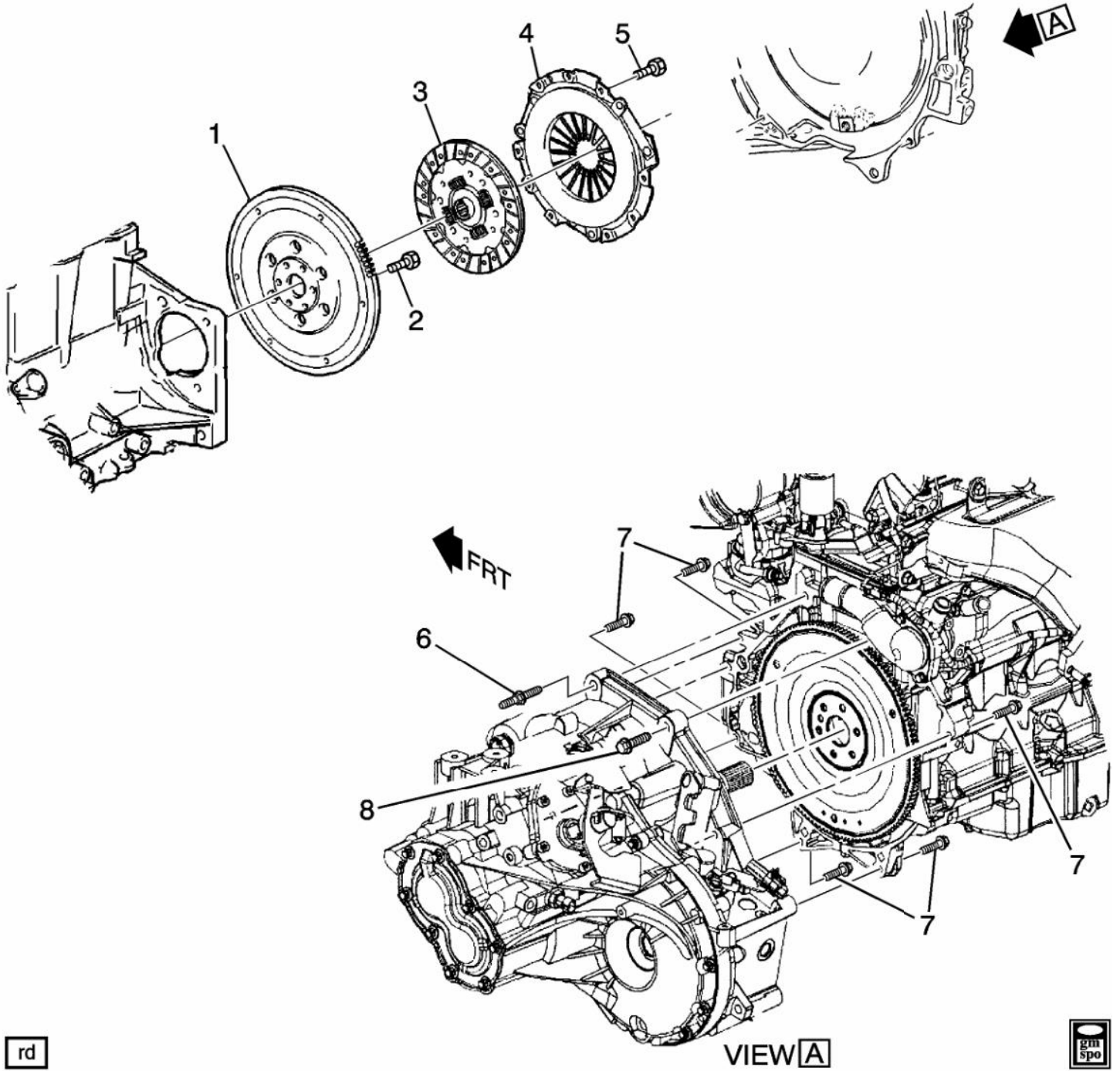
Make: Chevrolet

Year: 2010

Model: Cobalt

C - Chevrolet >2010 >A - 1A1 - Cobalt >00 - 4-CYLINDER ENGINE >(GM00-035) 2009-2010 A ENGINE TO TRANSMISSION MOUNTING (LAP/2.2H, MN5) >

Call	Part #	Group	H	Description	Usage	Year	Qty
1	12647333	00.666		PLATE, A/TRNS FLEX (Service Lane Part)	A (LAP,MN5)	2009 - 2010	01
2	24216910	04.104		COVER, T/CV HSG ACC HOLE (4.105) (Service Lane Part)	A (MN5)	2006 - 2010	01
3	11516331	08.900		BOLT, METRIC HVY HFH (M12X1.75X50) (PZOR) (TRANSAXLE) (Service Lane Part)		2006 - 2010	08
4	90236536	00.669		BOLT, A/TRNS FLEX PLT (M10X1.25X18) (Service Lane Part)	A (LAP,MN5)	2009 - 2010	06
5	11588468	04.115		BOLT, TRANSAXLE T/CV (M10X1.5X15) (Service Lane Part)	A (LAP)	2009 - 2010	03
6	24450984	04.081		BRACE, TRANSAXLE (Service Lane Part)	A (LAP,MN5)	2009 - 2010	01
7	11515767	08.900		BOLT, HFH,M10X1.5X35,32TH D,22.3 O.D.,MACH,10.9,7114M (TRANS BR BRKT) (T/W 12345493) (Service Lane Part)		2006 - 2010	04
8	90351708	00.685		PIN, TRANS LOC (18.5MM OD X12MM LONG) (0.219) (Service Lane Part)	A	2006 - 2010	02



rd

VIEW A



Make: Chevrolet

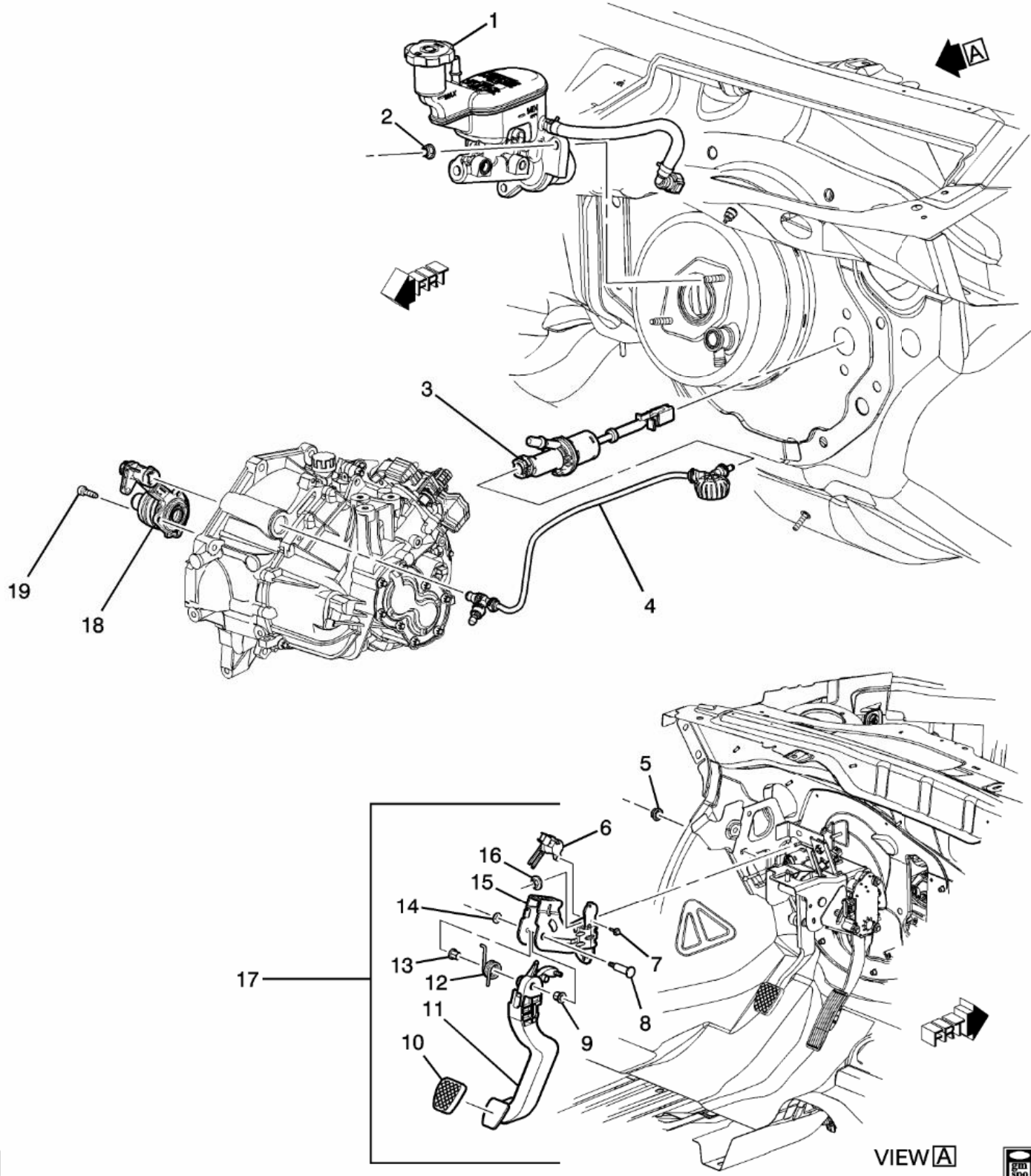
Year: 2010

Model: Cobalt

C - Chevrolet >2010 >A - 1A1 - Cobalt >00 - 4-CYLINDER ENGINE >(MN00-046) 2009-2010 A CLUTCH (LAP/2.2H, M86) >

Call	Part #	Group	H	Description	Usage	Year	Qty
1	90537283	00.666		FLYWHEEL, ENG (Service Lane Part)	A (LAP,M86)	2009 - 2010	01
2	11570626	00.669		BOLT, FLYWHL (M10X1.25X23.5) (Service Lane Part)	A (LAP,M86)	2009 - 2010	06
3	12582699	00.886		PLATE, CLU DRVN (Service Lane Part)	A (LAP,M86)	2009 - 2010	01
4	12582698	00.859		PLATE, CLU PRESS (W/CVR) (W/DRIVEN PLATE) (Service Lane Part)	A (LAP,M86)	2009 - 2010	01
5	11519056	00.862		BOLT, CLU PRESS PLT (M7X1.0X27.75) (Service Lane Part)	A (LAP,M86)	2009 - 2010	06
6	11561232	04.085		STUD, TRANSAXLE (M10X1.5X20,M12X1.75 X55) (Service Lane Part)	A (M86)	2006 - 2010	01
7	11516331	08.900		BOLT, METRIC HVY HFH (M12X1.75X50) (PZOR) (POSN 1,4,5,6,7) (Service Lane Part)		2005 - 2010	05
8	22649722	08.900		BOLT, HEX,M12X1.75X45,30 THD,10.9,POR (POSN 3) (Service Lane Part)		2005 - 2010	01

1A00-019 09/13/2007



bs



Make: Chevrolet

Year: 2010

Model: Cobalt

C - Chevrolet >2010 >A - 1A1 - Cobalt >00 - 4-CYLINDER ENGINE >(1A00-019) 2009-2010 A CLUTCH PEDAL & CYLINDERS (LAP/2.2H, M86) >

Call	Part #	Group	H	Description	Usage	Year	Qty
1	20762128	04.650		CYLINDER, BRK MAS (SEE GROUP 04.000 "BRAKE MASTER CYLINDER" FOR DETAILED ILLUSTRATED VIEW) (ACDelco #174-1194) (Service Lane Part)	A37-69 (M86,JL4)	2009 - 2010	01
1	20762129	04.650		CYLINDER, BRK MAS (SEE GROUP 04.000 "BRAKE MASTER CYLINDER" FOR DETAILED ILLUSTRATED VIEW) (ACDelco #174-1195) (Service Lane Part)	A (M86,JM4,J41)	2009 - 2010	01
2	11609746	08.917		NUT, HFH,M8X1.25,8.9THK,1 7.6 O.D.,10 STL,GMW3200, PREV TORQUE (BRK M/CYL) (Service Lane Part)		2008 - 2010	02
3	24246918	00.775		CYLINDER, CLU MAS (Service Lane Part)	A (M86)	2008 - 2010	01
4	12582665	00.785		HOSE, CLU ACTR CYL (Service Lane Part)	A (M86)	2008 - 2010	01
5	11516076	08.917		NUT, PREVAILING TORQUE TENSION FLG HD (M8X1.25X17.4 OD (CLU PED PIV) (Service Lane Part)		2008 - 2010	01
6	13583976	00.830		SENSOR, CLU PED POSN (PART OF 17) (AT BRK PED) (4.625) (ACDelco #13583976) (Service Lane Part)	A (M86)	2008 - 2010	01
7	11609999	08.900		SCREW, HEX HD FL WA,M4X0.7X20,13 THD,12 OD,9.8,GMW3044, W/NYLON (PART OF 17) (Service Lane Part)		2008 - 2010	01

							y
8	22688915	00.852		BOLT, CLU LVR PIV (PART OF 17) (0.833) (Service Lane Part)	A (M86)	2008 - 2010	01
9		NS		BUSHING, CLU PED PIV (PART OF 17)		2009 - 2010	
10	22697428	04.630		PAD, CLU PED (PART OF 17) (Service Lane Part)	A (M86)	2008 - 2010	01
11		NS		PEDAL, CLU (PART OF 17)		2009 - 2010	
12	25861528	00.844		SPRING, CLU PED RTN (PART OF 17) (Service Lane Part)	A (M86)	2008 - 2010	01
13		NS		BUSHING, CLU PED PIV (PART OF 17)		2009 - 2010	
14	25861532	00.833		RETAINER, CLU PED PIV NUT (PART OF 17) (Service Lane Part)	A (M86)	2008 - 2010	01
15		NS		BRACKET, CLU PED (PART OF 17)		2009 - 2010	
16	11514517	08.917		NUT, HEX,W/CON SPR WA,M6X1,5.7THK,18 O.D.,9,7111M (CLU PED BRKT) (Service Lane Part)		2008 - 2010	02
17	25903229	00.830		PEDAL, CLU (W/BRKT) (INCLS 6-15) (Service Lane Part)	A (M86)	2008 - 2010	01
18	12582666	00.780		CYLINDER, CLU ACTR (INCLS BRG) (INCL RET TO ATTACH HOSE TO SLAVE CLYLINDER) (Service Lane Part)	A (M86)	2008 - 2010	01
19	93368576	00.780		BOLT, CLU ACTR CYL (Service Lane Part)	A (M86)	2008 - 2010	03